

1

Safety Information

○ Note ○ Warning



Caution against moisture.



Do not disassemble or modify.



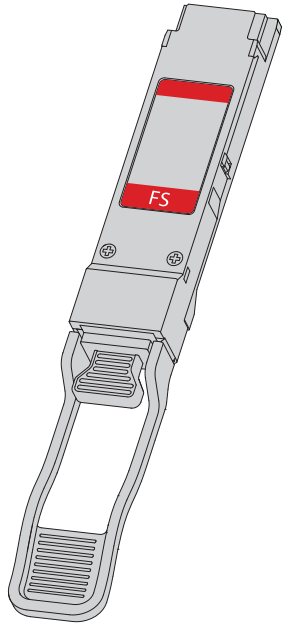
The transceiver can only be installed or replaced by qualified personnel.



Please wear antistatic gloves.

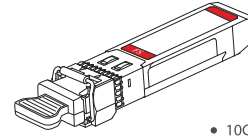


Never look into fiber ports.

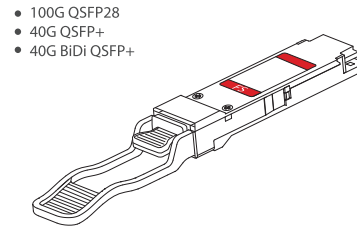


2

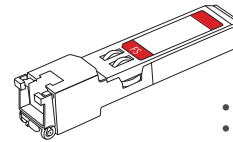
Product View



- 10G SFP+
- BiDi SFP+
- CWDM / DWDM SFP+
- 1000 BASE SFP

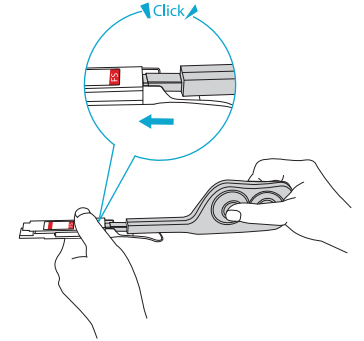
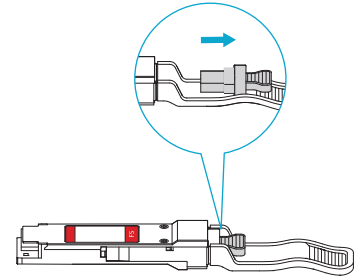


- 100G QSFP28
- 40G QSFP+
- 40G BiDi QSFP+



- 1000 BASE-T SFP
- 10G BASE-T SFP+

3

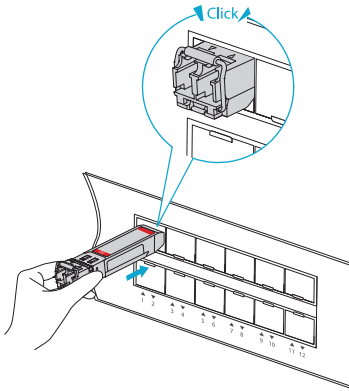


TRANSCEIVERS

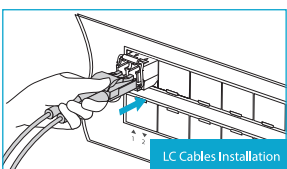
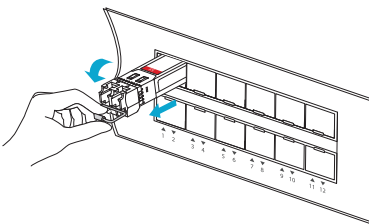
OPTICAL TRANSCEIVERS

Quick Start Guide V1.0

4

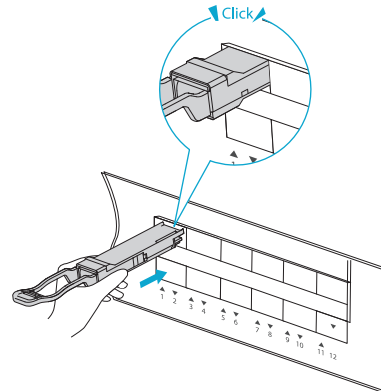


NOTE: Line up the module with the port and slide it gently into the port until the lock is fully seated.

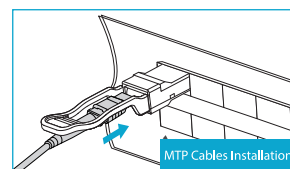
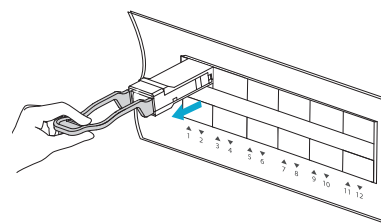


LC Cables Installation

5



NOTE: When inserting a QSFP+ module, the label needs to face down.



MTP Cables Installation

6

Product Warranty

FS ensures our customers that any damage or faulty items due to our workmanship, we will offer a free return within 30 Days from the day you receive your goods. For Fiber Optic Transceivers, we also offer replacement service if there are any quality issues within 1 year.



Warranty: All Fiber Optic Transceivers enjoy 5 years limited warranty against defect in materials or workmanship. For more details about warranty, please check at <https://www.fs.com/policies/warranty.html>



Return: If you want to return item(s), information on how to return can be found at https://www.fs.com/policies/day_return_policy.html