

PSD248T12HOMV

Ballast Type: Electronic
 Input Voltage: 120 thru 277VAC ±10%
 Input Frequency: 50/60 Hz.

Starting Method: Programmed
 Lamp Connection: Series
 Unit Color: Black

Unit Weight: 3.5 lb.
 Carton Quantity: 10
 Skid Quantity: 480

ELECTRICAL SPECIFICATION:

Line Voltage (V)	Lamp Type	Lamp Watts	No. of Lamps	Line Current (A)	Input Power (W)	Power Factor	Max Current THD (%)	Current Crest Factor	Ballast Factor	Wiring Diagram	B.E.F.
120	F96T12HO	110	1	1.09	130	≥0.99	≤10	≤1.6	1.00	15B	0.77
277				0.46							
120	F96T12HOES	95	1	0.86	102	≥0.99	≤10	≤1.6	1.00	15B	0.98
277				0.37							
120	F84T12HO	100	1	0.96	115	≥0.99	≤10	≤1.6	1.00	15B	0.87
277				0.43							
120	F72T12HO	85	1	0.77	90	≥0.99	≤10	≤1.6	1.00	15B	1.11
277				0.33							
120	F60T12HO	75	1	0.70	82	≥0.98	≤10	≤1.6	1.00	15B	1.22
277				0.30							
120	F48T12HO	60	1	0.54	65	≥0.98	≤10	≤1.6	1.00	15B	1.54
277				0.24							
120	F48T12HO	60	2	1.05	126	≥0.99	≤10	≤1.6	1.00	15B	0.79
277				0.46							
120	F48T12HOES	55	1	0.46	55	≥0.99	≤10	≤1.6	0.93	15B	1.69
277				0.20							
120	F48T12HOES	55	2	0.89	105	≥0.99	≤10	≤1.6	0.93	15B	0.89
277				0.37							
120	F24T12HO	35	1	0.29	35	≥0.98	≤12	≤1.6	1.05	15B	3.00
277				0.14							
120	F24T12HO	35	2	0.56	66	≥0.98	≤10	≤1.6	1.01	15B	1.53
277				0.24							
120	F36T12HO	45	1	0.44	52	≥0.98	≤10	≤1.6	1.03	15B	1.98
277				0.20							
120	F36T12HO	45	2	0.81	97	≥0.98	≤10	≤1.6	1.00	15B	1.03
277				0.36							

PERFORMANCE:

- High efficiency electronic ballast
- Programmed start
- Series operation
- High power factor
- Encased & potted
- Sound rated A
- All-star EOL protection:
- Internal surge protection
- Meets FCC Part 18 (Class A) for EMI and RFI non-consumer limits
- Meets ANSI standard C82.11 and C62.41

APPLICATION:

- Maximum case temperature: 194°F/90°C
- Maximum ambient temperature: 140°F/60°C
- Minimum ambient temperature: -22°F/-30°C
- Minimum starting temperature for ES lamps: 60°F/16°C □
- Not recommended for extreme temperature variations
- Lamp starts: >50,000 starts
- Remote mounting: 18 ft.
- Compatible with leading manufacturers of Emergency Battery Packs

SAFETY:

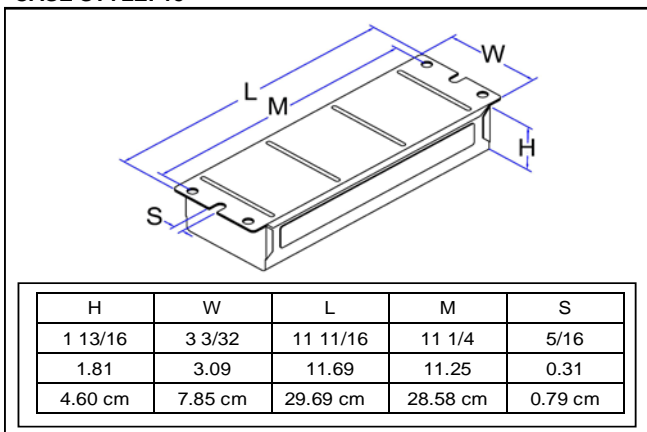
- UL/935 (Class P, Type HL, Type 1 outdoor) listed
- CSA/C22.2 certified
- RoHS Compliant
- No PCB's

U.S. PATENT NUMBERS:

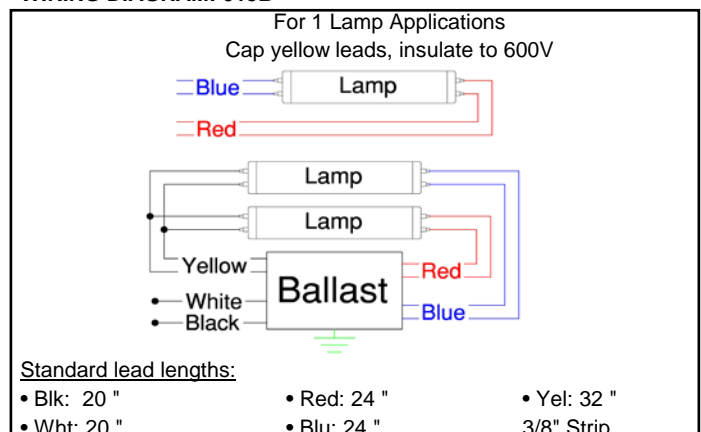
6,366,032 B1 ; 6,420,838 B1 ; 5,436,529

Please consult lamp manufacturer's data regarding Lumen Output vs. Ambient temperature

CASE STYLE: 15



WIRING DIAGRAM: 015B



WARRANTY:

Robertson Worldwide warrants to the purchaser that this ballast will be free from defects in material or workmanship for a period of 5 years from date of manufacture when properly installed and under normal conditions of use. For more information on Robertson Worldwide's ballasts, call 1-800-323-5633 or visit www.robertsonww.com. Specifications subject to change without notice

Revised 8/26/2013