

# MLED-150Ex

## 10NM External Powered Marine Lantern



TIDELAND ENGINEERED

MLED-150Ex brings the benefits of LED technology, low power, high reliability and low maintenance, to the Zone 1 environment. The flasher and optical source assembly, designated MaxiHALO-150, is designed after the proven MaxiHALO-60. The MaxiHALO-150 is installed in a rugged Exd well glass housing used in the rigors of offshore atmospheres. The MLED-150Ex is compatible with current Tideland Signal lanterns and is configurable as a Secondary (Standby) light. When used in a main and secondary pair installation, the Secondary light monitors the Main light and, upon failure, automatically begins operation. Onboard software constantly monitors operation of the MLED-150Ex and initiates an alarm signal if critical operation parameters are exceeded. The MLED-150Ex produces an omnidirectional beam of 10 NM visual range with  $T = 0.74$  (16 NM with  $T = 0.85$ ).

---

### FEATURES

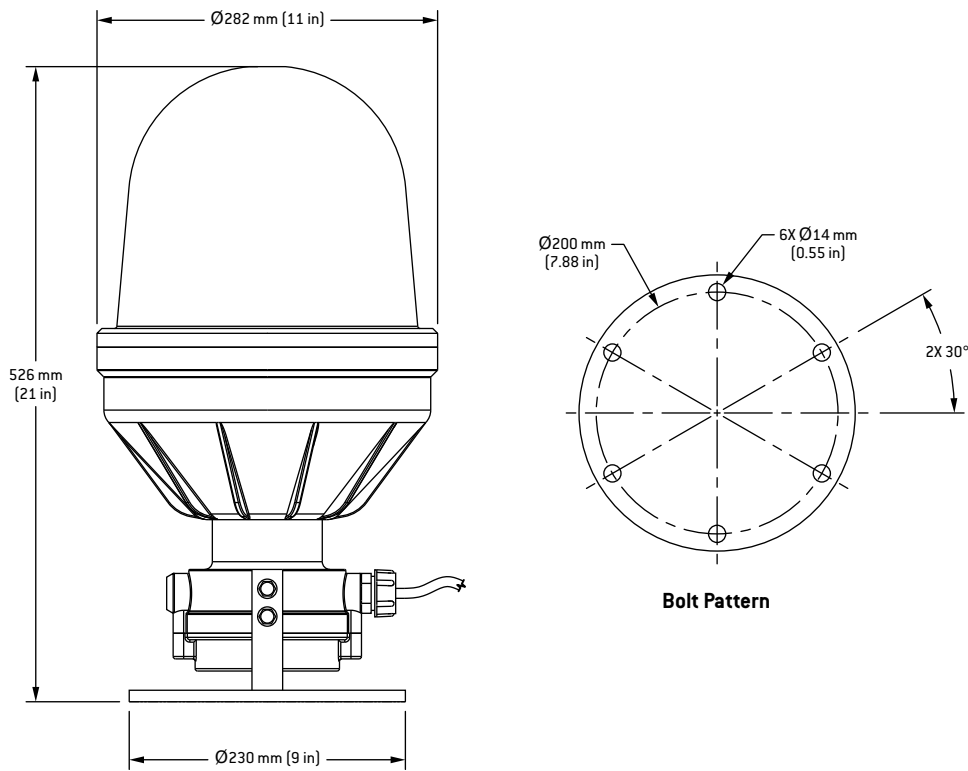
---

- User selectable power settings
- 256 user selectable flash characters
- Temperature compensated LED drive circuits ensure uniform brightness with changes in ambient temperature
- Full monitor and control capability
- Fail output terminal for go/nogo monitoring
- Constant current power source maximises LED life
- Optional GPS synchronisation module



MLED-150Ex is ideal for use as a Secondary light or as a standalone 10 NM light for use in hazardous gas environments like LNG terminals and jetties. Fitted with a MaxiHALO-150 Red flasher, MLED-150Ex can be used as a subsidiary lantern.

---



## SPECIFICATIONS

Input Voltage	9 to 36 VDC
Power Consumption	Variable up to 20 Watts
Power Setting	Field Selectable
Colours Available	Red, green, yellow, white and blue
Quiescent Current	< 7mA
Visibility	360° horizon (omnidirectional)
Vertical Divergence	3.7°
Monitor and Control	Capable
Flash Codes	256 codes
Synchronisation	GPS or hardwire options
Sunswitch Threshold	Variable
Weight	15kg (33lb)
Operating Temperature	-40° to +60°C
Relative Humidity	100% condensing
Atmosphere	Rated for operation in salt air
Wind	Designed to withstand speeds in excess of 320kmph (200mph)
IP Rating	IP66

NOTE: Specifications are subject to change.



ISO 9001:2008  
Certificate  
Number: 30061

ISO 9001:2008

Tideland Signal Corporation maintains ISO 9001:2008 accreditation. It is company policy to provide products and services that meet the highest standards of quality in the industry.

### Membership Organisations



© Tideland Signal Corporation 2011  
BD14R02