



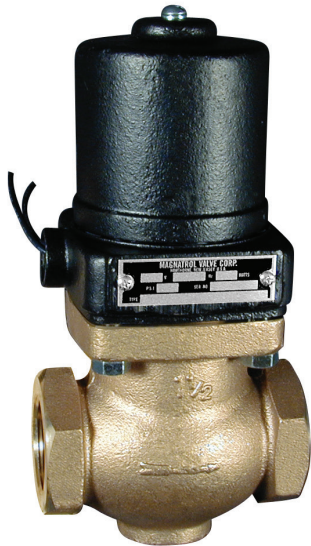
BRONZE SOLENOID VALVES

Dependable • Packless

TYPE "S" FULL PORT - NORMALLY CLOSED 1/2" TO 3" PIPE SIZE

NO DIFFERENTIAL PRESSURE REQUIRED TO OPEN

MAX. FLUID TEMP.
400° F
MAX. STATIC PRESSURE
200 PSI

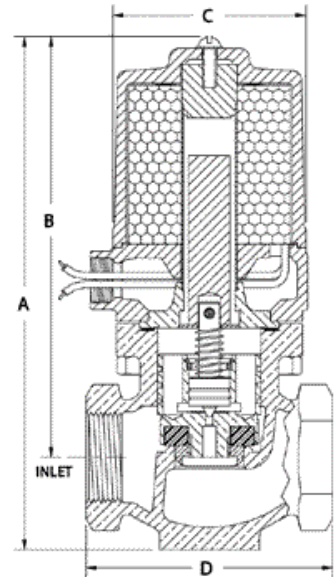


OPERATION:

Valve opens when energized and closes when de-energized. When the coil is energized the pilot valve opens, relieving the pressure above the piston, which is then lifted from its seat by the plunger. Upon de-energizing the coil, a spring closes the pilot valve and opens a bleed passageway to permit pressure to build above the piston and seat it.

CONSTRUCTION: (* Wetted parts)

- *Valve Body - Cast Bronze, Globe Pattern - NPT ends
- *Piston - Bronze
- Coil Enclosure - Malleable or Cast Iron, 1/2" NPS conduit conn.
- *Plunger - 430 Stainless Steel
- *Pilot Valve - 303 Stainless Steel
- *Bonnet Tube - 304 Stainless Steel
- *Spring - Inconel
- *Body Seal - Non Asbestos Gasket
- *Orifice Seal - Glass Filled Teflon
- *AC Shading Coil - Copper
- *Stem Pin - Inconel
- Coil - Encapsulated Class H, 18" leads



FOR OPTIONS & ACCESSORIES
SEE PAGES 26 & 27

APPLICATION:

TO CONTROL THE FLOW OF STEAM. Steam must be free of sediment. Valve operates from zero to maximum differential pressure indicated in table. Valve must be mounted in horizontal pipe with solenoid enclosure vertical and on top.

Pipe Size Inches	Max Diff. PSI	Type No.	Watts AC	Amps Hold 120-60	Amps Inrush 120-60	Watts DC	Ship Wt. Lbs.	Dimension In Inches										
								A	B	C	D	D(Flanged) 150#						
1/2	90	† 14S22	25	0.4	1.2	18	8	7	5-7/8	2-7/8	3-1/4	4-3/4						
	140	†114S42	40	0.6	1.8	28		8	6-7/8	3-1/2	3-1/4	N/A						
	180	129S42	65	1.2	3.6	33		11	8-1/8	7	3-1/2	3-1/2	N/A					
3/4	50	† 14S23	25	0.4	1.3	18	9	7-1/8	6	2-7/8	3-1/2	5-1/2						
	110	†114S43	40	0.6	2.0	28		8-1/8	7	3-1/2	3-1/2	N/A						
	180	129S43	65	1.2	3.9	33		12	8-1/8	7	3-1/2	3-1/2	N/A					
1	25	† 16S14	25	0.4	1.5	18	11	8	6-5/8	3-1/4	4-1/2	5						
	50	†116S24	40	0.6	2.3	28		14	8-7/8	7-1/2	3-1/2	4-1/8	N/A					
	90	†116S44																
	180	131S44																
25	† 17S15	25	0.4	1.6	18	12	8-3/8							6-3/4	3-1/2	4-1/2	7	
50	†117S25	40	0.6	2.4	28													
140	132S45	65	1.2	4.8	33			16	9-3/8	7-3/4	3-5/8	4-1/2						
180	††140S45	85	2.0	9.2	N/A			20	10-3/8	8-3/4	4-1/2	4-1/2	N/A					
1-1/2	25	35S16	45	0.8	3.2	23	20	10	8-1/8	4	4-7/8	7-3/4						
	50	35S26																
	90	135S46	65	1.2	4.8	33							24	11	9-1/8	4-1/2	4-7/8	N/A
	180	141S46	85	2.0	11.0	45												
2	25	36S17	45	0.8	3.5	23	31	11	8-3/4	5-3/8	6	8						
	50	36S27																
	115	42S47	60	1.2	7.4	35							36	12	9-3/4	5-3/8	6	N/A
	180	142S47	85	2.0	11.0	45												
2-1/2	25	43S18	60	1.2	8.0	35	43	12-7/8	10-1/8	5-7/8	7-1/4	11						
	50	43S28																
	115	43S48	85	2.0	12.0	45							56	13-3/4	10-1/2	6-5/8	8-3/8	9-1/2
	175	143S48																
3	25	44S19	60	1.2	8.8	35	56	13-3/4	10-1/2	6-5/8	8-3/8	9-1/2						
	50	44S29																
	100	44S49	85	2.0	13.0	45							N/A	N/A	N/A	N/A	N/A	
	150	144S49																

Strainers are recommended for use with solenoid valves (See page 19)

When you order please supply the following:

- Pipe Size
- Valve Type
- Voltage (AC or DC)
- Hertz
- Fluid
- Fluid Temperature
- Max. Diff. Pressure
- Optional Features

† UL Listed Valves - Consult Factory †† Not available for DC operation