

PB manual call point range

Ex de, Ex ia, weatherproof



Overview

These new and improved manual alarm call points have been designed for use in hazardous locations and harsh environmental conditions.

The GRP enclosure is suitable for use onshore or offshore where light weight combined with a high level of corrosion resistance is required.

The unit is now supplied with a lift flap that latches firmly in place (not available for turn and push version).

Features

- ATEX certified
- IECEx certified
- UL certified for Haz locs
- UL certified for Ord locs
- Chinese (CCC) certified
- Brazilian (INMETRO) certified
- CCOE certified
- DNV type approval (IEC 60945)
- SIL 2 certified
- IP66 and IP67
- Corrosion free GRP construction
- Variety of colours available
- Up to 9 terminals available
- Optional LED – indicates that the unit has been operated
- Earth continuity option for metal glands
- 1 or 2 changeover switches
- Captive cover screws
- Lift flap as standard (not available for turn and push version)
- Latching as standard. Self reset (momentary) available



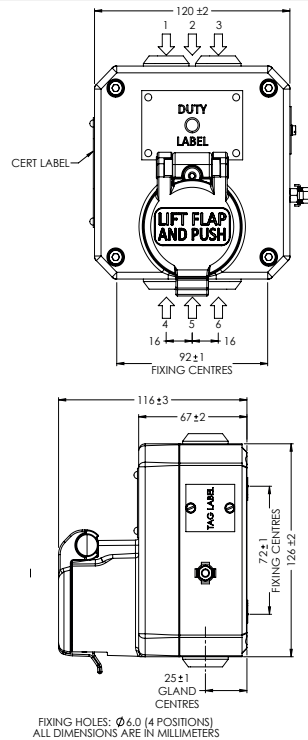
Certifications

ATEX Ex de	Cert. no. BAS02ATEX2105X. ATEX Approved Ex II 2GD Certified to: EN60079-0, EN60079-1, EN60079-7, EN60079-18, EN60079-31 Ex db eb IIC T6 Gb, Ex tb IIIC T85°C Db (switch only) Ex db eb mb IIC T6 Gb, Ex tb IIIC T85°C Db (with LED) Ex db eb mb IIC T4 Gb, Ex tb IIIC T135°C Db (with resistors & diodes)
ATEX Ex ia	Cert. no. Baseefa 03ATEX0084X. ATEX Approved Ex II 1GD Certified to: EN60079-0, EN60079-11 Ex ia IIC T4 Ga, Ex ia IIIC T135°C Da
IECEX Ex de	Cert. no. IECEX BAS 18.0100X. Certified to: IEC60079-0, IEC60079-1, IEC60079-7, IEC60079-18, IEC60079-31 Ex db eb IIC T6 Gb, Ex tb IIIC T85°C Db (switch only) Ex db eb mb IIC T6 Gb, Ex tb IIIC T85°C Db (with LED) Ex db eb mb IIC T4 Gb, Ex tb IIIC T135°C Db (with resistors & diodes)
IECEX Ex ia	Cert. no. IECEX BAS 12.0093X Certified to: IEC 60079-0, IEC 60079-11 Ex ia IIC T4 Ga, Ex ia IIIC T135°C Da
UL	Listing no. E186629 UL listed to Class 1, Div 2. Groups A,B,C & D UL listed for Ordinary Locations. Listing no. S8117
CSA	Cert. no. 79120-3. Class 1 groups A,B,C & D
INMETRO Ex de	Ex db eb IIC T6 Gb, Ex tb IIIC T85°C Db (switch only) Ex db eb mb IIC T6 Gb, Ex tb IIIC T85°C Db (with LED) Ex db eb mb IIC T4 Gb, Ex tb IIIC T135°C Db (with resistors & diodes)
CCC Ex de	Ex de IIC T6 (switch only), Ex de mb IIC T4 (other versions)
CCC Ex ia	Ex ia IIC T4
Type Approvals	American Bureau of Shipping type approval (ABS) PBI only DNV (IEC 60945)
SIL	SIL2 Certification to IEC61508. Cert no. 20151118-4786827453

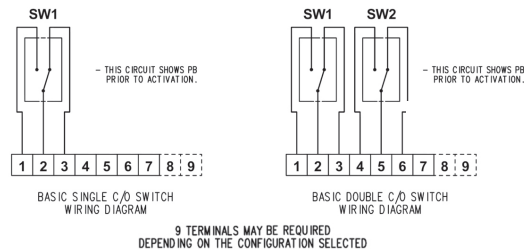
Specifications

Material	Anti-static UV resistant glass reinforced polyester
Finish	Red painted finish as standard or to customer specification
Voltage	Up to 250Vac. Up to 50Vdc (model dependent)
Weight	1.2 kg. (Varies with models and entries)
Ingress protection	IP66 & IP67
Entries	Up to 4 entries, M16 or M20 top and bottom (1/2" NPT available on UL version)
Terminals	7 x 2.5mm ² – standard 9 x 2.5mm ² optional – up to 60V only
Resistors	Various configurations available on versions up to 24V and all 'IS' versions. (Minimum Resistor value 100ΩPBE, 470ΩPBI)
Earth continuity	Internal and external earth continuity is provided with an optional earth plate
LED indication	A high intensity red LED can be fitted as an optional extra to indicate operation on versions up to 24V and all 'IS' versions As standard the LED is not provided with over current protection. The forward current (If) should be limited to 20mA
Labelling	Duty label – worded to customers requirements. Riveted on Tag label – worded to customers requirements. Screwed on
Switch ratings (1 or 2 changeover switches fitted)	Switch only 30Vdc 5A (resistive) or 3A (inductive) 30-50Vdc 1A (resistive or inductive) 250Vac 5A (resistive or inductive) LED 24Vdc 0.05A Resistor(s) 24Vdc 0.05A

General arrangement drawing (all dimensions in mm)



PB standard wiring configuration



Temperature

Model	PBW	PBUL	PBE	PBI	CSA
	-40°C to +70°C	-25°C to +55°C†	-40°C to +70°C*	-40°C to +70°C	-30°C to +40°C

* -35°C to +70°C with LED
† -25°C to +50°C with resistors or LED fitted

Ordering requirements

The following code is designed to help in selection of the correct unit. Build up the reference number by inserting the code for each component into the appropriate box

Model	Certification	Entries	Labels	Voltage	Switches	Options	Terminals	Finish																																																			
PB																																																											
<table border="1"> <tr> <th>Entries</th> <th>Code</th> </tr> <tr> <td>M16</td> <td>A*</td> </tr> <tr> <td>M20</td> <td>B*</td> </tr> <tr> <td>1/2" NPT</td> <td>C*</td> </tr> </table> <p>*Prefix entry size (see diagram above) with entry position code e.g. 4B6B. UL versions only available with 1/2" NPT entries</p>		Entries	Code	M16	A*	M20	B*	1/2" NPT	C*	<table border="1"> <tr> <th>Label</th> <th>Code</th> </tr> <tr> <td>None</td> <td>0</td> </tr> <tr> <td>Duty label reqd</td> <td>4*</td> </tr> <tr> <td>Tag label reqd</td> <td>5*</td> </tr> <tr> <td>Burning house duty label</td> <td>8</td> </tr> </table> <p>*Specify wording on 4 or 5 as required</p>		Label	Code	None	0	Duty label reqd	4*	Tag label reqd	5*	Burning house duty label	8	<table border="1"> <tr> <th>Switches</th> <th>Code</th> </tr> <tr> <td>Single changeover</td> <td>S</td> </tr> <tr> <td>Double changeover</td> <td>D</td> </tr> </table>		Switches	Code	Single changeover	S	Double changeover	D	<table border="1"> <tr> <th>Terminals</th> <th>Code</th> </tr> <tr> <td>7 x 2.5mm (standard)</td> <td>7</td> </tr> <tr> <td>9 x 2.5mm (optional)</td> <td>9</td> </tr> </table>		Terminals	Code	7 x 2.5mm (standard)	7	9 x 2.5mm (optional)	9	<table border="1"> <tr> <th>Option</th> <th>Code</th> </tr> <tr> <td>None</td> <td>N</td> </tr> <tr> <td>LED</td> <td>A</td> </tr> <tr> <td>Resistor series</td> <td>C*</td> </tr> <tr> <td>Resistor EOL</td> <td>D*</td> </tr> <tr> <td>Diode</td> <td>E‡</td> </tr> <tr> <td>Earth continuity</td> <td>F**</td> </tr> <tr> <td>Turn and push</td> <td>T‡</td> </tr> <tr> <td>Self reset (momentary)</td> <td>M</td> </tr> <tr> <td>Resistor series and EOL</td> <td>S†</td> </tr> </table> <p>*Specify values **Must be selected when selecting CSA certification ‡Choose for PBE only - on the PBW, choose C & D ‡Not available for UL/CSA versions</p>		Option	Code	None	N	LED	A	Resistor series	C*	Resistor EOL	D*	Diode	E‡	Earth continuity	F**	Turn and push	T‡	Self reset (momentary)	M	Resistor series and EOL	S†
Entries	Code																																																										
M16	A*																																																										
M20	B*																																																										
1/2" NPT	C*																																																										
Label	Code																																																										
None	0																																																										
Duty label reqd	4*																																																										
Tag label reqd	5*																																																										
Burning house duty label	8																																																										
Switches	Code																																																										
Single changeover	S																																																										
Double changeover	D																																																										
Terminals	Code																																																										
7 x 2.5mm (standard)	7																																																										
9 x 2.5mm (optional)	9																																																										
Option	Code																																																										
None	N																																																										
LED	A																																																										
Resistor series	C*																																																										
Resistor EOL	D*																																																										
Diode	E‡																																																										
Earth continuity	F**																																																										
Turn and push	T‡																																																										
Self reset (momentary)	M																																																										
Resistor series and EOL	S†																																																										
<table border="1"> <tr> <th>Certification</th> <th>Code</th> <th>Certification</th> <th>Code</th> </tr> <tr> <td>ATEX/CENELEC - Ex de</td> <td>EB</td> <td>CCC - Ex de</td> <td>EQ*</td> </tr> <tr> <td>ATEX/CENELEC - Ex ia</td> <td>IB</td> <td>CCC - Ex ia</td> <td>IQ*</td> </tr> <tr> <td>IECEX - Ex ia</td> <td>IJ</td> <td>INMETRO - Ex de</td> <td>EM</td> </tr> <tr> <td>IECEX - Ex de</td> <td>EJ</td> <td>Uncertified</td> <td>WN</td> </tr> <tr> <td>CSA - Ex ia</td> <td>IC</td> <td></td> <td></td> </tr> <tr> <td>UL - Listed</td> <td>UL</td> <td></td> <td></td> </tr> <tr> <td>UL (Ordinary Locations)</td> <td>UW</td> <td></td> <td></td> </tr> </table> <p>*Not suitable for use in China on fire alarm systems</p>		Certification	Code	Certification	Code	ATEX/CENELEC - Ex de	EB	CCC - Ex de	EQ*	ATEX/CENELEC - Ex ia	IB	CCC - Ex ia	IQ*	IECEX - Ex ia	IJ	INMETRO - Ex de	EM	IECEX - Ex de	EJ	Uncertified	WN	CSA - Ex ia	IC			UL - Listed	UL			UL (Ordinary Locations)	UW			<table border="1"> <tr> <th>Voltage</th> <th>Code</th> </tr> <tr> <td>a.c.</td> <td>A</td> </tr> <tr> <td>d.c.</td> <td>D*</td> </tr> </table> <p>*Must be selected for CSA certified unit</p>		Voltage	Code	a.c.	A	d.c.	D*	<table border="1"> <tr> <th>Finish</th> <th>Code</th> </tr> <tr> <td>Red (standard)</td> <td>R</td> </tr> <tr> <td>Natural black</td> <td>N</td> </tr> <tr> <td>Blue</td> <td>B</td> </tr> <tr> <td>Yellow</td> <td>Y</td> </tr> <tr> <td>Grey</td> <td>G</td> </tr> <tr> <td>Yellow/black stripes</td> <td>X</td> </tr> <tr> <td>Special</td> <td>S*</td> </tr> </table> <p>*Please specify</p>		Finish	Code	Red (standard)	R	Natural black	N	Blue	B	Yellow	Y	Grey	G	Yellow/black stripes	X	Special	S*
Certification	Code	Certification	Code																																																								
ATEX/CENELEC - Ex de	EB	CCC - Ex de	EQ*																																																								
ATEX/CENELEC - Ex ia	IB	CCC - Ex ia	IQ*																																																								
IECEX - Ex ia	IJ	INMETRO - Ex de	EM																																																								
IECEX - Ex de	EJ	Uncertified	WN																																																								
CSA - Ex ia	IC																																																										
UL - Listed	UL																																																										
UL (Ordinary Locations)	UW																																																										
Voltage	Code																																																										
a.c.	A																																																										
d.c.	D*																																																										
Finish	Code																																																										
Red (standard)	R																																																										
Natural black	N																																																										
Blue	B																																																										
Yellow	Y																																																										
Grey	G																																																										
Yellow/black stripes	X																																																										
Special	S*																																																										