



Auteldac 4

ATEX Approved Hazardous Area Telephone



- Ex II 2 GD & Ex II 2 G ATEX Certified telephone for Gas and Dust
- Zone 1 & 2, Zone 21 & 22 Compliant
- **CE** (R&TTE Directive 1999/5/EC and ATEX Product Directive 94/9/EC)
- IEC Ex certified
- GOST-R & INMETRO Approved for Gas
- Fully compliant with TBR21 / TBR38
- Full keypad with 3 programmable memory buttons, or CB variant
- Headset Option
- 90dB sounder (adjustable)
- Secondary beacon / external sounder actuator
- Robust and weather resistant (IP66 with curly cord, IP54 with steel cord)
- Industry standard robust handset c/w curly cord or armoured stainless steel
- Noise cancelling versions available
- Dual purpose design for wall or desk mounting, simple installation

The Auteldac 4 (A4) telephone has secured ATEX and IEC approval to provide a tough, weather resistant unit, built to withstand arduous industrial atmospheres and environmental extremes.

Certified for safe operation in hazardous areas, the Auteldac 4 body is made from carbon loaded glass filled polyester to eliminate rust and corrosion.

The elimination of moving parts maintains a high level of reliability to industrial and weather resistant telephones.

Features such as 'electronic on-hook sensing' and 'electronic tone ringer' enable an enclosure protection up to IP66. Should the handset be left off-hook, the A4 will automatically revert to on-hook state after a period of 6-8 minutes (this option can be disabled).

Auteldac 4 telephones come complete with an integral ringer with volume control and secondary beacon / external sounder actuator as standard. An inductive coupler is fitted to aid the hard of hearing. For hands-free telephone use, the Auteldac 4 has the option of a headset.

Connectivity:

Standard Analogue

The standard analogue unit provides basic telephone functions and can be connected to any standard two-wire telephone line, including FXS ports, analogue PABX lines and PSTN.

Options:

The handset has a choice of armoured stainless steel or curly cords.



Keypad Options:

18 button Full Keypad

Included in the 18 button version, are 3 direct dial buttons for fast one touch dialling of pre-stored numbers or accessing low cost call facilities. Includes: **M1- M3** Memory buttons, **S** 'Store', **R** 'Recall', **LR** 'Last number redial'

0 button CB

This can be used to initiate a PABX 'hotline' or lift handset and wait for reply, where the PABX does the call routing/dialling. Autodial on handset lift also available.



Auteldac 4

ATEX Approved Hazardous Area Telephone

TECHNICAL SPECIFICATIONS (please refer to technical manual for full product details)

Enclosure:

Carbon loaded glass-filled polyester (colour: black)

Surface resistance: $<10^9$ ohms

Handset: Conductively coated polycarbonate handset with coiled cord or stainless steel spiral cord. Noise cancelling options. Extended cord lengths available.

Keypad: Weathersealed tactile digital keypad

Hookswitch:

Electronic with no mechanical moving parts

Weather Ingress protection:

IP66 curly cord, IP54 steel cord

Ringng: Shrill warble tone >90 dBA @ 1 metre typical. Internal volume control.

Power Supply: Drawn from telephone line

Integral Ring Detector: Contact closure following the ringing cadence, rated at 250Vac, 5A.

Isolated hookswitch sensor:

Additional contact rated at 250Vac, 150mA

Parallel Terminal Block:

Duplicated line terminals allows connection to a parallel device without an additional junction box.

Time Out: Enforces a fixed call maximum time limit to 6-8 minutes from lifting of the handset. User selectable.

Dialling system: LD or DTMF (switchable)

Recall Button:

Internally switchable from Earth Loop Recall (600ms pulse) and Timed Break Recall 98ms, 250ms or 604ms.

Certified Operating Temperature:

-20° C up to $+55^{\circ}$ C (-40° C to $+50^{\circ}$ C for GOST-R)

Relative Humidity: Up to 95% (non-condensing)

Weight: approx. 3.1 kg

APPROVALS

CE This mark indicates compliance with the following directives; R&TTE Directive 1999/5/EC, ATEX Product Directive 94/9/EC, Tested to TBR21 / TBR38
The GAI-Tronics Quality Management System has been approved by LRQA to ISO9001:2008 & ISO 14001:2004 Certificate No. 861888 and OHSAS 18001:2007 Certificate No. 4004472

Telephone compliance

Baseefa03ATEX0617

Ex II 2 GD (curly cord, no headset) Ex ibD tb IIIC T180°C, Ex e ib mb IIC T4 Gb (-20° C to $+55^{\circ}$ C) T5 Gb (-20° C to $+50^{\circ}$ C)

Ex II 2 G (steel cord and/or headset versions) Ex e ib mb IIC T4 Gb (-20° C to $+55^{\circ}$ C) T5 Gb (-20° C to $+50^{\circ}$ C)

IECEX BAS 05.0060 Ex e mb ib IIC T4 (-20° C to $+50^{\circ}$ C), Ex e mb ib IIC T5 (-20° C to $+50^{\circ}$ C)

GOST-R Approval (Russia)

POCC GB.ГБ06.B00825 (-40° C to $+50^{\circ}$ C)

INMETRO Approval (Brazil) CEPPEL-EX-2016/11

BR-Ex e ib mb IIC T5 Gb (-20° C to $+50^{\circ}$ C)

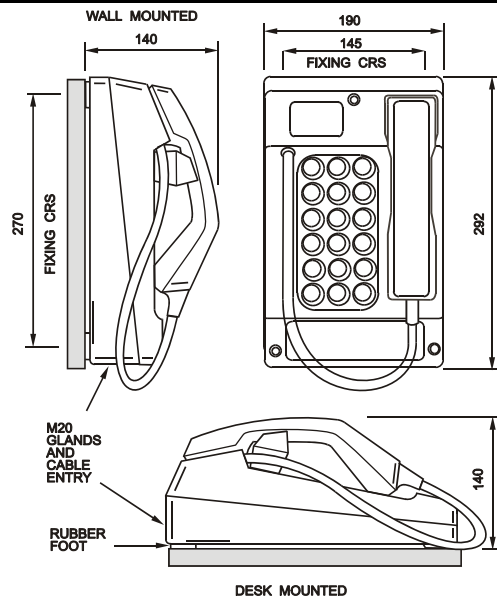
BR-Ex e ib mb IIC T4 Gb (-20° C to $+55^{\circ}$ C)

Headset compliance

Ex II 2 G EEx ib IIC T4 (-20° C to $+40^{\circ}$ C) TUV03ATEX2124

GOST-R Approval POCC GB.ГБ06.B00825 (-40° C to $+40^{\circ}$ C)

DIMENSIONS:



ORDER CODE

Auteldac 4 Curly Cord

| | | |
|-------------------------|-----------------|------------|
| 18btn standard unit | 212-02-2008-031 | Dust & Gas |
| 18btn + headset socket* | 212-02-2008-231 | Gas |
| CB standard unit | 212-02-2000-031 | Dust & Gas |
| CB + headset socket* | 212-02-2000-231 | Gas |

Auteldac 4 Stainless Steel Cord

| | | |
|-------------------------|-----------------|-----|
| 18btn standard unit | 212-02-2008-020 | Gas |
| 18btn + headset socket* | 212-02-2008-220 | Gas |
| CB standard unit | 212-02-2000-020 | Gas |
| CB + headset socket* | 212-02-2000-220 | Gas |

Headset & Plug for Auteldac 4

| | | |
|----------------------------|-----------------|-----|
| *Headset and plug | 100-02-0598-001 | Gas |
| Extension Cord for Headset | 610-35-2036-001 | |

CONNECTION OPTIONS

