



► Model AV1-LED

LED Flashing Combination Audible/Visual Signal

Model AV1-LED is a combination audible/visual signal featuring a 100% polycarbonate housing that is rated for Type 3R rain-tight applications.

All AV1-LED units utilize a twist-and-lock lens design to allow for tool-free access to the LED. The fresnel lens provides superior visibility in all directions.

The integrated buzzer can be set to continuous or intermittent and provides 85 dba @ 10' (95 dba @ 1m). The unit can operate in one of two ways: LED/buzzer combination or LED only. The LED can be programmed to steady or two different flash patterns (60 FPM or 75 FPM). This is achieved through jumpers on the PC board.

Each unit is factory assembled with two color-coded leads. If desired, the user can remove the leads and connect directly to the terminal block located in the base of the unit.

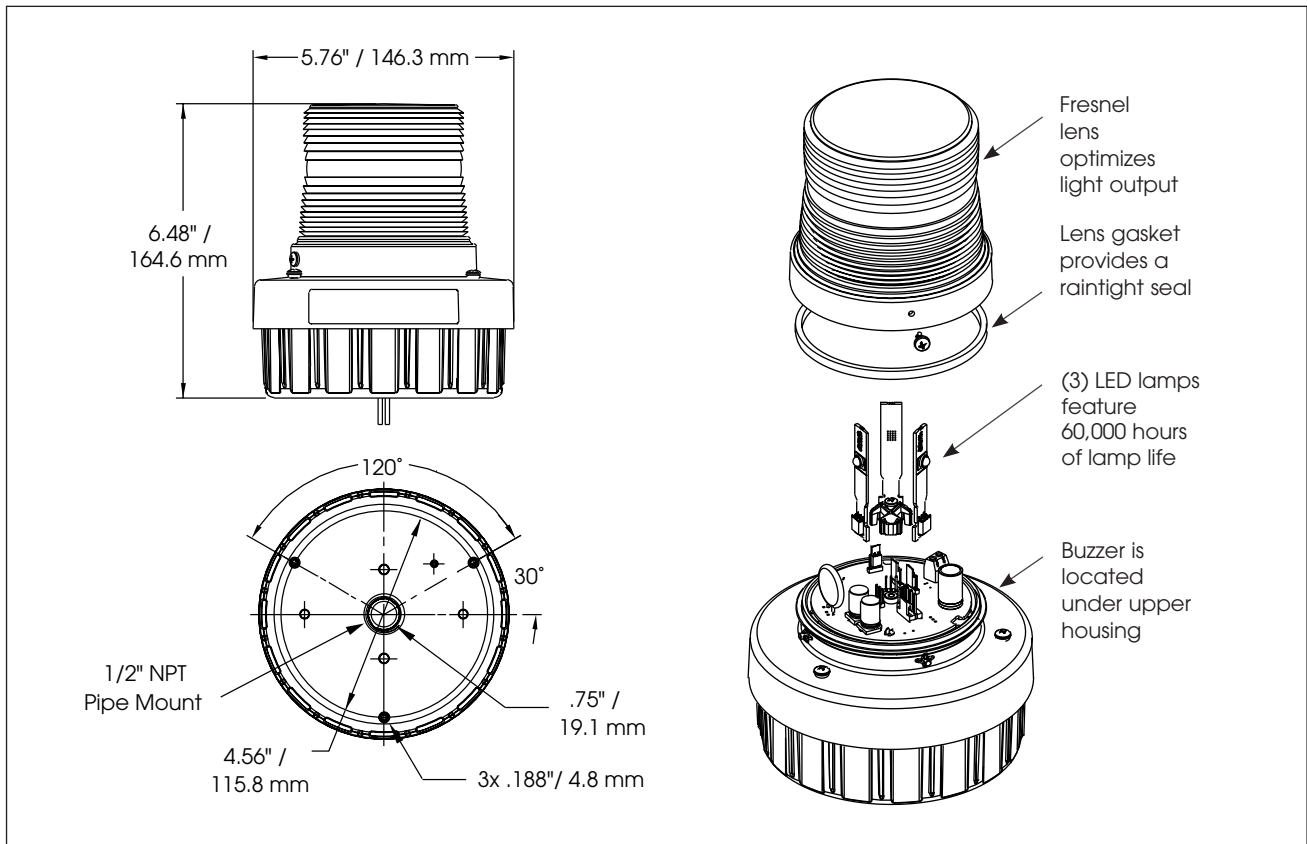
FEATURES

- Available in 24VDC and 120VAC
- 50,000 hour LED light source
- Surface mount, integrated 1/2-inch NPT pipe mount, and 4-inch electrical box mount
- Five lamp/lens colors:
Amber, Blue, Clear, Green and Red
- Twist-off lens for easy access
- Intermittent or steady light effect
- Internal buzzer produces 85 dBA at 10' (95 dBA @ 1m)
- Flexible operation allows the unit to independently illuminate without buzzer
- PLC compatible
- Type 3R enclosure
- UL and cUL Listed

MODEL	VOLTAGE	OPERATING CURRENT	FLASH RATE/ MINUTE	DECIBELS		MOUNT
				10'	1M	
AV1-LED-024 *	24VDC	0.27 amps	60/75	85	95	1/2" NPT Pipe/Surface
AV1-LED-120 *	120VAC	0.03 amps	60/75	85	85	1/2" NPT Pipe/Surface

* Indicates color: (A) Amber, (B) Blue, (C) Clear, (G) Green or (R) Red

LED Flashing Combination Audible/Visual Signal (AV1-LED)



SPECIFICATIONS

Lamp Life:	50,000 Hours	
Light Source:	LED	
Operating Temperature:	-31°F to 150°F	-35°C to 66°C
Net Weight:	1.25 lbs	0.57 kg
Shipping Weight:	1.75 lbs	0.8 kg
Height:	6.48"	164.6 mm
Diameter:	5.76"	146.3 mm

HOW TO ORDER

AV1-LED

- 024

A

TYPE
AV1-LED

VOLTAGE
024 (24VDC)
120 (120VAC)

COLOR
A Amber
B Blue
C Clear
G Green
R Red

REPLACEMENT PARTS

Description	Part Number
Lens Kit, Amber ¹	K8550292A-02
Lens Kit, Blue ¹	K8550292A-01
Lens Kit, Clear ¹	K8550292A
Lens Kit, Green ¹	K8550292A-04
Lens Kit, Red ¹	K8550292A-03
Buzzer, 24VDC	K8591002A-03
Buzzer, 120VAC	K8591002A
PCBA, Amber LED	K2005633A-A
PCBA, Blue LED	K2005633A-B
PCBA, Green LED	K2005633A-G
PCBA, Red LED	K2005633A-R
PCBA, White LED	K2005633A-W

¹ Includes 1 lens gasket and 1 surface mount gasket

OPTIONAL ACCESSORIES

Description	Part Number
Corner Bracket	LCMB2*
Wall Bracket	LWMB2*

* Type 3R rated

Mounting Brackets shown on pages 154-157