

Ex Signalleuchte dSLB 20 LED

Robust optical signalling device for applications in potentially explosive areas of group II and zones 1, 2, 21 and 22



Overview

Optical signalling is often required for warning or notifying purposes in potentially explosive areas. The Ex Signal Light dSLB 20 LED provides suitable signalling for these purposes.

The dSLB 20 LED is designed for continuous operation and activated by connecting the power supply. It is available for different supply voltages. Its sturdy housing of ingress protection IP 66/67 is suitable for both indoor and outdoor applications.

The Ex signalling light has a small flameproof aluminium housing containing the electronics. The cap is made of hardened borosilicate glass. The terminal compartment is of protection type "increased safety".

A signalling combination can be established using the provided stainless steel mounting plate with integrated junction box.

Features

- 4 different operating modes: permanent, strobe, blinking or rotating light
- Compact construction
- Versatile application
- Ingress protection IP 66/67
- Protection type: II 2 G Ex d e IICT5, T6 Gb
II 2 D Ex tb IIIC T95°C, T80°C Db
- Version: red, continuous light, according to ICAO Annex 14, Low Intensity, Type A, red

EATON

Powering Business Worldwide



Certification

Protection type	II 2 G Ex d e IIC T5, T6 Gb II 2 D Ex tb IIIC T95°C, T80°C Db
Approval	PTB 99 ATEX 1028 IECEx PTB 09. 0062

Specifications

Housing	Aluminium, surface varnished or powder-coated
Housing colour	Yellow/blue
Cap	Borosilicate glass dome with stainless steel protection cage
Cap colour	Transparent, red, amber, green, blue
Ingress protection	IP 66/67 according to EN 60529
Protection class	I
Operating voltage	DC 24 V ±20 % AC 85-265 V
Cable glands	1 x M20 x 1.5, 1 x blind plug M20 x 1.5
Connection terminals	Terminal capacity: 2.5 mm ² single-wire 1.5 mm ² fine-wire Protective earth – Screw connection with wire protection clamp in connection enclosure max. 2.5 mm ² Equipotential – Screw connection with wire bonding conductor protection clamp outside, cross section max. 4 mm ²
Operating conditions	Indoors and outdoors
Operating position	Any
Operating modes	Continuous operation for all operating modes: Continuous light Blinking light 2 Hz Strobe Light 7 x on (55 ms) and off (19 ms) then 1 sec. break Rotating light 1 approx. 44 rotations/min 1 segment on Rotating light 2 approx. 33 rotations/min 2 segments on
Temperature range	-55 °C to +55 °C
Weight	Approx. 2 kg

	red	amber	green	blue	white
Current consumption 24 VDC					
Continuous light	550 mA	570 mA	800 mA	850 mA	870 mA
Blinking light (LEDs on)	550 mA	570 mA	800 mA	850 mA	870 mA
Strobe light (LEDs on)	1,2 A	1,2 A	1,5 A	1,5 A	1,6 A
Rotating light 1	190 mA	190 mA	250 mA	250 mA	280 mA
Rotating light 2	250 mA	250 mA	350 mA	350 mA	380 mA
Current consumption 230 VAC					
Continuous light	125 mA	125 mA	160 mA	170 mA	170 mA
Blinking light (LEDs on)	125 mA	125 mA	160 mA	170 mA	170 mA
Strobe light (LEDs on)	180 mA	180 mA	210 mA	230 mA	230 mA
Rotating light 1	60 mA	60 mA	65 mA	70 mA	70 mA
Rotating light 2	70 mA	70 mA	80 mA	85 mA	85 mA
Current consumption 120 VAC					
Continuous light	190 mA	190 mA	250 mA	280 mA	280 mA
Blinking light (LEDs on)	190 mA	190 mA	250 mA	280 mA	280 mA
Strobe light (LEDs on)	280 mA	280 mA	360 mA	390 mA	420 mA
Rotating light 1	80 mA	80 mA	90 mA	100 mA	120 mA
Rotating light 2	100 mA	100 mA	120 mA	130 mA	135 mA

all approximate values

Ordering data

* The full article number for ATEX and IECEx variants is made up by appending the colour code to the article numbers given below. INMETRO variants are available on request.

Type	Designation	Nominal voltage	Art. No.*
dSLB 20	Ex Signal Light	24 VDC	FHF 224 922 ..
dSLB 20	Ex Signal Light	85-265 VAC	FHF 224 924 ..
dSLB 20	Ex Signal Light	48 VDC	FHF 224 925 02
dSLB 20	Ex Signal Light	48 VDC	FHF 224 925 03

transparent	01
red	02
amber	03
green	04
blue	05

Accessories

Mounting plate with integrated junction box	FHF 229 901 01
---	----------------

FHF Funke + Huster Fernsig GmbH
Gewerbeallee 15-19

EATON
Powering Business Worldwide

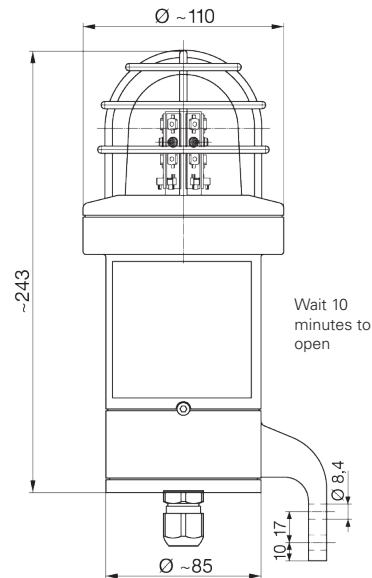
© 2017 Eaton
All rights reserved.
Publication No. DSFH024EN/A
August 2017

Eaton is a registered trademark.

All other trademarks are property of their respective owners.

All specifications, dimensions, weights and tolerances are nominal (typical) and Eaton reserve the right to vary all data without prior notice. No liability is accepted for any consequence of use.

General arrangement drawing (all dimensions in mm)



Wall mounting

