



Vigilant[®] LED High Bay

Technical Specification Sheet - CE



Vigilant® LED High Bay Technical Specifications

Corded Model



Mechanical Information:

Fixture weight:

8.2 kg (18 lbs)

Shipping weight:

10.9 kg (24 lbs)

Mounting:

Stainless Steel Hook

Power Cord:

3 meters, H07RN-F or H07BN4-F Heavy Duty

Prefix: HEE

Integrated Wiring Box



Mechanical Information:

Fixture weight:

9.1 kg (20 lbs)

Shipping weight:

11.8 kg (26 lbs)

Mounting:

Various Kits (see page 9)

Wiring Box Cable Entries:

M25 x 3

Terminals:

0.5-4mm² x 3

Prefix: HWE

Comparison		
	Warranty	L70
Dialight LED High Bay	10yr	>150,000
Metal Halide	1	15,000
High Pressure Sodium	1	20,000

Certifications & Ratings:

EN 60598-1:2015,
IEC 60598-1:2014

IK10 to EN 50102
(Polycarbonate lens)

EN 60598-2-1:1989,
IEC 60598-2-1:2020

IK06 to EN 50102 (Acrylic lens)

IEC60068

IK05 to EN 50102 (Glass lens)

Salt spray testing - severity 1

D-Marking to EN 60598 2-24

IP66 to EN 60529

L70 >150,000 hours @ 25°C ambient

Variable Dimming as Standard:

Variable Dimming Control: 0-10 VDC

Dimming Range:

10 VDC = 100% light output
0 VDC = <10% light output

Electrical Specifications:

Operating Voltage:

100-277 VAC
120-250 VDC

Total system power consumption:

See table

Operating Temp:

-40°C to +65°C

Harmonics:

IEC 61000-3-2

Noise requirement /EMC:

EN 61547: 2009
Radiated and Conducted
Emissions: EN 55015

EMC Immunity:

EN 61547: 2009

Transient protection:

100-277 VAC models tested to withstand up to 8kV/4kA per IEEE C62.41.
347-480 VAC models tested to withstand up to 6kV/3kA per IEEE C62.41

THD:

< 20%

Power Factor:

> 0.9

Construction:

Housing:

Copper-free aluminium

Finish:

Superior dual coat finish
-Sealed polyester topcoat
-Chemical-resistant epoxy primer

Lens:

See table

Screws:

Stainless steel 316

Photometric Information:

CRI:

80

CCT:

5000K (cool white)
4000K (neutral white)

All values typical unless otherwise stated (tolerance +/- 10%)

Vigilant® LED High Bay Ordering Information



Standard Model with 3 Meter Cable & Hook Mount									
Part Number	Legacy Part Number	Lumens	Watts	lm/W	Voltage	CCT	CRI	Lens	Beam Distribution
HEE-7MC2-EDHW-NGN	HEEGMC4PNHNG	27,500	185	149	100-277 VAC, 120-250 VDC	5000K	80	Clear Glass	Medium
HEE-4MC2-EDHW-NGN	HEE2MC4PNHNG	27,200	185	147	100-277 VAC, 120-250 VDC	5000K	80	Clear Polycarbonate	Medium
HEE-LMC2-EDHW-NGN	HEELMC4PNHNG	27,000	185	146	100-277 VAC, 120-250 VDC	5000K	80	Diffused Domed Polycarbonate	Medium
HEE-7EC2-EDHW-NGN	HEEGEC4PNHNG	25,900	185	140	100-277 VAC, 120-250 VDC	5000K	80	Clear Glass	Oval
HEE-4EC2-EDHW-NGN	HEE2EC4PNHNG	25,600	185	138	100-277 VAC, 120-250 VDC	5000K	80	Clear Polycarbonate	Oval
HEE-LEC2-EDHW-NGN	HEELEC4PNHNG	25,300	185	137	100-277 VAC, 120-250 VDC	5000K	80	Diffused Domed Polycarbonate	Oval
HEE-7MC2-CDHW-NGN	HEEGMC4KNHNG	19,800	130	152	100-277 VAC, 120-250 VDC	5000K	80	Clear Glass	Medium
HEE-4MC2-CDHW-NGN	HEE2MC4KNHNG	19,600	130	151	100-277 VAC, 120-250 VDC	5000K	80	Clear Polycarbonate	Medium
HEE-LMC2-CDHW-NGN	HEELMC4KNHNG	19,400	130	149	100-277 VAC, 120-250 VDC	5000K	80	Diffused Domed Polycarbonate	Medium
HEE-7EC2-CDHW-NGN	HEEGEC4KNHNG	18,600	130	143	100-277 VAC, 120-250 VDC	5000K	80	Clear Glass	Oval
HEE-4EC2-CDHW-NGN	HEE2EC4KNHNG	18,400	130	142	100-277 VAC, 120-250 VDC	5000K	80	Clear Polycarbonate	Oval
HEE-LEC2-CDHW-NGN	HEELEC4KNHNG	18,200	130	140	100-277 VAC, 120-250 VDC	5000K	80	Diffused Domed Polycarbonate	Oval
HEE-7MC2-BDHW-NGN	HEEGMC4GNHNG	14,900	100	149	100-277 VAC, 120-250 VDC	5000K	80	Clear Glass	Medium
HEE-4MC2-BDHW-NGN	HEE2MC4GNHNG	14,800	100	148	100-277 VAC, 120-250 VDC	5000K	80	Clear Polycarbonate	Medium
HEE-LMC2-BDHW-NGN	HEELMC4GNHNG	14,600	100	146	100-277 VAC, 120-250 VDC	5000K	80	Diffused Domed Polycarbonate	Medium
HEE-7EC2-BDHW-NGN	HEEGEC4GNHNG	14,000	100	140	100-277 VAC, 120-250 VDC	5000K	80	Clear Glass	Oval
HEE-4EC2-BDHW-NGN	HEE2EC4GNHNG	13,900	100	139	100-277 VAC, 120-250 VDC	5000K	80	Clear Polycarbonate	Oval
HEE-LEC2-BDHW-NGN	HEELEC4GNHNG	13,700	100	137	100-277 VAC, 120-250 VDC	5000K	80	Diffused Domed Polycarbonate	Oval
HEE-7MC2-ADHW-NGN	HEEGMC4DNHNG	11,600	80	145	100-277 VAC, 120-250 VDC	5000K	80	Clear Glass	Medium
HEE-4MC2-ADHW-NGN	HEE2MC4DNHNG	11,500	80	144	100-277 VAC, 120-250 VDC	5000K	80	Clear Polycarbonate	Medium
HEE-LMC2-ADHW-NGN	HEELMC4DNHNG	11,400	80	143	100-277 VAC, 120-250 VDC	5000K	80	Diffused Domed Polycarbonate	Medium
HEE-7EC2-ADHW-NGN	HEEGEC4DNHNG	10,900	80	136	100-277 VAC, 120-250 VDC	5000K	80	Clear Glass	Oval
HEE-4EC2-ADHW-NGN	HEE2EC4DNHNG	10,800	80	135	100-277 VAC, 120-250 VDC	5000K	80	Clear Polycarbonate	Oval
HEE-LEC2-ADHW-NGN	HEELEC4DNHNG	10,700	80	134	100-277 VAC, 120-250 VDC	5000K	80	Diffused Domed Polycarbonate	Oval

Notes

Note 1: Models in chart above are 5000K CCT. For 4000K CCT change the 6th character from C to N & deduct 3% from the lumen table.

Note 2: Flat clear acrylic lens available, consult local Dialight sales office for availability.

Vigilant® LED High Bay

Ordering Information



Integrated Wiring Box - Standard with HBXW3 Bracket									
Part Number	Legacy Part Number	Lumens	Watts	lm/W	Voltage	CCT	CRI	Lens	Beam Distribution
HWE-7MC2-EDAN-NGN	HEEGMC4PNJNG	27,500	185	149	100-277 VAC, 120-250 VDC	5000K	80	Clear Glass	Medium
HWE-4MC2-EDAN-NGN	HEE2MC4PNJNG	27,200	185	147	100-277 VAC, 120-250 VDC	5000K	80	Clear Polycarbonate	Medium
HWE-LMC2-EDAN-NGN	HEELMC4PNJNG	27,000	185	146	100-277 VAC, 120-250 VDC	5000K	80	Diffused Domed Polycarbonate	Medium
HWE-7EC2-EDAN-NGN	HEEGEC4PNJNG	25,900	185	140	100-277 VAC, 120-250 VDC	5000K	80	Clear Glass	Oval
HWE-4EC2-EDAN-NGN	HEE2EC4PNJNG	25,600	185	138	100-277 VAC, 120-250 VDC	5000K	80	Clear Polycarbonate	Oval
HWE-LEC2-EDAN-NGN	HEELEC4PNJNG	25,300	185	137	100-277 VAC, 120-250 VDC	5000K	80	Diffused Domed Polycarbonate	Oval
HWE-7MC2-CDAN-NGN	HEEGMC4KNJNG	19,800	130	152	100-277 VAC, 120-250 VDC	5000K	80	Clear Glass	Medium
HWE-4MC2-CDAN-NGN	HEE2MC4KNJNG	19,600	130	151	100-277 VAC, 120-250 VDC	5000K	80	Clear Polycarbonate	Medium
HWE-LMC2-CDAN-NGN	HEELMC4KNJNG	19,400	130	149	100-277 VAC, 120-250 VDC	5000K	80	Diffused Domed Polycarbonate	Medium
HWE-7EC2-CDAN-NGN	HEEGEC4KNJNG	18,600	130	143	100-277 VAC, 120-250 VDC	5000K	80	Clear Glass	Oval
HWE-4EC2-CDAN-NGN	HEE2EC4KNJNG	18,400	130	142	100-277 VAC, 120-250 VDC	5000K	80	Clear Polycarbonate	Oval
HWE-LEC2-CDAN-NGN	HEELEC4KNJNG	18,200	130	140	100-277 VAC, 120-250 VDC	5000K	80	Diffused Domed Polycarbonate	Oval
HWE-7MC2-BDAN-NGN	HEEGMC4GNJNG	14,900	100	149	100-277 VAC, 120-250 VDC	5000K	80	Clear Glass	Medium
HWE-4MC2-BDAN-NGN	HEE2MC4GNJNG	14,800	100	148	100-277 VAC, 120-250 VDC	5000K	80	Clear Polycarbonate	Medium
HWE-LMC2-BDAN-NGN	HEELMC4GNJNG	14,600	100	146	100-277 VAC, 120-250 VDC	5000K	80	Diffused Domed Polycarbonate	Medium
HWE-7EC2-BDAN-NGN	HEEGEC4GNJNG	14,000	100	140	100-277 VAC, 120-250 VDC	5000K	80	Clear Glass	Oval
HWE-4EC2-BDAN-NGN	HEE2EC4GNJNG	13,900	100	139	100-277 VAC, 120-250 VDC	5000K	80	Clear Polycarbonate	Oval
HWE-LEC2-BDAN-NGN	HEELEC4GNJNG	13,700	100	137	100-277 VAC, 120-250 VDC	5000K	80	Diffused Domed Polycarbonate	Oval
HWE-7MC2-ADAN-NGN	HEEGMC4DNJNG	11,600	80	145	100-277 VAC, 120-250 VDC	5000K	80	Clear Glass	Medium
HWE-4MC2-ADAN-NGN	HEE2MC4DNJNG	11,500	80	144	100-277 VAC, 120-250 VDC	5000K	80	Clear Polycarbonate	Medium
HWE-LMC2-ADAN-NGN	HEELMC4DNJNG	11,400	80	143	100-277 VAC, 120-250 VDC	5000K	80	Diffused Domed Polycarbonate	Medium
HWE-7EC2-ADAN-NGN	HEEGEC4DNJNG	10,900	80	136	100-277 VAC, 120-250 VDC	5000K	80	Clear Glass	Oval
HWE-4EC2-ADAN-NGN	HEE2EC4DNJNG	10,800	80	135	100-277 VAC, 120-250 VDC	5000K	80	Clear Polycarbonate	Oval
HWE-LEC2-ADAN-NGN	HEELEC4DNJNG	10,700	80	134	100-277 VAC, 120-250 VDC	5000K	80	Diffused Domed Polycarbonate	Oval

Notes

Note 1: Models in chart above are 5000K CCT. For 4000K CCT change the 6th character from C to N & deduct 3% from the lumen table.

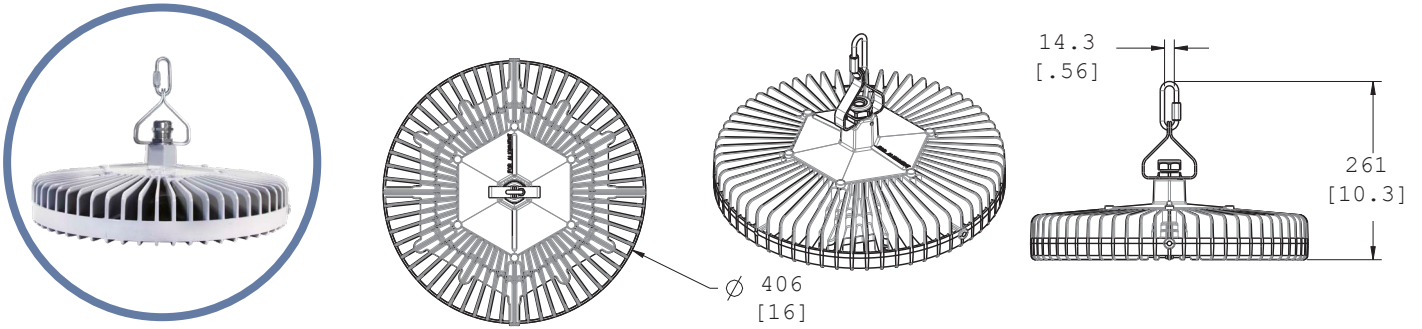
Note 2: Flat clear acrylic lens available. Consult local Dialight sales office for availability.

Note 3: Occupancy sensor options available. Consult local Dialight sales office for availability.

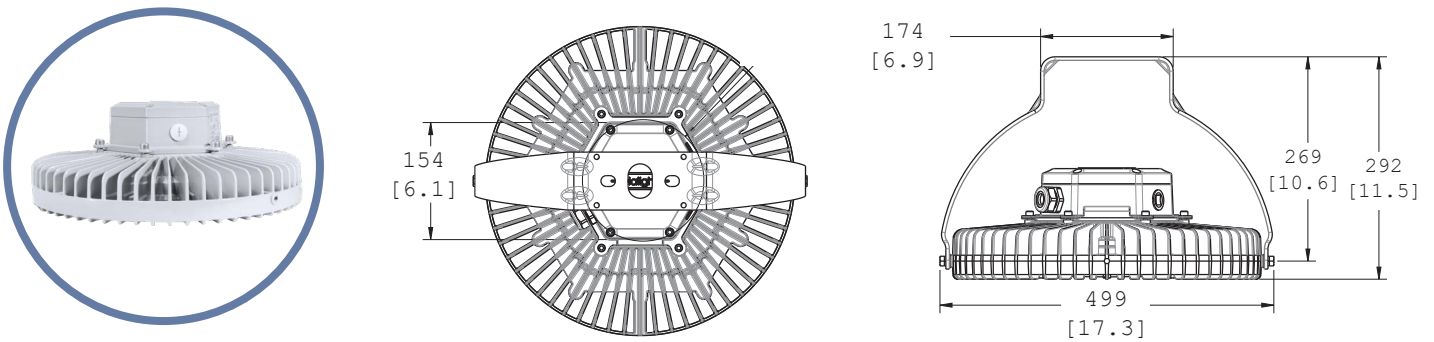
DISCLAIMER: All information provided is, to the best of Dialight's knowledge, accurate as of the date of publication, but is subject to change without notice and does not form part of any contract with Dialight. When ordering please refer to www.dialight.com for current versions of: (a) relevant product documentation (including the most up to date product data sheets); (b) Dialight terms and conditions of sale; and, (c) the relevant product warranty. All information provided is, to Dialight's knowledge, accurate at the date of publication, but is subject to change without notice and does not form part of any contract with Dialight. In the event of any discrepancy between this document and information provided on our website, the latter shall prevail.

Dimensional Drawings

Corded Model with Hook Mount



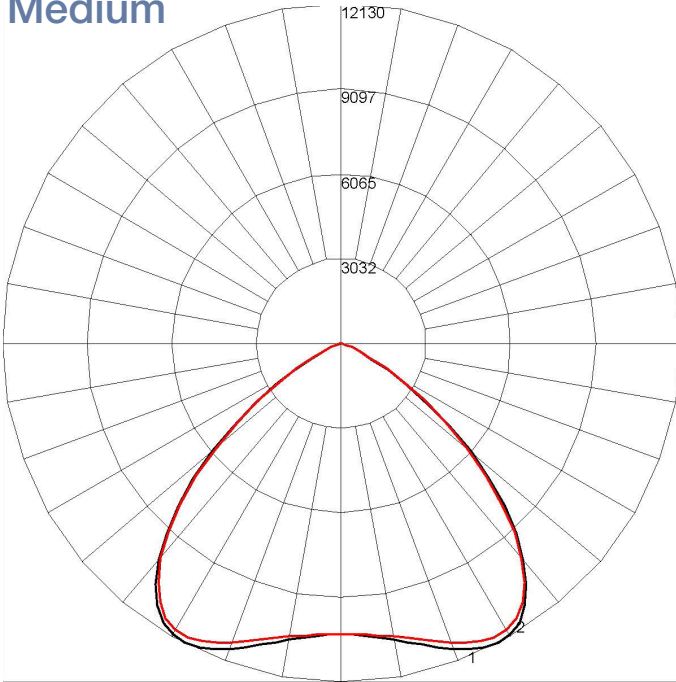
Integrated Wiring Box



DISCLAIMER: All information provided is, to the best of Dialight's knowledge, accurate as of the date of publication, but is subject to change without notice and does not form part of any contract with Dialight. When ordering please refer to www.dialight.com for current versions of: (a) relevant product documentation (including the most up to date product data sheets); (b) Dialight terms and conditions of sale; and, (c) the relevant product warranty. All information provided is, to Dialight's knowledge, accurate at the date of publication, but is subject to change without notice and does not form part of any contract with Dialight. In the event of any discrepancy between this document and information provided on our website, the latter shall prevail.

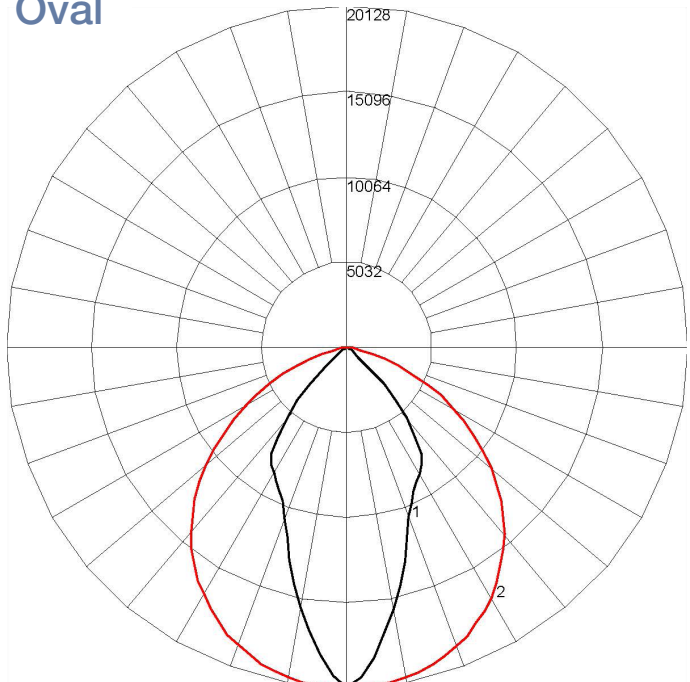
Beam Distributions

Medium



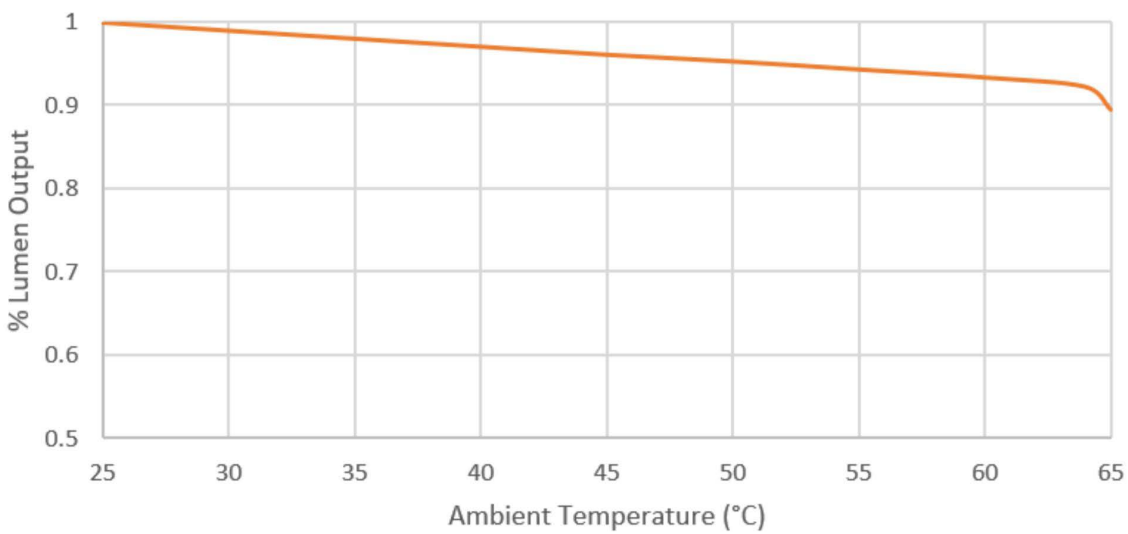
Maximum Candela = 12129.5 Located At Horizontal Angle = 0, Vertical Angle = 27.5
 # 1 - Vertical Plane Through Horizontal Angles (0 - 180)
 # 2 - Vertical Plane Through Horizontal Angles (90 - 270)

Oval



Maximum Candela = 20128.4 Located At Horizontal Angle = 85, Vertical Angle = 2.5
 # 1 - Vertical Plane Through Horizontal Angles (0 - 180)
 # 2 - Vertical Plane Through Horizontal Angles (90 - 270)

Thermal Roll-Off



DISCLAIMER: All information provided is, to the best of Dialight's knowledge, accurate as of the date of publication, but is subject to change without notice and does not form part of any contract with Dialight. When ordering please refer to www.dialight.com for current versions of: (a) relevant product documentation (including the most up to date product data sheets); (b) Dialight terms and conditions of sale; and, (c) the relevant product warranty. All information provided is, to Dialight's knowledge, accurate at the date of publication, but is subject to change without notice and does not form part of any contract with Dialight. In the event of any discrepancy between this document and information provided on our website, the latter shall prevail.

In Rush Currents

Model	Max Wattage	In rush current @ input voltage				Approximate time duration (T50) of in rush current			
		100 VAC	120 VAC	230 VAC	277 VAC	100 VAC	120 VAC	230 VAC	277 VAC
11k	86	6.4	7.7	14.8	17.8	1.5ms	1.5ms	1.5ms	1.5ms
14k	109	6.4	7.7	14.8	17.8	1.5ms	1.5ms	1.5ms	1.5ms
19k	145	6.4	7.7	14.8	17.8	1.5ms	1.5ms	1.5ms	1.5ms
26k	205	6.4	7.7	14.8	17.8	1.5ms	1.5ms	1.5ms	1.5ms

Lumen Maintenance Factor

Ambient Temp (°C)	% Lumen Output (120V)								
	Hours								
	0	15000	30000	45000	60000	75000	90000	100000	150000
25	100%	98%	96%	95%	94%	92%	91%	90%	86%
30	99%	97%	95%	94%	93%	91%	90%	89%	85%
35	98%	96%	94%	93%	92%	91%	89%	89%	84%
40	97%	95%	94%	92%	91%	90%	88%	88%	84%
45	96%	94%	93%	91%	90%	89%	88%	87%	83%
50	95%	93%	92%	91%	89%	88%	87%	86%	82%
55	94%	92%	91%	90%	88%	87%	86%	85%	81%
60	94%	91%	90%	89%	88%	86%	85%	84%	81%
65	90%	88%	86%	84%	83%	81%	80%	79%	74%

DISCLAIMER: All information provided is, to the best of Dialight's knowledge, accurate as of the date of publication, but is subject to change without notice and does not form part of any contract with Dialight. When ordering please refer to www.dialight.com for current versions of: (a) relevant product documentation (including the most up to date product data sheets); (b) Dialight terms and conditions of sale; and, (c) the relevant product warranty. All information provided is, to Dialight's knowledge, accurate at the date of publication, but is subject to change without notice and does not form part of any contract with Dialight. In the event of any discrepancy between this document and information provided on our website, the latter shall prevail.

Circuit Breaker

Model	Maximum # of Lights per Breaker @ 100 VAC			Maximum # of Lights per Breaker @ 120 VAC			Maximum # of Lights per Breaker @ 230 VAC			Maximum # of Lights per Breaker @ 277 VAC		
	C10	B16	C16	C10	B16	C16	C10	B16	C16	C10	B16	C16
11k	8	13	13	10	16	16	19	30	30	22	35	35
14k	6	10	10	8	12	12	15	24	24	17	28	28
19k	5	8	8	6	9	9	11	18	18	13	20	20
26k	3	5	5	4	7	7	8	13	13	9	15	15

DISCLAIMER: All information provided is, to the best of Dialight's knowledge, accurate as of the date of publication, but is subject to change without notice and does not form part of any contract with Dialight. When ordering please refer to www.dialight.com for current versions of: (a) relevant product documentation (including the most up to date product data sheets); (b) Dialight terms and conditions of sale; and, (c) the relevant product warranty. All information provided is, to Dialight's knowledge, accurate at the date of publication, but is subject to change without notice and does not form part of any contract with Dialight. In the event of any discrepancy between this document and information provided on our website, the latter shall prevail.

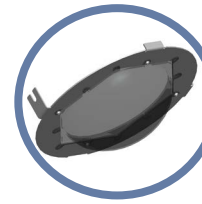
Accessories



- HBXW3-SSL-316M**
- 316 stainless steel bracket
- HBXW3-SSL-304M**
- 304 stainless steel bracket



- HBXCAB48**
- 48" long stainless steel safety rope (for use with safety bracket)
 - Includes 2 cables



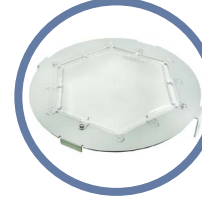
- HBXSBDK**
- Sand blast kit (dome lens)
- HBXSBDL**
- Sacrificial dome lens



- HBXW3-SSL-304FTM**
- 304 stainless steel forward throw bracket
- HBXW3-SSL-316FTM**
- 316 stainless steel forward throw bracket



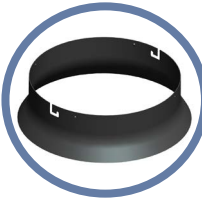
- HBXSB Safety Tabs**
- 316 stainless steel
 - Includes 4 tabs



- HBXSBK**
- Sand blast kit (flat lens)
- HBXSBL**
- Sacrificial flat lens



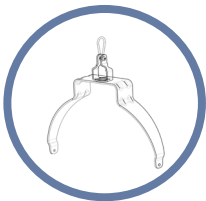
- HBXW3**
- Powder-coated aluminium swivel bracket



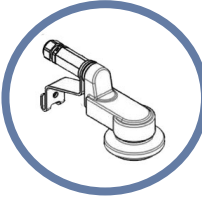
- HBXGS**
- Glare shield (internal use only, for use with flat lens)



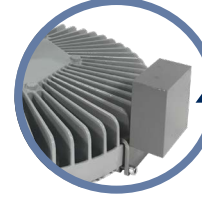
- HBXFSIRREMOTE**
- Remote for occupancy sensor



- HBXW3EUHOOK**
- Swivel bracket with hanging hook

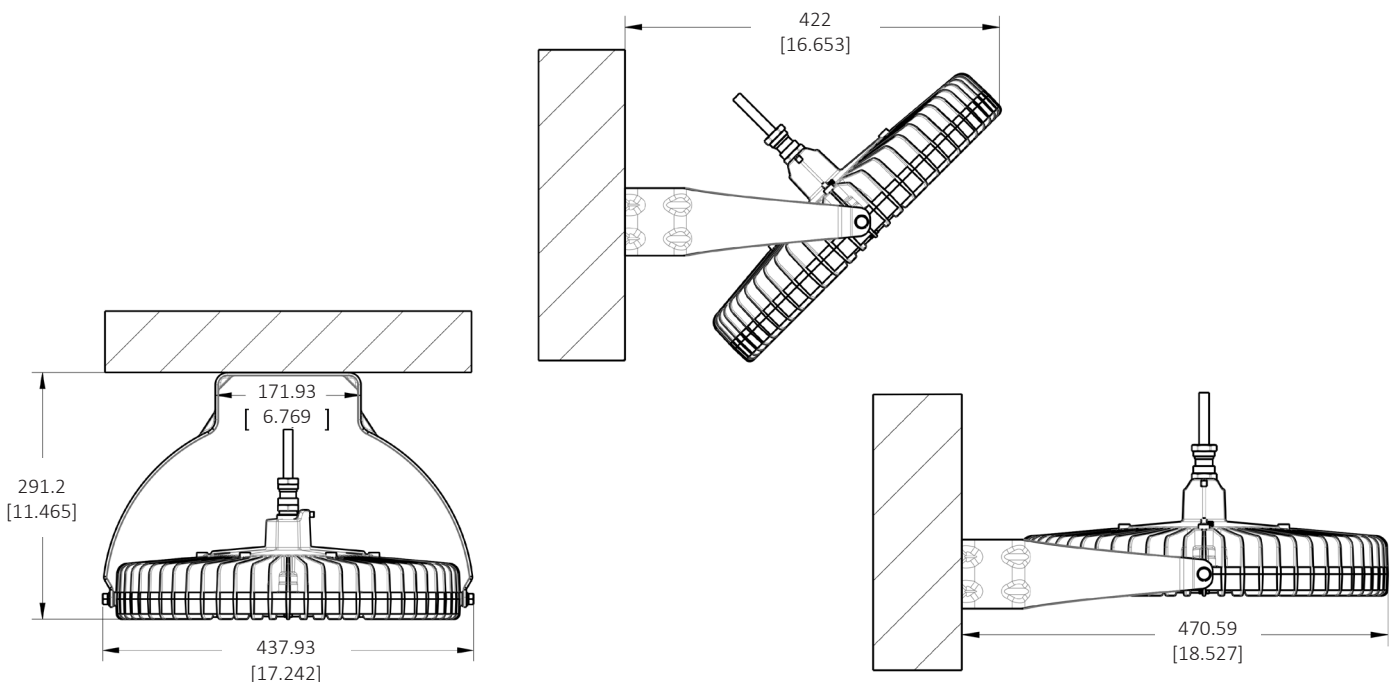


- HBXOCC100277E**
- Field installable occupancy sensor for models prefixed with HWE or HCE



- HBXCBOCCFSPG**
- Sensor counterbalance
- HBXCBOCCFSPK**
- Powder coated steel
 - Sensor counterbalance
 - 316 stainless steel

HBXW3 - Swivel Bracket



Wedge, accurate as of the date of publication, but is subject to change without notice and does not form part of any contract with Dialight. When ordering please refer to www.dialight.com for current versions of: (a) relevant product documentation (including the most up to date product data sheets); (b) Dialight terms and conditions of sale; and, (c) the relevant product warranty. All information provided is, to Dialight's knowledge, accurate at the date of publication, but is subject to change without notice and does not form part of any contract with Dialight. In the event of any discrepancy between this document and information provided on our website, the latter shall prevail.