

U Series Heat Trace Connection System Accessories

Single Entry Connection Box

- NEMA 4X
- Entry for 1 Cable
- 3/4" Conduit Hub Opening

Multiple Entry Connection Box

- NEMA 4X
- Entry for up to 3 Cables
- Power or Tee Connection
- 3/4" Conduit Hub Opening

End Seal Fitting

- NEMA 4X
- Fits All Pipe Sizes
- Mounts Above the Insulation for Easy Access
- Lighted or Non-Lighted

Pipe Standoff Kit

- Brings Cable Outside Insulation to Customer Supplied Junction Box

Under Insulation End Seal Kit

- 3" Dia. Curved Mounting Surface
- Stainless Steel Hardware
- 1" Wide Strapping Channel for Secure Mounting

Small Pipe Adapter for Pipes Under 1-1/2" Diameter



203312



Description

The U-Series Connection System represents cutting edge design in heat tracing accessories. Each model in this series is designed to satisfy the unique demands of a particular operation. These high-quality models combine a variety of functions in a convenient, easy-to-use and economical package.

Applications

These accessories are designed to connect SRP, SRM/E and CWM heating cables to customer-supplied wiring in any of the following applications:

- Freeze Protection
- Piping Process Temperature Maintenance
- Fluid Flow and Viscosity Maintenance

Approvals

UL Listed

Ordinary Areas

CSA Certified†

Ordinary Areas

Class I, Div. 2, Groups A, B, C, and D

Class II, Div. 2, Groups F, G

FM Approved

Ordinary Areas

Class I, Div. 2, Groups B, C, D

Class II, Div. 2, Groups E, F, G

Class III

ATEX Certified (SRL & SRM/E Cables Only)

IIG Exe II

IECEX Certified

Exe 11 Gb

Features

- Molded of Durable Polyphenylene Sulphide Plastic Material*
- Maximum Pipe Temperature 482°F (250°C)
- Corrosion Resistant
- Thermal Stability
- Non-Flammable
- High Strength and Rigidity
- Captive Hardware
- Stainless Steel Hardware to Ensure the Integrity of the System
- Liquid Tight Design Prevents Moisture from Reaching the Electrical Connections
- All Models are Rated NEMA 4X.



* This crystalline, high-performance engineering TP is characterized by outstanding high-temperature stability, inherent flame resistance and a broad range of chemical resistance. PPS plastics and compounds provide various combinations of high mechanical strength, impact resistance and electrical insulation, with its high arc resistance and low arc tracking.

† SSK to have these approvals when a junction box is used that is NEMA 4X rated and certified by appropriate third party agency for use for that application and hazardous locations rating (Div. 2)

U Series Heat Trace Connection System Accessories *(cont'd.)*

Accessories

UPC Power Connection Box PCN 393553

NEMA 4X rated junction box designed to connect SRL, SRP, SRM/E and CWM cables to customer supplied power wiring. This kit provides water-resistant cable entry for one cable, enclosure support, terminal block, and a water-resistant corrosion-resistant wiring enclosure with a 3/4" opening to accept a conduit hub (CCH-2 or equal). A pipe strap (PS Series) is required to attach this model to a pipe. Small pipe adapter is available for pipe size less than 1-1/2".

Kit Dimensions: 9.78"H x 4.78"W x 3.6"D

Kit Includes:

- 1 Junction box with DIN rail & terminal block
- 1 Compression fitting
- 1 Locknut
- 1 Silicone termination boot
- 1 Pipe standoff
- 1 O-ring
- 1 Self-regulating cable grommet
- 1 Constant wattage cable grommet



UMC Multiple Entry Connection Box PCN 393561

NEMA 4X rated junction box designed to connect two or three SRL, SRP, SRM/E and CWM cables to customer supplied power wiring. This kit provides water-resistant cable entry, enclosure support, terminal block and a water-resistant, corrosion-resistant wiring enclosure. In addition to splicing or teeing cables, this model can be used to provide power connection to up to three cables from one connection kit. A pipe strap (PS series) is required to attach this model to a pipe. Small pipe adapter is available for pipe size less than 1-1/2".

Kit Dimensions: 9.78"H x 8.69"W x 3.6"D

Kit Includes:

- 1 Junction box with din rail and terminal block
- 1 Compression fitting
- 1 Locknut
- 3 Silicone termination boots
- 1 Pipe standoff
- 1 O-ring
- 1 Self-regulating cable grommet
- 1 Constant wattage cable grommet
- 1 Self-regulating cable grommet insert
- 1 Constant wattage cable grommet insert

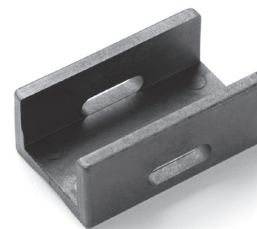


SPA Small Pipe Adapter PCN 393609*

*Pipe adapter to be used when pipe size is less than 1-1/2" diameter.

Kit Includes:

- 1 Small pipe adapter



U Series Heat Trace Connection System Accessories (cont'd.)

UES Above Insulation End Seal Kit PCN 393570

NEMA 4X rated end seal designed of to terminate SRL, SRP, SRM/E and CWM cables. This kit provides water-resistant cable entry for one cable, water-resistant and corrosion-resistant pipe support to bring the cable end outside the insulation for easy access. A pipe strap (PS Series) is required to attach this model to a pipe. Small pipe adapter is available for pipe size less than 1-1/2".

Kit Dimensions: 5.5"H x 2.75"W x 2.25"D

Kit Includes:

- 1 End cap
- 1 Pipe standoff
- 1 Self-regulating cable grommet
- 1 Constant wattage cable grommet



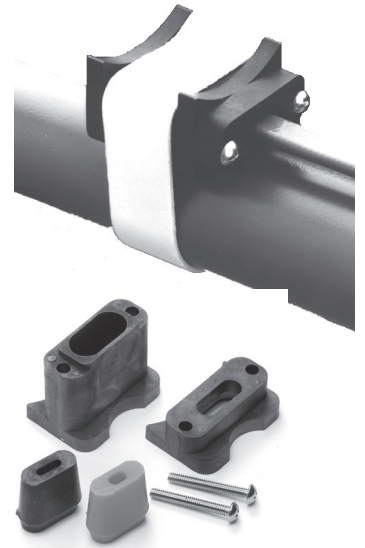
RTES Under Insulation End Seal Kit PCN 389570

NEMA 4X rated enclosure is designed to terminate SRL, SRP, SRM/E and CWM cables. This kit provides water-resistant cable entry for one cable, enclosure support and a water-resistant corrosion-resistant enclosure. The fitting has two different curved mounting surfaces. One side has a 1-1/2" radius curved surface that provides stable support on pipes with a diameter of 3" or more. The other side has a 1/2" radius curved surface which permits a better fit on smaller pipes. A pipe strap (PS Series) is required to attach this model to a pipe. In addition, this side also has four "feet" for installation on flat surfaces.

Kit Dimensions: 1.25"H x 1.75"W x 2"D

Kit Includes:

- 1 End Cap
- 1 Pressure Plate
- 1 GRSR Self-Regulating Cable Sealing Grommet
- 1 GRCW Constant Wattage Cable Sealing Grommet



SSK Single Entry Sealing Kit† PCN 393617

This kit provides water resistant cable entry for one cable, water-resistant and corrosion-resistant pipe support to bring the cable outside the insulation for easy connection to power. A pipe strap (PS Series) is required to attach this model to a pipe. A small pipe adapter is available for pipe sizes less than 1-1/2". Customer supplied junction box required.

† Approved for CSA Class I, Div. 2 groups A, B, C & D and Class II, Div. 2, Groups F, G when junction box that is used is NEMA 4X rated and certified by appropriate third party agency for use for that application and hazardous locations rating (Div. 2)

Kit Includes:

- 1 Compression fitting
- 1 Locknut
- 3 Silicone termination boots
- 1 Pipe standoff
- 1 O-ring
- 1 Self-regulating cable grommet
- 1 Constant wattage cable grommet
- 1 Insulated butt splice 10-12 AWG
- 2 Insulated butt splice 14-16 AWG



U Series Heat Trace Connection System Accessories (cont'd.)

UESL Signal Light Kit PCN 394257

NEMA 4X rated end seal designed to power or seal one cable and indicate power on with universal voltage 120-277 LED indicator light kit designed for use with SRL, SRP, SRM/E and CWM cables. This model provides water-resistant cable entry and corrosion-resistant wiring enclosure. A pipe strap (PS Series) is required to attach this model to a pipe. Small pipe adapter is available for pipe size less than 1-1/2".

Kit Dimensions: 7"H x 3.25"W x 3.25"D

Kit Includes:

- 1 Pipe standoff
- 1 Self-regulating cable grommet
- 1 Constant wattage cable grommet
- 1 Universal voltage 120-277V LED light assembly
- 2 Insulated parallel splices



UAS Ambient-Sensing Thermostat PCN 394038*

NEMA 4X rated junction box designed to connect a single SRL, SRP, SRM/E or CWM cable run to power and control cable output via ambient air temperature in non-hazardous areas. This kit provides water-resistant cable entry for one cable, enclosure support, terminal block and a water resistant corrosion resistant wiring enclosure with a 3/4" opening to accept a conduit hub (CCH-2 or equal). Stainless steel sheath probe is 9/16" diameter x 3" long. Switch rated for 22 amps SPDT 120-480 volts. Operating temperature range is -40°F to 160°F (-40°C to 71°C). Temperature set point 0° to 225°F (-81°C to 107°C) with 10°F scale divisions.

* Only approved for ordinary areas.

Kit Dimensions: 9.78"H x 8.69"W x 3.6"D

Kit Includes:

- 1 Junction box with DIN rail & terminal block
- 1 Compression fitting
- 1 Locknut
- 1 Silicone termination boot
- 1 Pipe standoff
- 1 O-ring
- 1 Self-regulating cable grommet
- 1 Constant wattage cable grommet



U Series Heat Trace Connection System Accessories *(cont'd.)*

*UBC Line-Sensing Thermostat** *PCN 394011*

NEMA 4X rated junction box designed to connect a single SRL, SRP, SRM/E or CWM cable run to power and control cable output via pipe temperature in non-hazardous areas. This kit provides water-resistant cable entry for one cable, enclosure support, terminal block and a water resistant corrosion resistant wiring enclosure with a 3/4" opening to accept a conduit hub (CCH-2 or equal). Stainless steel bulb is 1/4" diameter x 7-1/4" long with 3ft capillary. Switch rated for 22 amps SPDT 120-480 volts. Operating temperature range is -40°F to 160°F (-40°C to 71°C). Temperature set point 0° to 400°F (-81°C to 200°C) with 10°F.

* Only approved for ordinary areas.

Kit Dimensions: 9.78"H x 8.69"W x 3.6"D

Kit Includes:

- 1 Junction box with DIN rail & terminal block
- 1 Compression fitting
- 1 Locknut
- 1 Silicone termination boot
- 1 Pipe standoff
- 1 O-ring
- 1 Self-regulating cable grommet
- 1 Constant wattage cable grommet
- 1 Line-sensing thermostat assembly

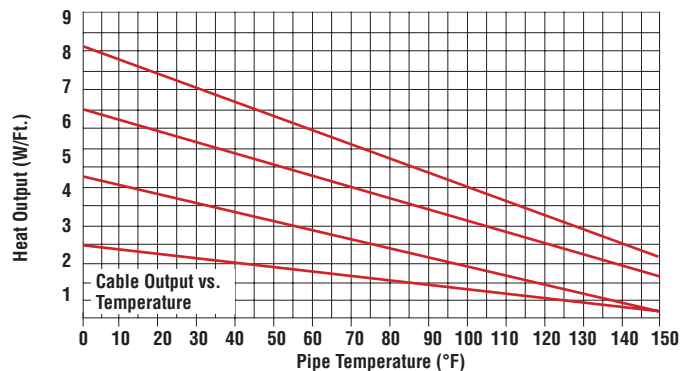


AT-1 Aluminum Tape Cable Attachments *PCN 383355*

180' roll aluminum foil installation tape with pressure sensitive acrylic adhesive. 2-mil thickness with high tensile strength; 2-1/2" wide. 200°F (93°C) rating. Minimum application temperatures 40°F (5°C).



Thermal Output Ratings on Plastic Pipe with Aluminum Tape



U Series Heat Trace Connection System Accessories *(cont'd.)*

FT-3 Fiberglass Tape Cable Attachments PCN 389941

66' roll glass cloth installation tape with pressure sensitive thermosetting adhesive. 3/8" wide. 310°F (155°C) rating. Strap at one foot intervals. Minimum application temperature 40°F (5°C).

Tape Type	Rolls Needed per 100' of Pipe						
	Pipe Dia. (In.)						
	1/2"	1	2	3	4	6	8
FT-3	0.6	1.2	4	4	6	8	10
AT-1	0.6	1.2	4	6	6	10	12

Use one foot of tape per foot of heated cable.



PS-1, PS-3, PS-10 Pipe Straps PCN 382352, 382360, 382379

Used for attaching UPC and UMC kits to pipe.

PS-1 1/2" to 3/4" pipes (PCN 382352)
PS-3 1" to 3-1/2" pipes (PCN 382360)
PS-10 2-1/2" to 9" pipes (PCN 382379)



Stripping Tool PCN 393510

For SR Cables, Blades for HSRM and SRL Cables included



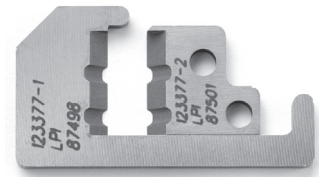
Replacement Blades

PCN 393529

Blade Set for Stripping HSRM and SRM/E Cables

PCN 393537

Blade Set for Stripping HSRM and SRL Cables



Conduit Hub w/Grounding Lug CCH-2 (385650)

Corrosion resistant hub for 3/4" conduit. Fits opening in PJB, DL, U Series and DTS. Includes ground connector.

