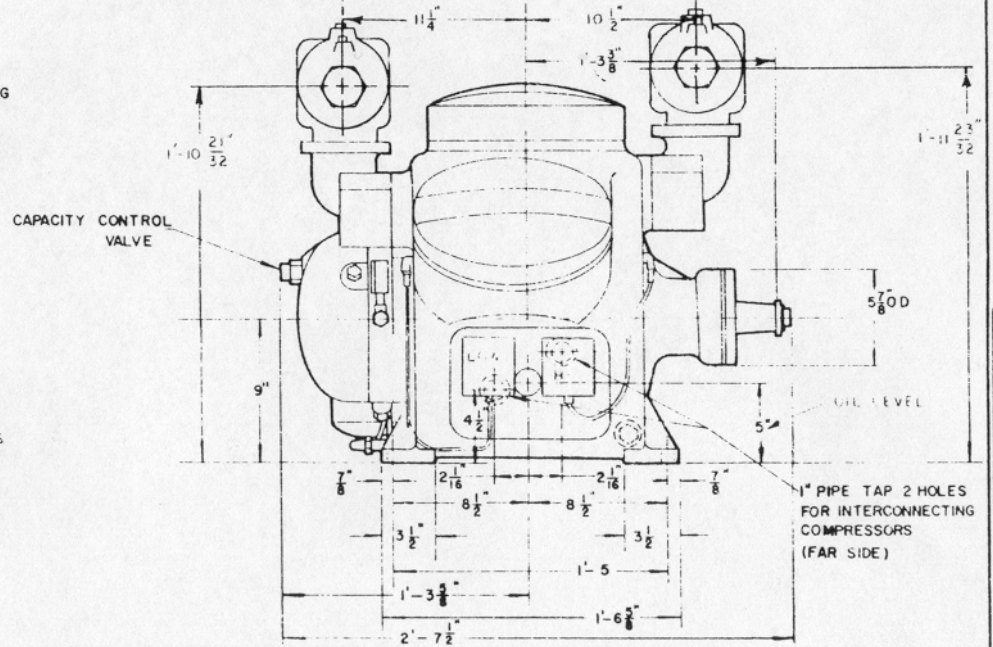
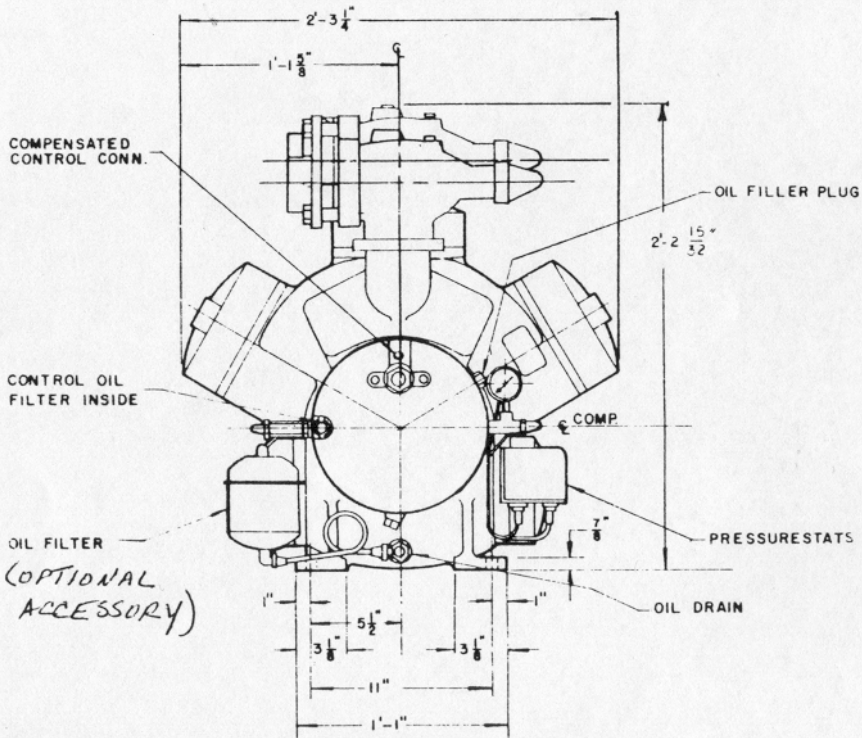
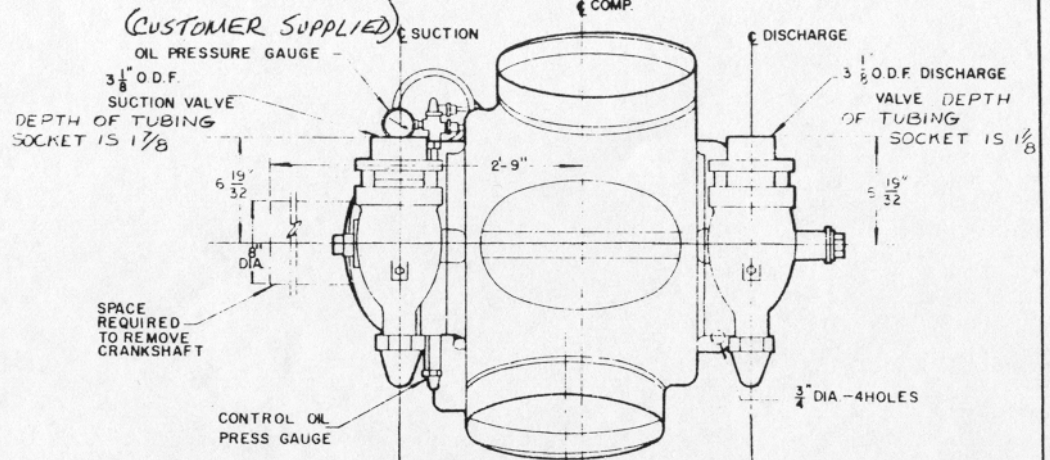


NOTES:

1. SHAFT DETAIL DRAWING 5F-531
2. COMPRESSOR MAY BE OPERATED IN EITHER DIRECTION OF ROTATION. STANDARD ROTATION IS COUNTER CLOCKWISE LOOKING FROM THE PUMP END; FOR REVERSE ROTATION ROTATE OIL PUMP 180°.
3. NET WEIGHT 795 LBS. INCLUDES OIL BUT NOT REFRIGERANT CHARGE.

FLYWHEEL	YES	NO
WATER COOLED HEADS	<input type="checkbox"/>	<input type="checkbox"/>
CRANKCASE COVER PLATES FOR COMPRESSOR INTERCONNECTION	<input type="checkbox"/>	<input type="checkbox"/>



Carrier

THIS DRAWING IS THE PERSONAL PROPERTY OF
 CARRIER AIR CONDITIONING COMPANY
 DIVISION OF CARRIER CORPORATION, SYCAMORE, N.Y.
 ALL USE IS PROHIBITED EXCEPT ON ITS WRITTEN CONSENT

5H

COMPRESSOR		COMPRESSOR ASSEMBLY		5H60-A201	REV.
MARK FOR _____		JOB NAME _____		DIMENSIONS CERTIFIED BY _____ DATE _____	
PART NO. _____ TYPE DRIVE: <input type="checkbox"/> DIRECT <input type="checkbox"/> BELT		JOB LOCATION _____		BUYER NO. _____ CARRIER NO. _____	
RPM _____ DESIGN BHP INPUT _____ MOTOR HP _____		BUYER _____		TONS. REFRIGERANT NO. _____	
SAT SUCTION TEMP. _____ F. SAT DISCHARGE TEMP. _____ F		REFRIGERATION EFFECT _____		DATE _____	
DATE: P.M.C. 3-20-73	SUPERSEDES: 5H-060, DATED 12-1-67	COMPRESSOR ASSEMBLY		5H60 & 5H66	