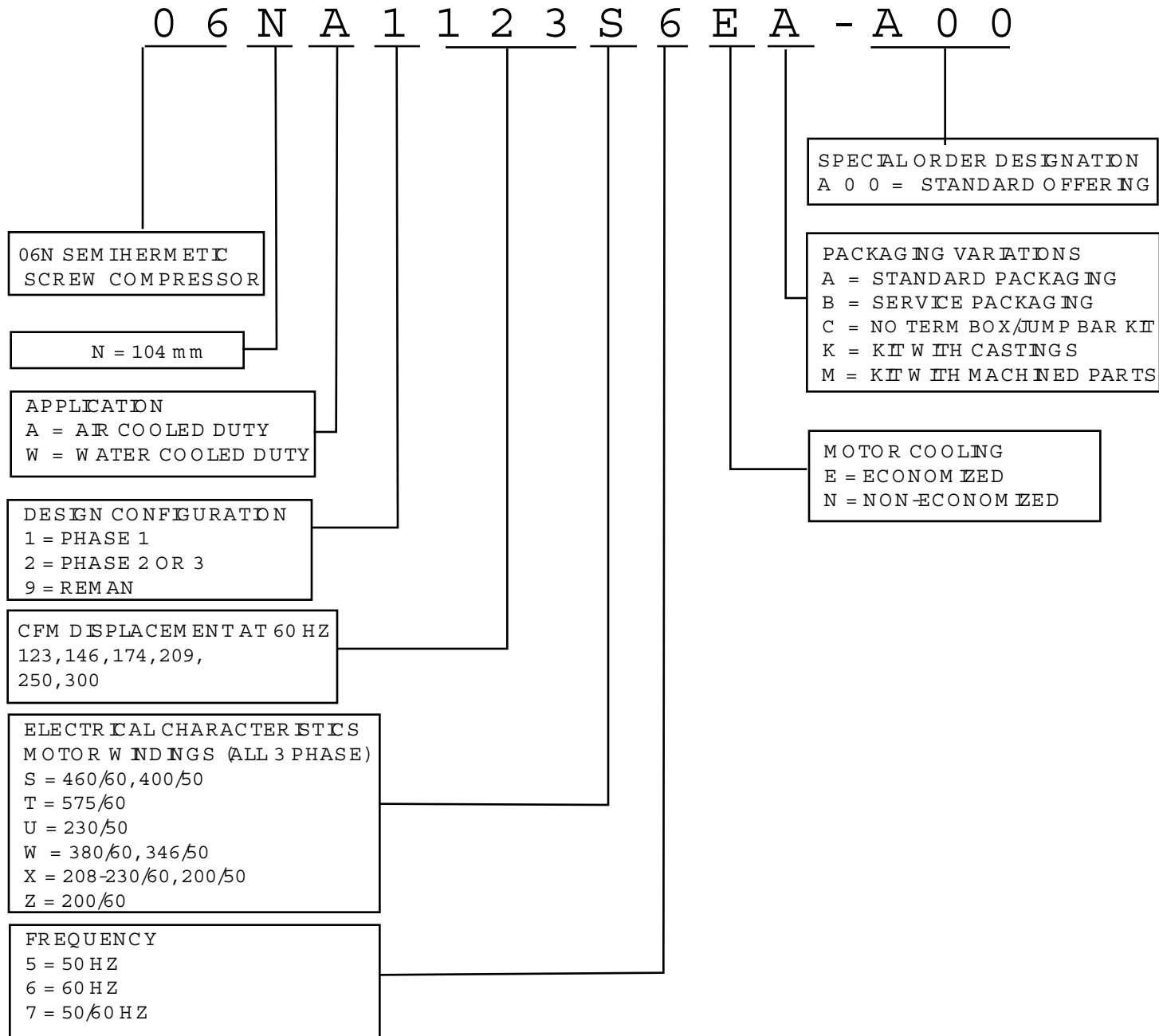


06N SCREW COMPRESSOR SIGNIFICANCE CHART



06N SCREW COMPRESSOR SIGNIFICANCE CHART

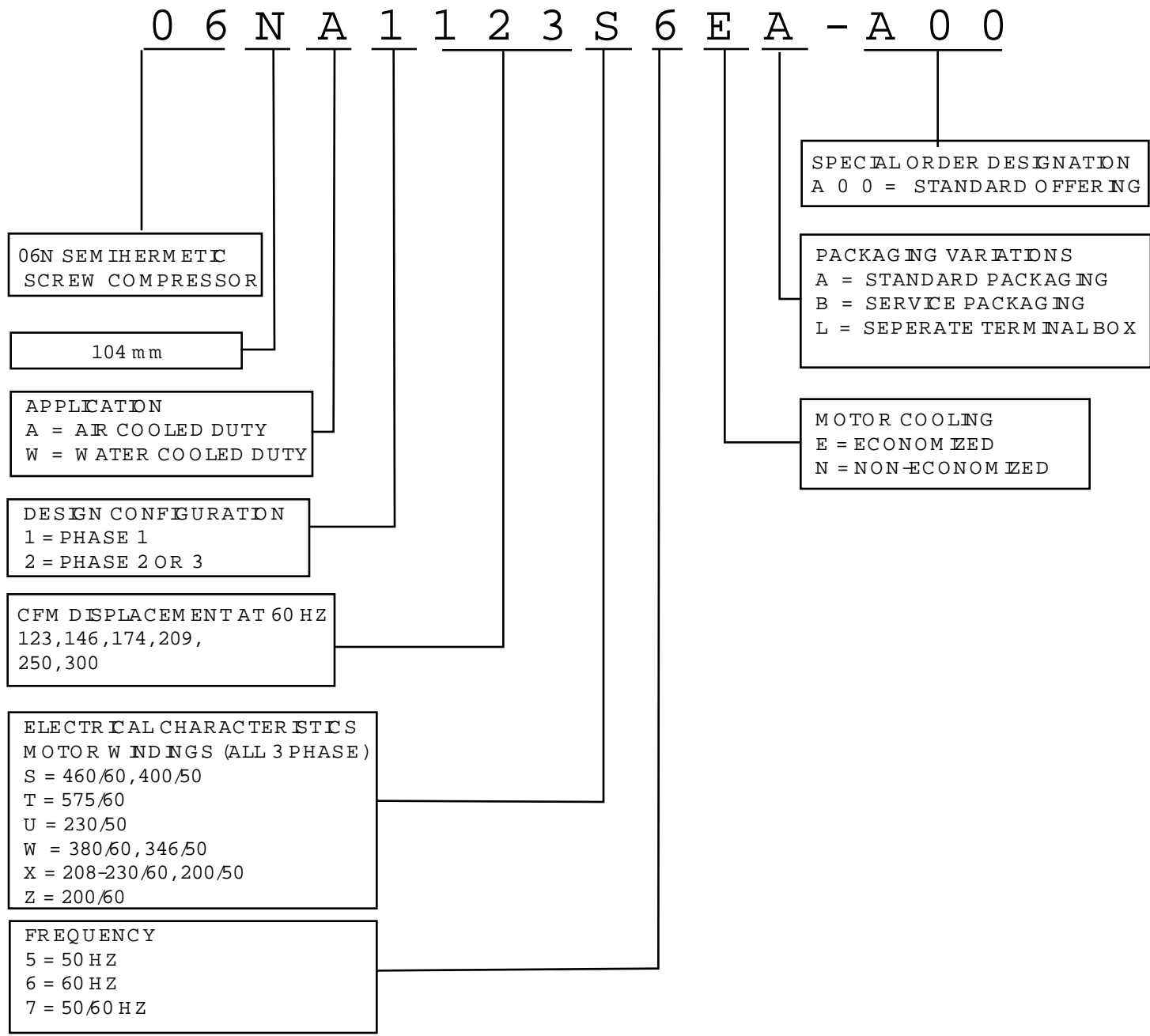


FIGURE 1 - MAIN COMPRESSOR VIEW

(COMPRESSOR SHOWN IS SSN3498JXXXXX)

(SEE FIGURE 7 FOR UNIQUE ITEMS USED ON EARLIER COMPRESSORS, PSN3498JXXXXX)

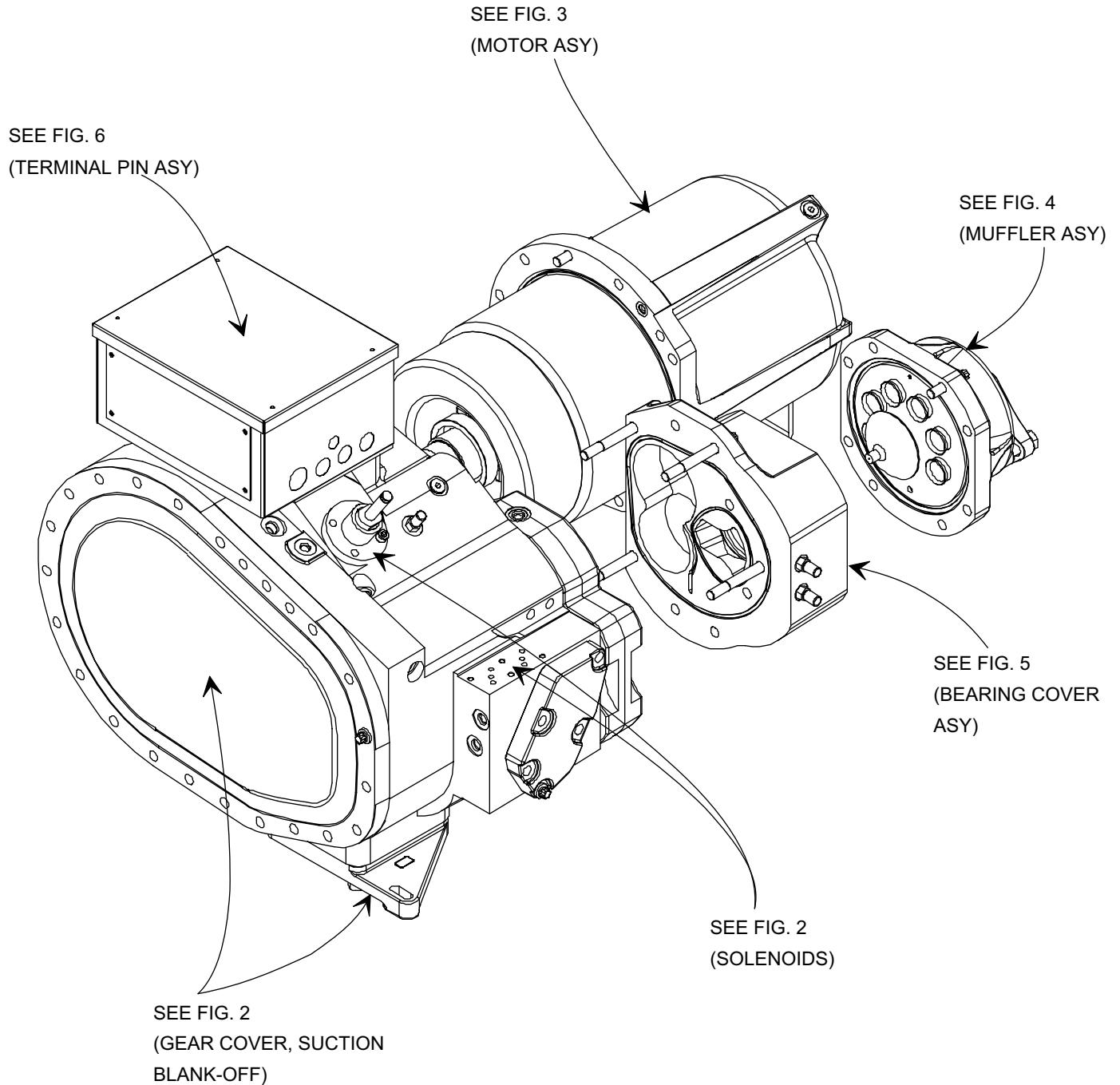
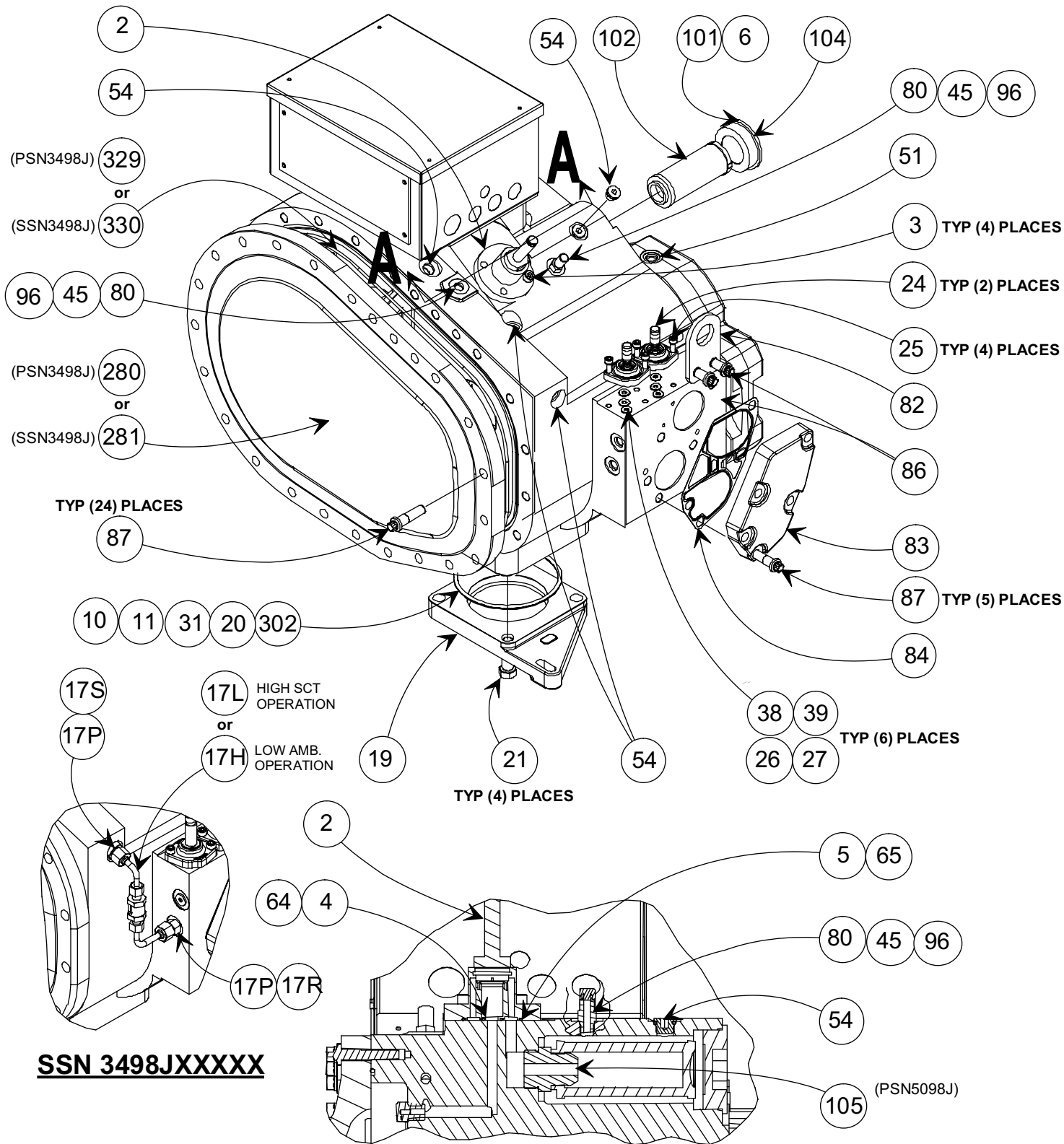


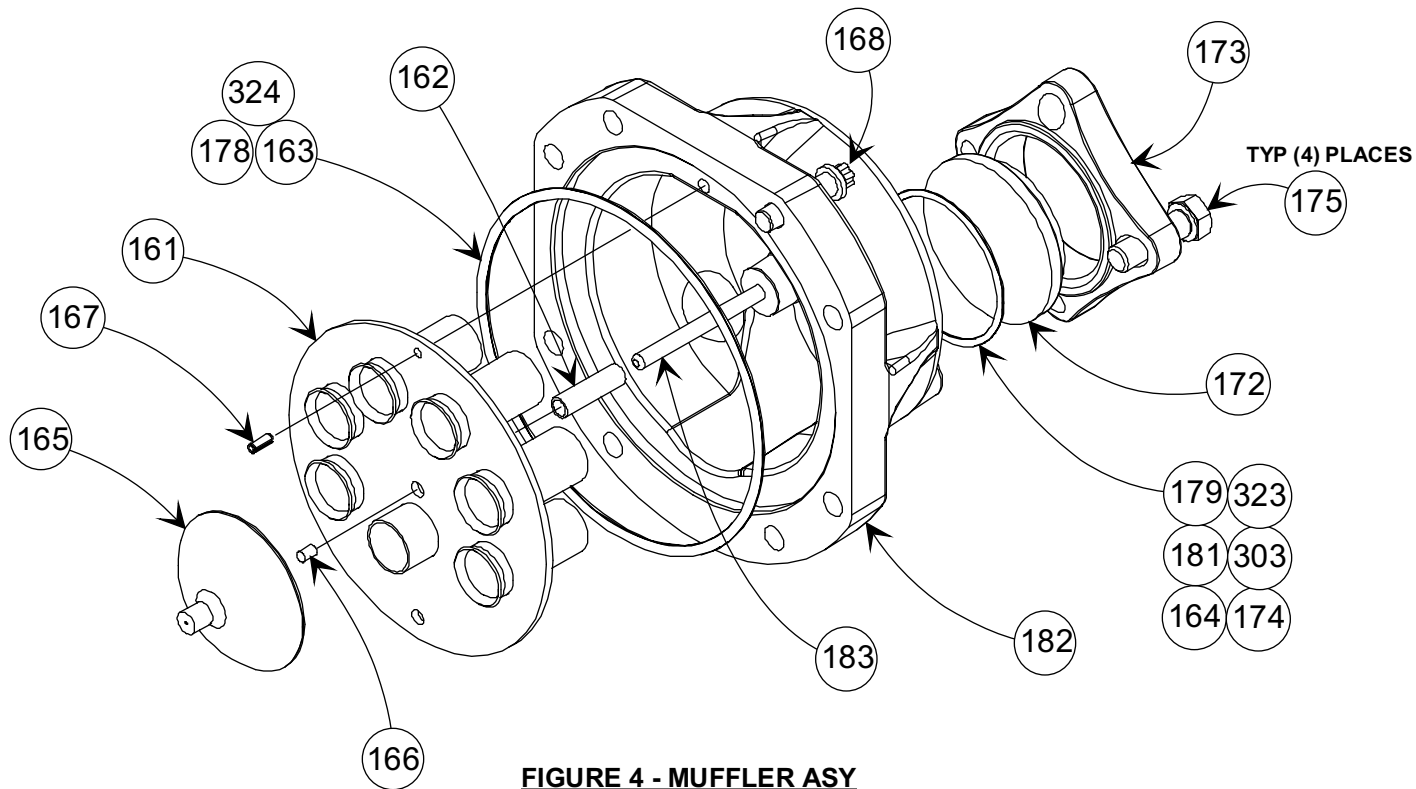
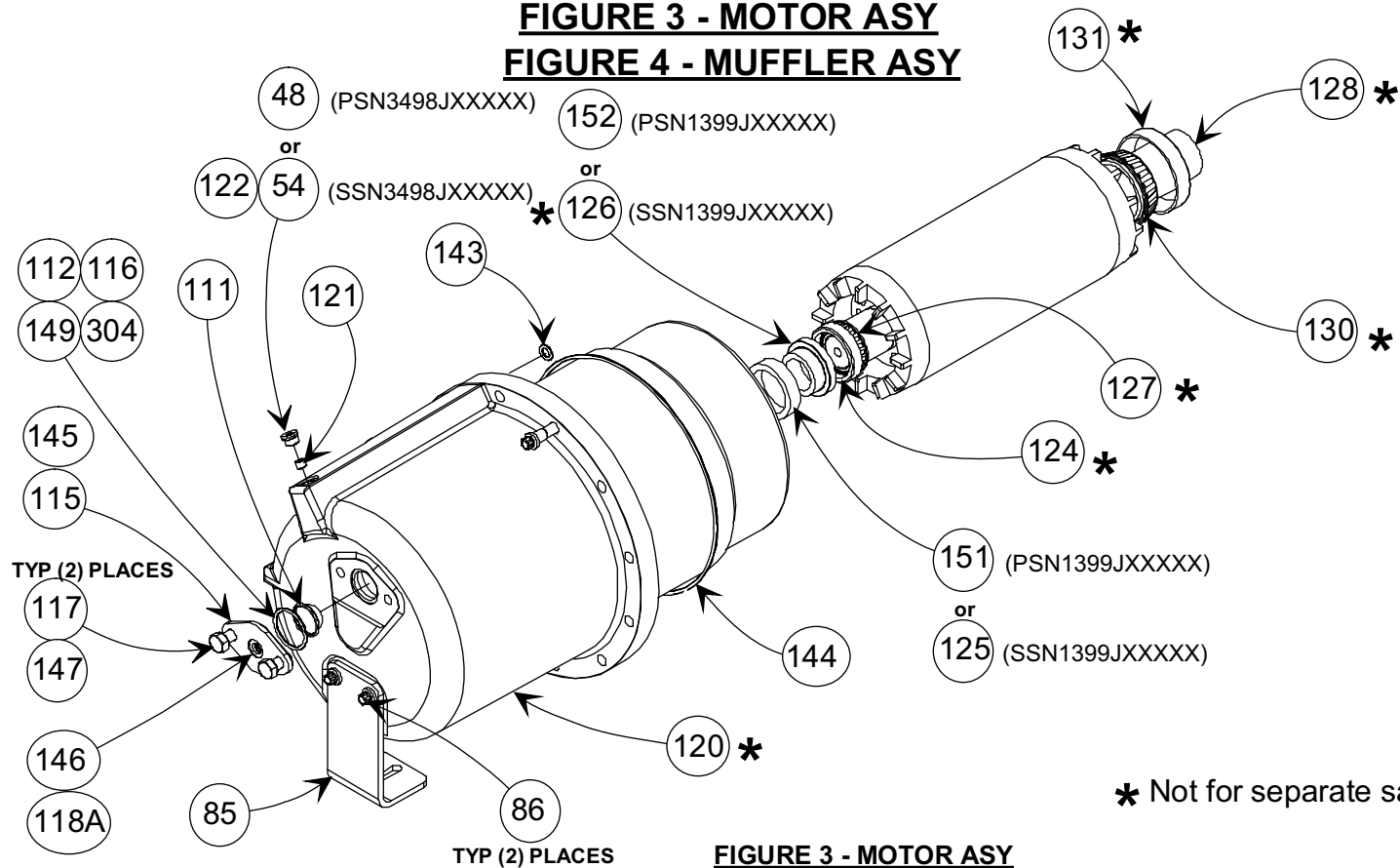
FIGURE 2 - SOLENOIDS, GEAR COVER, SUCTION BLANK-OFF



SSN 3498JXXXXX

SECTION A - A
(from this sheet)

FIGURE 3 - MOTOR ASY
FIGURE 4 - MUFFLER ASY



Motor Kits: Where Used					REF ONLY		
119 Kit #	30GX & HXA		30HXC		123 Stator #	129 Rotor #	
	Economized	Non-Economized	Economized	Non-Economized			
06NZJ23Y09				06NW*123X6N*	06NW*146X7N*	06N*J23Y53	06N*J23*52
06NZJ23H09				06NW*123S6N*	06NW*146S7N*	06N*J23H53	06N*J23*52
06NZJ23J09				06NW*123T6N*	06NW*146T6N*	06N*J23J53	06N*J23*52
06NZJ23T09				06NW*123W6N*	06NW*146W7N*	06N*J23T53	06N*J23*52
06NZJ23L09					06NW*146U5N*	06N*J23L53	06N*J23*52
06NZJ23F09				06NW*123Z6N*	06NW*146Z6N*	06N*J23F53	06N*J23*52
06NZK23Y09			06NW*146X7E*	06NW*174X7N*		06N*K23Y53	06N*K23*52
06NZK23H09			06NW*146S7E*	06NW*174S7N*		06N*K23H53	06N*K23*52
06NZK23J09			06NW*146T6E*	06NW*174T6N*		06N*K23J53	06N*K23*52
06NZK23T09			06NW*146W7E*	06NW*174W7N*		06N*K23T53	06N*K23*52
06NZK23L09			06NW*146U5E*	06NW*174U5N*		06N*K23L53	06N*K23*52
06NZK23F09			06NW*146Z6E*	06NW*174Z6N*		06N*K23F53	06N*K23*52
06NZM23Y09		06NA*123X6N*	06NW*174X7E*	06NW*209X7N*		06N*M23Y53	06N*M23*52
06NZM23H09		06NA*123S6N*	06NW*174S7E*	06NW*209S7N*		06N*M23H53	06N*M23*52
06NZM23J09		06NA*123T6N*	06NW*174T6E*	06NW*209T6N*		06N*M23J53	06N*M23*52
06NZM23T09		06NA*123W6N*	06NW*174W7E*	06NW*209W7N*		06N*M23T53	06N*M23*52
06NZM23L09			06NW*174U5E*	06NW*209U5N*		06N*M23L53	06N*M23*52
06NZM23F09		06NA*123Z6N*	06NW*174Z6E*	06NW*209Z6N*		06N*M23F53	06N*M23*52
06NZP23Y09	06NA*123X6E*	06NA*146X7N*	06NW*209X7E*	06NW*250X7N*		06N*P23Y53	06N*P23*52
06NZP23H09	06NA*123S6E*	06NA*146S7N*	06NW*209S7E*	06NW*250S7N*		06N*P23H53	06N*P23*52
06NZP23J09	06NA*123T6E*	06NA*146T6N*	06NW*209T6E*	06NW*250T6N*		06N*P23J53	06N*P23*52
06NZP23T09	06NA*123W6E*	06NA*146W7N*	06NW*209W7E*	06NW*250W7N*		06N*P23T53	06N*P23*52
06NZP23L09		06NA*146U5N*	06NW*209U5E*	06NW*250U5N*		06N*P23L53	06N*P23*52
06NZP23F09	06NA*123Z6E*	06NA*146Z6N*	06NW*209Z6E*	06NW*250Z6N*		06N*P23F53	06N*P23*52
06NZQ23Y09	06NA*146X7E*	06NA*174X7N*	06NW*250X7E*	06NW*300X5N*		06N*Q23Y53	06N*Q23*52
06NZQ23H09	06NA*146S7E*	06NA*174S7N*	06NW*250S7E*	06NW*300S5N*		06N*Q23H53	06N*Q23*52
06NZQ23J09	06NA*146T6E*	06NA*174T6N*	06NW*250T6E*			06N*Q23J53	06N*Q23*52
06NZQ23T09	06NA*146W7E*	06NA*174W7N*	06NW*250W7E*	06NW*300W5N*		06N*Q23T53	06N*Q23*52
06NZQ23L09	06NA*146U5E*	06NA*174U5N*	06NW*250U5E*	06NW*300U5N*		06N*Q23L53	06N*Q23*52
06NZQ23F09	06NA*146Z6E*	06NA*174Z6N*	06NW*250Z6E*			06N*Q23F53	06N*Q23*52
06NZR23Y09	06NA*174X7E*	06NA*209X7N*	06NW*300X5E*			06N*R23Y53	06N*R23*52
06NZR23H09	06NA*174S7E*	06NA*209S7N*	06NW*300S5E*			06N*R23H53	06N*R23*52
06NZR23J09	06NA*174T6E*	06NA*209T6N*				06N*R23J53	06N*R23*52
06NZR23T09	06NA*174W7E*	06NA*209W7N*	06NW*300W5E*			06N*R23T53	06N*R23*52
06NZR23L09	06NA*174U5E*	06NA*209U5N*	06NW*300U5E*			06N*R23L53	06N*R23*52
06NZR23F09	06NA*174Z6E*	06NA*209Z6N*				06N*R23F53	06N*R23*52
06NZS23Y09	06NA*209X7E*	06NA*250X7N*				06N*S23Y53	06N*S23*52
06NZS23H09	06NA*209S7E*	06NA*250S7N*				06N*S23H53	06N*S23*52
06NZS23J09	06NA*209T6E*	06NA*250T6N*				06N*S23J53	06N*S23*52
06NZS23T09	06NA*209W7E*	06NA*250W7N*				06N*S23T53	06N*S23*52
06NZS23L09	06NA*209U5E*	06NA*250U5N*				06N*S23L53	06N*S23*52
06NZS23F09	06NA*209Z6E*	06NA*250Z6N*				06N*S23F53	06N*S23*52
06NZU23Y09	06NA*250X7E*	06NA*300X5N*				06N*U23Y53	06N*U23*52
06NZU23H09	06NA*250S7E*	06NA*300S5N*				06N*U23H53	06N*U23*52
06NZU23J09	06NA*250T6E*					06N*U23J53	06N*U23*52
06NZU23T09	06NA*250W7E*	06NA*300W5N*				06N*U23T53	06N*U23*52
06NZU23L09	06NA*250U5E*	06NA*300U5N*				06N*U23L53	06N*U23*52
06NZU23F09	06NA*250Z6E*					06N*U23F53	06N*U23*52
06NZW23Y09	06NA*300X5E*					06N*W23Y53	06N*W23*52
06NZW23H09	06NA*300S5E*					06N*W23H53	06N*W23*52
06NZW23T09	06NA*300W5E*					06N*W23T53	06N*W23*52
06NZW23L09	06NA*300U5E*					06N*W23L53	06N*W23*52

FIGURE 5 - BEARING COVER ASY

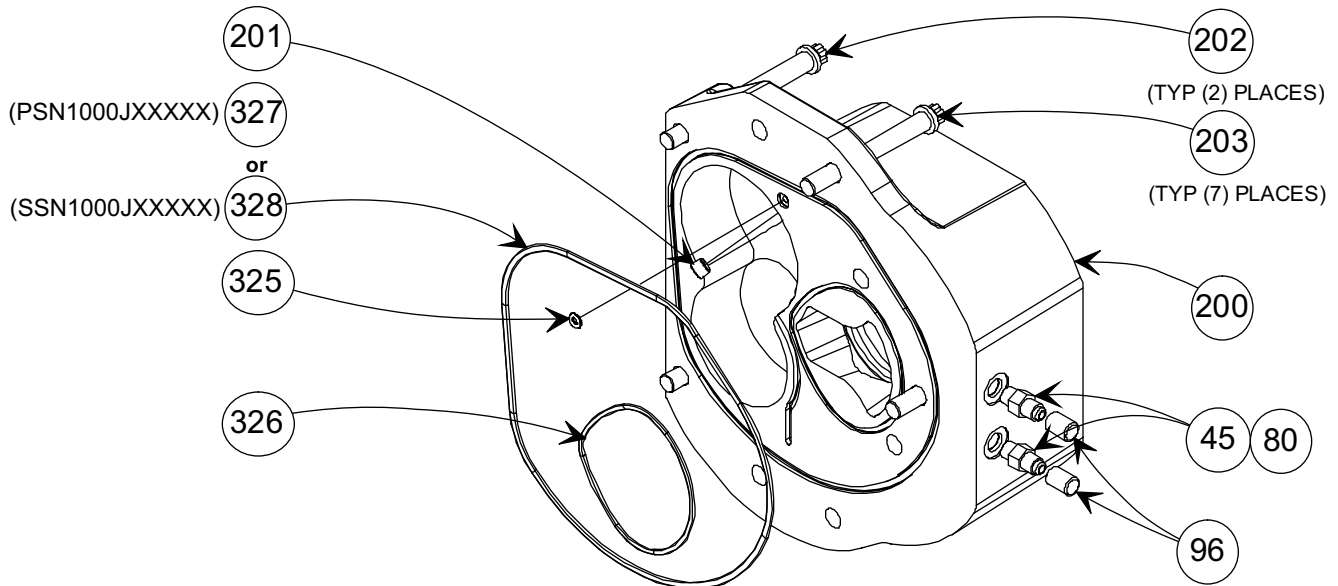
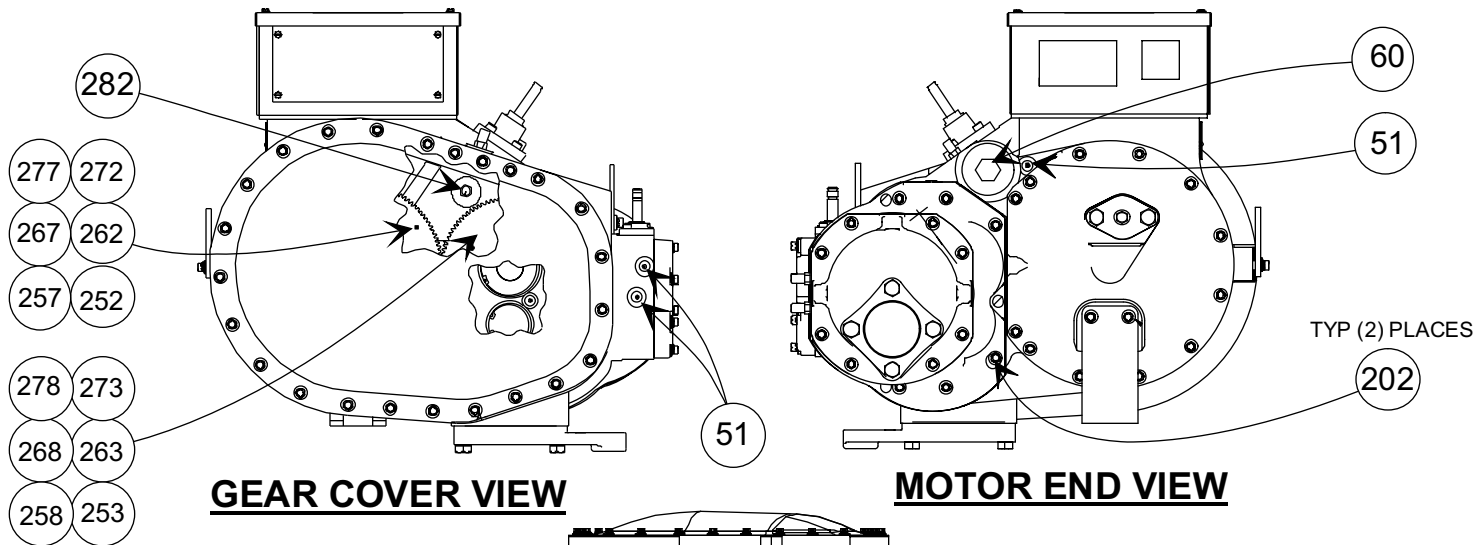
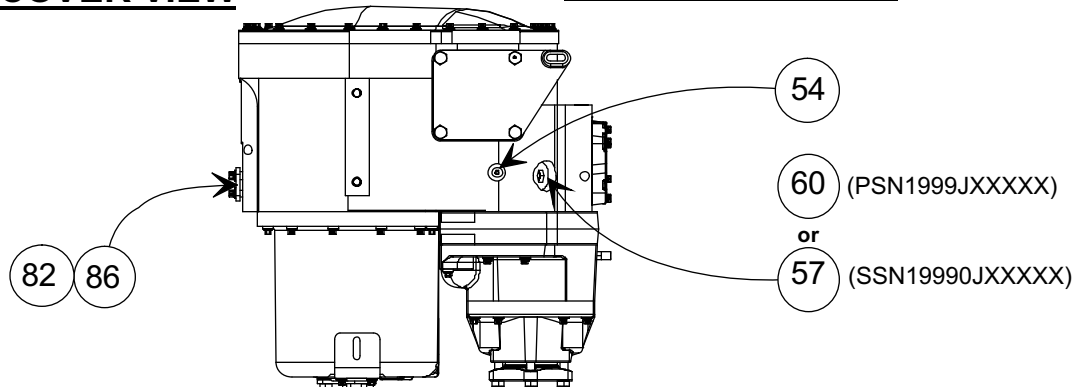


FIGURE 5 - BEARING COVER ASY



GEAR COVER VIEW

MOTOR END VIEW



BOTTOM VIEW

FIGURE 6 - TERMINAL PIN ASY

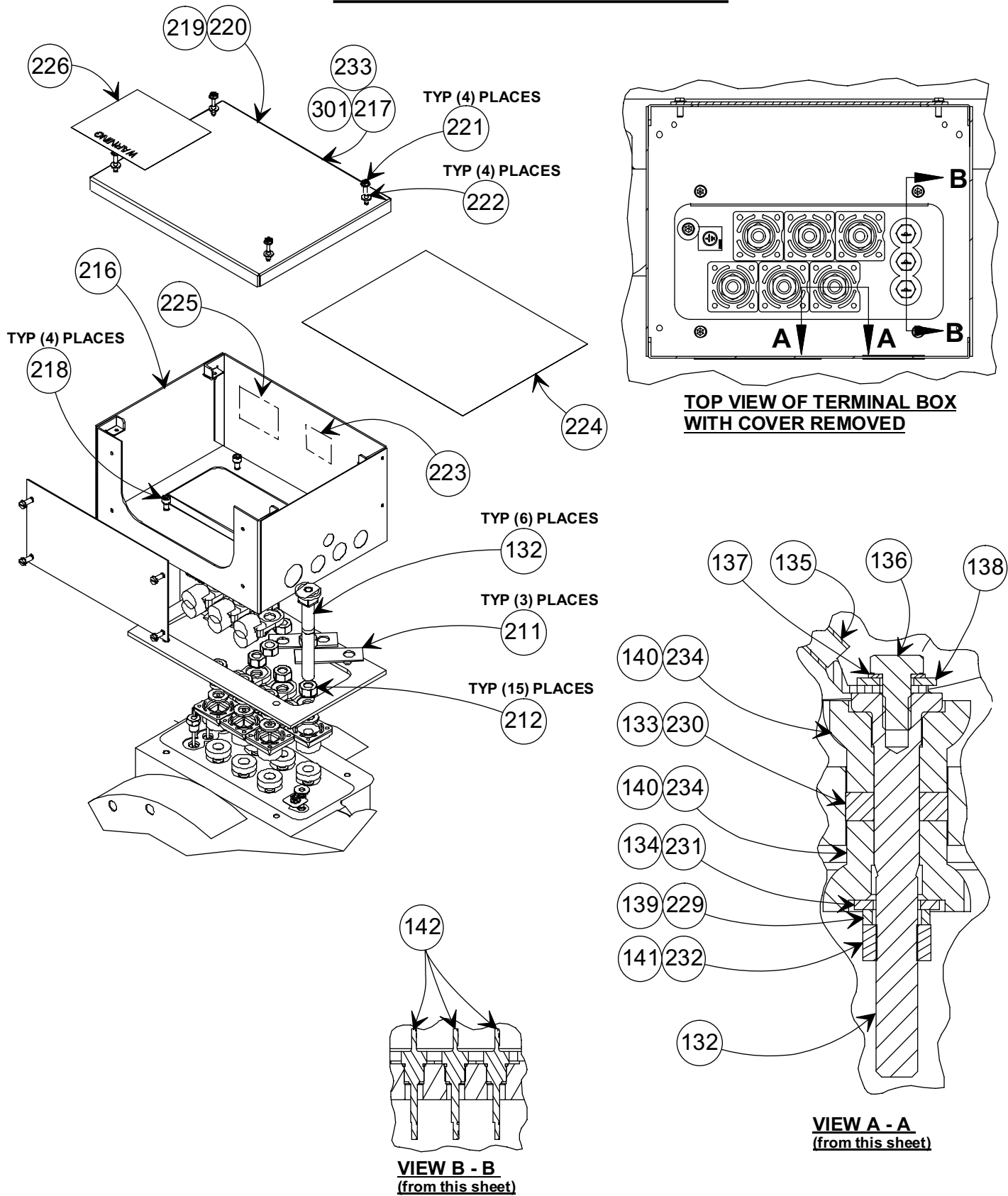
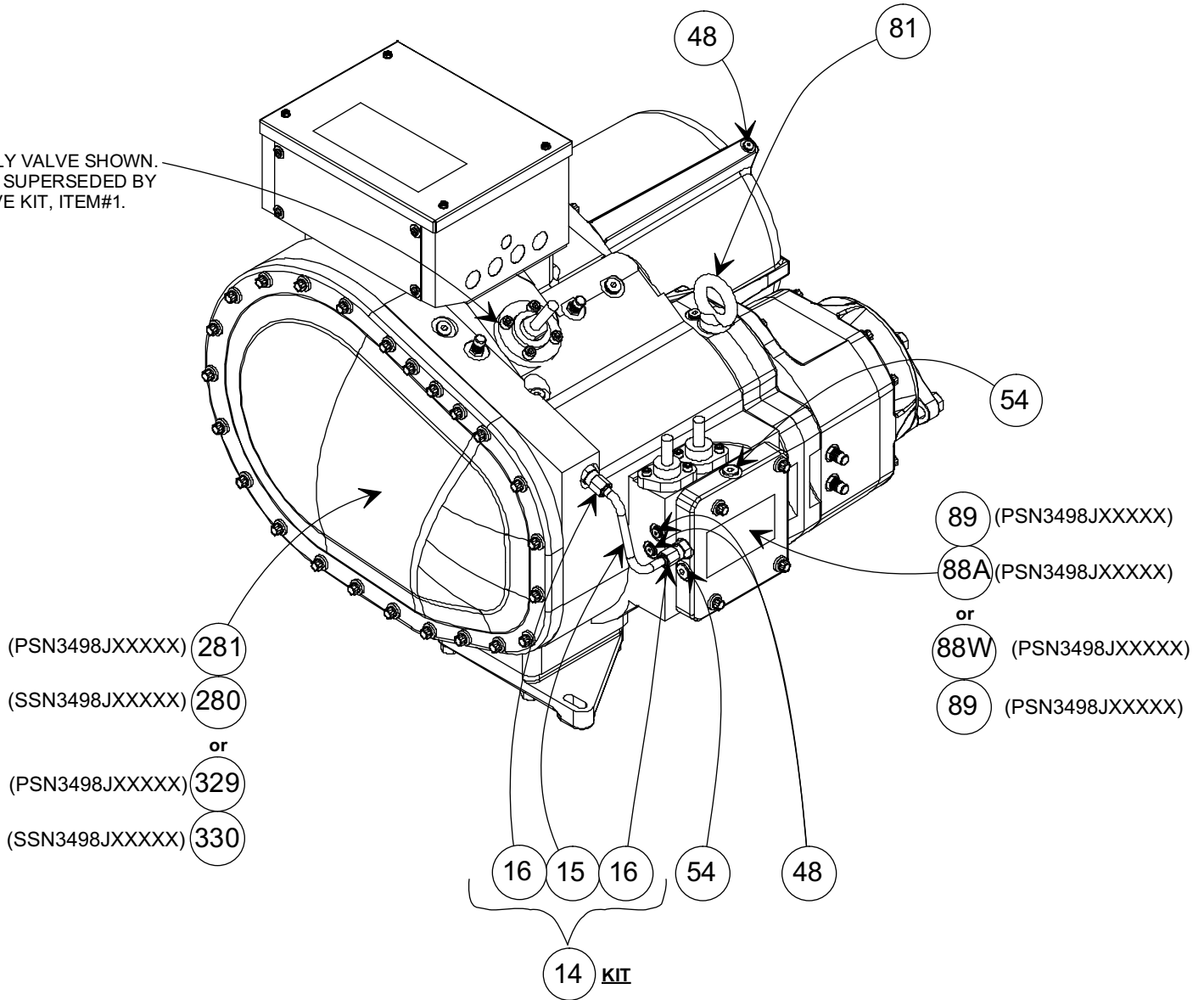


FIGURE 7 - UNIQUE ITEMS USED ON EARLIER COMPRESSORS

(COMPRESSOR SHOWN IS PSN3498JXXXXX)

EARLY VALVE SHOWN.
WAS SUPERSEDED BY
VALVE KIT, ITEM#1.



Model/Sales Package: 06NA/NW.....
Model 06NA/NW.....

Description 104 MM OPEN DRIVE/SEMI-HERMETIC SCREW COMPRESSOR, ALL MODELS

Itm#	Qty	Rec	Part Number	Description
1	1	-	06NA660001	COMPR OIL SOLENOID VALVE PKG.: (check valve is no longer available, see SMB990003)
2	1	-	8TB0884	> SOL.VALVE(COIL S/S,SEE ITEMS 75-78)
3	4	-	8TB0670	> M8X1.25X25 S.H.C.S.
4	1	-	8TB0274	> OIL SOLENOID VALVE O-RING
5	1	-	8TB0276	> OIL SOLENOID VALVE O-RING
6	1	-	8TB0847	> FILTER PLUG O-RING
7	1	-	KLE-LLM6	> 6MM ALLEN HEAD WRENCH
8	1	-	99TA516057	> INSTRUCTION SHEET
9	1	-	06NA660005	COMPR SUCTION SCREEN PKG.
10	1	-	2TB0773	> SUCTION SCREEN
11	1	-	KK71EW354	> SUCTION O-RING
12	1	-	19XL680001	> O-RING GREASE
13	1	-	99TA516062	> INSTRUCTION SHEET
14	1	-	06NA660006	COMPR ROTOR INJECT. OIL LINE PKG.
15	1	-	0TB0652	> ROTOR INJECTION OIL LINE
16	2	-	8TB0654	> ROTOR INJECTION OIL LINE FITTIN
17	1	-	99TA516063	> INSTRUCTION SHEET
17G	1	-	06NA660039	ROTOR INJECTION LINE KIT(HIGH SCT OPER.)
17H	1	-	1TB1024	> OIL LINE ASSEMBLY
17J	1	-	99TA526318	> INSTRUCTION SHEET
17K	1	-	06NA660040	ROTOR INJECTION LINE KIT(LOW AMB. OPER.)
17L	1	-	1TB1025	> OIL LINE ASSEMBLY
17M	1	-	99TA526318	> INSTRUCTION SHEET
17N	1	-	06NA660041	O-RING KIT, OIL INJECTION LINE: (GOOD FOR BOTH ITEMS 17G & 17K)
17P	2	-	2-011N0552	> O-RING
17R	1	-	8TB1033	> O-RING
17S	1	-	8TB1032	> O-RING
18	1	-	06NA660010	COMPR SUCTION SHIPPING PLATE PKG.
19	1	-	1TB0534	> SUCTION COVER PLATE
20	1	-	KK71EW354	> SUCTION O-RING
21	4	-	8TB0454	> M14X2.00X65
22	1	-	99TA516067	> INSTRUCTION SHEET
23	1	-	06NA660011	COMPR UNLOADER SOLENOID PKG.
24	1	-	8TA0049D	> SOL.VALVE(COIL S/S,SEE ITEMS 75-78)
25	2	-	8TB0675	> M6X1.00X20 S.H.C.S.
26	3	-	8TB0279	> UNLOADER VALVE O-RING
27	1	-	2TB1009	> GASKET,UNLOADER SOLENOID
28	1	-	KLE-LLM5	> 5MM ALLEN HEAD WRENCH
29	1	-	99TA516058	> INSTRUCTION SHEET
30	1	-	06NA660012	SUCTION O-RING PKG.
31	1	-	KK71EW354	> SUCTION O-RING
32	1	-	99TA516072	> INSTRUCTION SHEET
33	1	-	19XL680001	> O-RING GREASE
37	1	-	06NA660017	LOAD/UNLOAD SOLENOID O-RING KIT
38	3	-	8TB0279	> O-RING
39	1	-	2TB1009	> GASKET,UNLOADER
40	1	-	99TA516058	> INSTRUCTION SHEET
45	1	-	06NA660019	SCHRAEDER ACCESS FITTING KIT
46	1	-	0TB0889	> 7/16-20 SCHRAEDER FITTING
47	1	-	99TA519003	> INSTRUCTION SHEET
48	1	-	06NA660020	1/8" SAE PLUG KIT
49	1	-	8TA0141C	> 1/8" SAE PLUG(5/16-24)
50	1	-	99TA519003	> INSTRUCTION SHEET
51	1	-	06NA660021	1/4" SAE PLUG KIT
52	1	-	8TA0142C	> 1/4" SAE PLUG(7/16-20)

Itm#	Qty	Rec	Part Number	Description
53	1	-	99TA519003	> INSTRUCTION SHEET
54	1	-	06NA660022	3/8" SAE PLUG KIT
55	1	-	8TB0220	> 3/8" SAE PLUG(9/16-18)
56	1	-	99TA519003	> INSTRUCTION SHEET
57	1	-	06NA660023	1-1/4" SAE PLUG KIT
58	1	-	8TB0692	> 1-1/4" SAE PLUG(1-5/8-12)
59	1	-	99TA519003	> INSTRUCTION SHEET
60	1	-	06NA660024	2" SAE PLUG KIT
61	1	-	8TB0462	> 2" SAE PLUG(2-1/2-12)
62	1	-	99TA519003	> INSTRUCTION SHEET
63	1	-	06NA660025	OIL CONTROL SOLENOID O-RING KIT
64	1	-	8TB0274	> OIL SOLENOID VALVE O-RING
65	1	-	8TB0276	> OIL SOLENOID VALVE O-RING
66	1	-	99TA516057	> INSTRUCTION SHEET
75	1	-	06DA401834	COIL,24V DC (FOR ITEMS #2 OR #24)
76	1	-	EF19ZE024	COIL,24V AC (FOR ITEMS #2 OR #24)
77	1	-	EF19ZE120	COIL,120V AC (FOR ITEMS #2 OR #24)
78	1	-	EF19ZE240	COIL,202/240V AC (FOR IT'S #2 OR #24)
80	2	-	2564-00266	O-RING
81	1	-	8TB0474	COMPR LIFTING LUG-M14
82	2	-	2TB0469	LIFTING PLATE,COMPRESSOR
83	1	-	2TB1003	UNLOADER COVER PLATE(SSN3498JXXXXX)
84	1	-	06NA660038	UNLOADER CVR PLATE GSKT KIT(SSN3498JXXXX)
84A	1	-	2TB0907	> GASKET,UNLOADER COVER
84B	1	-	99TA526316	> INSTRUCTION SHEET
85	1	-	1TB0312	MOTOR FOOT MOUNTING PLATE
86	6	-	8TB0471	FASTENER M12 X 20 LG
87	1	-	8TB0400	TORX HEAD FASTENER,M12X45 LG.
88A	1	-	1TB0894	SQ. UNLOADER CVR PLATE(PSN3498J): (for use with air cooled units)
88W	1	-	1TB0895	SQ. UNLOADER CVR PLATE(PSN3498JXXXXX): (for use with water cooled units)
89	1	-	06NA660037	SQ. UNLOADER CVR O-RING KIT(PSN3498J)
90	2	-	8TB0280	> O-RING
91	2	-	8TB0281	> O-RING
92	2	-	8TB0279	> O-RING
93	1	-	99TA526313	> INSTRUCTION SHEET
95	4	-	8TB0401	TORX HEAD FASTENER,M12X60 LG.
96	1	-	DD19CA061	FLARE CAP
100	1	-	06NA660028	COMPR OIL FILTER ELEMENT(INTERNAL)
101	1	-	8TB0847	> FILTER PLUG O-RING
102	1	-	8TB0320	> OIL FILTER ELEMENT
103	1	-	99TA516075	> INSTRUCTION SHEET
104	1	-	8TB0462	COMPR OIL FILTER PLUG
105	1	-	2TB0985	OIL FILTER ADAPTER
110	1	-	06NA660007	COMPR ECONOMIZER SCREEN PKG.
111	1	-	8TB0676	> ECONOMIZER SCREEN
112	1	-	KK71EW223	> ECONOMIZER O-RING
113	1	-	99TA516064	> INSTRUCTION SHEET
114	1	-	06NA660009	COMPR ECON. SHIPPING PLATE PKG.
115	1	-	2TB0997	> ECONOMIZER COVER PLATE
116	1	-	KK71EW223	> ECONOMIZER O-RING
117	2	-	8TB0396	> M12X1.75X35
118	1	-	99TA516066	> INSTRUCTION SHEET
118A	1	-	05GA501762	> PLUG
119	1	-	SEEIMAGE06018005	COMPRESSOR MOTOR REPLACEMENT KIT
120	1	-	1TB0484(NSS)	> MOTOR HOUSING
121	1	-	1TB0957	> ORIFICE
122	1	-	8TB0220	> 3/8" SAE PLUG(9/16-18 THREADED)

Itm#	Qty	Rec	Part Number	Description
123	1	-	NSS	> STATOR
124	1	-	8TB0173(NSS)	> MOTOR SHAFT BEARING CUP
125	1	-	8TB0923(NSS)	> MOTOR SHAFT SPRING(SSN1399J): (see item#151 for PSN part)
126	1	-	2TB0781(NSS)	> MOTOR SHAFT BACKER(SSN1399J): (see item#152 for PSN part)
127	1	-	8TB0172(NSS)	> MOTOR SHAFT BEARING CONE
128	1	-	1TB0548(NSS)	> MOTOR SHAFT
129	1	-	NSS	> MOTOR ROTOR
130	1	-	8TB0169(NSS)	> MOTOR SHAFT BEARING CONE(GEAR END)
131	1	-	8TB0170(NSS)	> MOTOR SHAFT BEARING CUP(GEAR END)
132	6	-	8TB0821	> TERMINAL PINS
133	6	-	8TB0663	> TERMINAL PIN GROMMET(SEAL)
134	6	-	8TB0878	> TERMINAL PIN WASHER
135	6	-	8TB0708	> MOTOR LEAD CRIMP LUG
136	6	-	8TB0703	> TERMINAL PIN BOLT
137	6	-	8TB0711	> BELLEVILLE WASHER
138	6	-	AU01AA201	> FLAT WASHER (INTERNAL)
139	6	-	AU61ML301	> LOCK WASHER
140	12	-	8TB0883	> INSULATOR BLOCK
141	18	-	8TB0928	> BRASS NUT
142	3	-	06NA660042	> SENSOR PINS
143	1	-	8TB0283	> O-RING
144	1	-	8TB0286	> O-RING,MOTOR HOUSING
145	1	-	2TB0997	> ECONOMIZER SHIPPING PLATE
146	1	-	05GA501762	> SAE PLUG(7/16-20)
147	2	-	8TB0396	> HEX HEAD BOLT
148	1	-	99TA526307	> INSTRUCTIONS
149	1	-	KK71EW223	COMPR ECONOMIZER O-RING
150	1	-	32MP500354	STATOR SENSOR
151	1	-	2TB0102	MOTOR SHAFT SPRING(PSN1399J)
152	1	-	2TB0681	MOTOR SHAFT BACKER(PSN1399J)
160	1	-	06NA660004	COMPR CHECK VALVE/MUFF. KIT
161	1	-	0TB0231	> MUFFLER BAFFLE PLATE
162	1	-	2TB0254	> SUPPORT TUBE
163	1	-	8TB0291	> MUFFLER CASING O-RING
164	1	-	KK71EW234	> DISCHARGE LINE O-RING
165	1	-	1TB0946	> DISCHARGE CHECK VALVE
166	1	-	2TB0774	> SHOCK ABSORBER
167	1	-	8TB0245	> ROLL PIN
168	8	-	8TB0400	> M12 X 1.75 X 45 TORX BOLT
169	1	-	PSLE140	> TORX HEAD WRENCH (E14)
170	1	-	99TA516061	> INSTRUCTION SHEET
171	1	-	06NA660008	COMPR DISCH. SHIPPING PLATE PKG.
172	1	-	1TB0247	> DISCHARGE COVER PLATE
173	1	-	8TB0455	> CAST COLLAR
174	1	-	KK71EW234	> DISCHARGE LINE O-RING
175	4	-	8TB0454	> M14X2.00X65
176	1	-	99TA516065	> INSTRUCTION SHEET
177	1	-	06NA660018	MUFFLER O-RING KIT
178	1	-	8TB0291	> O-RING
179	1	-	KK71EW234	> O-RING
180	1	-	99TA516061	> INSTRUCTION SHEET
181	1	-	KK71EW234	COMPR DISCHARGE O-RING
182	1	-	1TB0487	MUFFLER
183	1	-	8TB0233	CHECK VALVE DOWEL
200	1	-	1TB0980	BEARING COVER
201	1	-	2TB0956	> ORIFICE, BEARING COVER
202	2	-	8TB0398	TORX HEAD BOLT M12 X 120 LG

Itm#	Qty	Rec	Part Number	Description
203	7	-	8TB0399	TORX HEAD BOLT M12 X 100 LG
210	1	-	06NA660002	COMPR TERM. JUMPER BAR KIT
211	3	-	1TB0459	> JUMPER BAR
212	15	-	8TB0928	> JAM NUT
213	1	-	FC024A	> 3/4" CROWSFOOT WRENCH
214	1	-	99TA516059	> INSTRUCTION SHEET
215	1	-	06NA660003	COMPR TERM. BOX KIT
216	1	-	3TB0817	> TERMINAL BOX
217	1	-	3TB0818	> TERMINAL BOX GASKET
218	4	-	8TB0671	> M6X1.25X10 S.H.C.S.
219	1	-	3TB0688	> TERMINAL BOX COVER
220	1	-	2TB0684	> TERMINAL BOX COVER GASKET
221	4	-	2TB0716	> TERMINAL BOX SCREW
222	4	-	8TB0683	> TERMINAL BOX COVER SCREW WASHER
223	1	-	06DA508142	> LABEL,WARNING
224	1	-	2TB0713	> LABEL,WIRING
225	1	-	2TB0846	> LABEL,METRIC
226	1	-	06DA502503	> LABEL,WARNING
227	1	-	99TA516060	> INSTRUCTION SHEET
228	1	-	06NA660026	TERMINAL PIN SEAL REPLACEMENT KIT
229	6	-	AU61ML301	> TERMINAL PIN LOCKWASHER
230	6	-	8TB0663	> TERMINAL PIN SEAL
231	6	-	8TB0878	> TERMINAL PIN FLAT WASHER
232	18	-	8TB0928	> TERMINAL PIN NUT
233	1	-	3TB0818	> COMPRESSOR TERMINAL BOX GASKET
234	6	-	8TB0883	> TERMINAL PIN INSULATOR BLOCK
235	1	-	99TA526296	> INSTRUCTION SHEET
250	1	-	06NA660031	123 CFM DRIVE/PINION GEAR KIT: (CFM designated by "6,7,8" digit in compressor model number)
252	1	-	2TB0448	> GEAR,DRIVE
253	1	-	2TB0445	> GEAR,PINION
254	1	-	99TA526312	> INSTRUCTION SHEET
255	1	-	06NA660032	146 CFM DRIVE/PINION GEAR KIT: (CFM designated by "6,7,8" digit in compressor model number)
257	1	-	2TB0447	> GEAR,DRIVE
258	1	-	2TB0444	> GEAR,PINION
259	1	-	99TA526312	> INSTRUCTION SHEET
260	1	-	06NA660033	174 CFM DRIVE/PINION GEAR KIT: (CFM designated by "6,7,8" digit in compressor model number)
262	1	-	2TB0187	> GEAR,DRIVE
263	1	-	2TB0201	> GEAR,PINION
264	1	-	99TA526312	> INSTRUCTION SHEET
265	1	-	06NA660034	209 CFM DRIVE/PINION GEAR KIT: (CFM designated by "6,7,8" digit in compressor model number)
267	1	-	2TB0186	> GEAR,DRIVE
268	1	-	2TB0200	> GEAR,PINION
269	1	-	99TA526312	> INSTRUCTION SHEET
270	1	-	06NA660035	250 CFM DRIVE/PINION GEAR KIT: (CFM designated by "6,7,8" digit in compressor model number)
272	1	-	2TB0446	> GEAR,DRIVE
273	1	-	2TB0443	> GEAR,PINION
274	1	-	99TA526312	> INSTRUCTION SHEET
275	1	-	06NA660036	300 CFM DRIVE/PINION GEAR KIT: (CFM designated by "6,7,8" digit in compressor model number)
277	1	-	2TB0184	> GEAR,DRIVE
278	1	-	2TB0198	> GEAR,PINION
279	1	-	99TA526312	> INSTRUCTION SHEET
280	1	-	8TB0293	GEAR COVER(PSN3498JXXXXX)
281	1	-	1TB0901	GEAR COVER(SSN3498JXXXXX)
282	1	-	2TB0956	GEAR LUBE FITTING
300	1	-	06NA660013	COMP. INSTALLATION PKT

Itm#	Qty	Rec	Part Number	Description
301	1	-	3TB0818	> TERMINAL BOX GASKET
302	1	-	KK71EW354	> SUCTION O-RING
303	1	-	KK71EW234	> DISCHARGE LINE O-RING
304	1	-	KK71EW223	> ECONOMIZER O-RING
305	1	-	19XL680001	> O-RING GREASE
306	1	-	HK01CB002	> ANTI ROTATION PRESS.SWITCH
307	1	-	KLE-LLM5	> 5 MM ALLEN HEAD WRENCH
308	1	-	KLE-SL16	> 1/4" ALLEN HEAD WRENCH
309	1	-	FC024A	> 3/4" CROWSFOOT WRENCH
310	1	-	DC80SA005	> STR. THREAD COMPR. FITTING
311	2	-	HY69DS044	> QUICK CONNECT (M)
312	1	-	HY69DS054	> QUICK CONNECT (F)
313	1	-	99TA516068	> INSTRUCTION SHEET
314	1	-	06NA660015	COMPR SERVICE TOOL PKG.
315	1	-	KLE-LLM5	> 5 MM ALLEN HEAD WRENCH
316	1	-	KLE-LLM6	> 6 MM ALLEN HEAD WRENCH
317	1	-	PSLE140	> TORX HEAD WRENCH(E14)
318	1	-	SIPR436	> 1-1/8,4 POINT DEEP SOCKET
319	1	-	KLE-SL16	> 1/4" ALLEN HEAD WRENCH
320	1	-	FC024A	> 3/4" CROWSFOOT WRENCH
321	1	-	GSA24E	> 3/4" SOCKET DRIVER
322	1	-	06NA660027	COMPRESSION END SEAL KIT
323	1	-	KK71EW234	> O-RING,DISCHARGE FLANGE
324	1	-	8TB0291	> O-RING,MUFFLER
325	1	-	8TB0279	> O-RING,BEARING COVER OIL PASSAGE
326	1	-	8TB0282	> O-RING,BEARING COVER DISCHARGE PORT
327	1	-	8TB0292	> O-RING,BEARING COVER/OUTLET CASE: (PSN1000J)
328	1	-	8TB0911	> O-RING,BEARING COVER/OUTLET CASE: (PSN1000J)
329	1	-	8TB0293	> O-RING,GEAR COVER TWO PIECE GROOVE: (PSN3498J)
330	1	-	8TB0912	> O-RING,GEAR COVER GROOVE IN ROTOR HSG: (SSN3498J)
331	1	-	19XL680001	> O-RING GREASE
332	1	-	99TA526299	> INSTRUCTION SHEET