

Optical smoke detector - BH-200

Interactive fire detection systems
Product datasheet

Features

- Interactive
- Different sensitivity settings possible
- Comprises the DYFI+ adaptive and self learning functions
- Monitoring of optical path and electric circuit
- Built-in thermistor for reading of temperature at the detector point
- Short circuit isolator in each detector
- Comprises a built-in alarm indicator (LED)
- Conforms to EMC directive
- Automatic addressing
- Proven technology
- Immune to electromagnetic disturbance
- EN 54-7/EN 54-17
- Designed to meet the requirement of the major maritime classification societies

Applications

BH-200 is a point smoke detector for detection of combustion gases mainly consisting of visible particles. The detector has a built in thermistor and is designed for use with Autronica's interactive fire detection systems, which can provide temperature information from the detector point.

BH-200 is suitable for use in most applications where visible smoke can be expected during a fire such as:

- Bedrooms
- Restaurants
- Offices
- Corridors
- Electrical rooms
- Production areas, etc.

Principle

Photoelectric, operating on the light scatter principle.



Versions

- BH-200 Smoke detector without SelfVerify
- BH-300* Smoke detector with SelfVerify
- BH-500* Smoke detector with SelfVerify, environmentally protected
- BH-500/S* Smoke detector with SelfVerify, environmentally protected, with extra high sensitivity
- BH-500/Ex* Smoke detector with SelfVerify, EExia-version for use in all zones
- BH-500/S/Ex Smoke detector with SelfVerify, EExia-version for use in all zones, with extra high sensitivity
- BH-500/N Smoke detector with SelfVerify, EExn-version for use in zone 2 only
- BH-500/S/N Smoke detector with SelfVerify, and extra high sensitivity, EExn version for use in zone 2 only

* See separate data sheet.

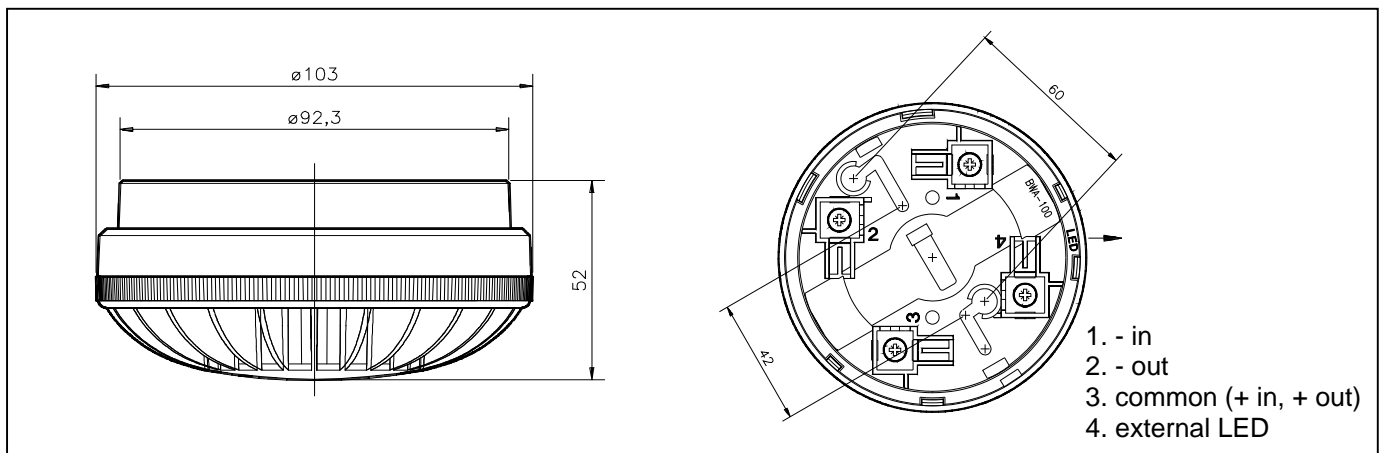
Table 1 – Performance classes

Performance class	Typical application
Clean	Computer rooms
Normal	Offices
Normal 2	Restaurants
Industry	Workshops



Technical specifications	
Weight	150 g
Materials	PC/ABS
Colour	White
Sensitivity	Ref. Table 1
Voltage	10 – 27 VDC
Current consumption Stand by: External alarm indicator	< 0,3mA 6mA
CPD certificate	1134-CPD-016
Degree of protection	IP44D
Working temperature	- 20 - + 70°C
Humidity (non condensing)	Max. 95% RH
Maintenance	None
Service	Replace if faulty
Approvals	See web site

Dimensions/Connections



Use of LED output

When LED or other equipment is connected to the LED output, a varistor - Siemens SIOVS07K25 (39V) - Autronica part. no. 116-8464-003.5039, is required between terminals 1 and 4 in base. The LED is connected between terminals 3 and 4, terminal 3 being the positive terminal.

Part number	Description
116-BWA-100	Detector base
116-BHH-200	Detector head
116-BWP-100/20	Optional conduit box for M20 glands
116-BWP-100/25	Optional conduit box for M25 glands
116-BBR-52	Optional audible indicator – SmartBuzzer