


Data Sheet

T5500/T6500 Pressure Gauges


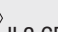
FEATURES

- **PLUS!™** Performance dampens vibration, shock and pulsation effects
- Rugged all welded stainless steel design
- Overload protection to 400% of range (XRA option)
- Low ambient temperature option for arctic conditions from -94°F (-70°C) for T6500 100mm only
- Optional ATEX approved 

TYPICAL USES

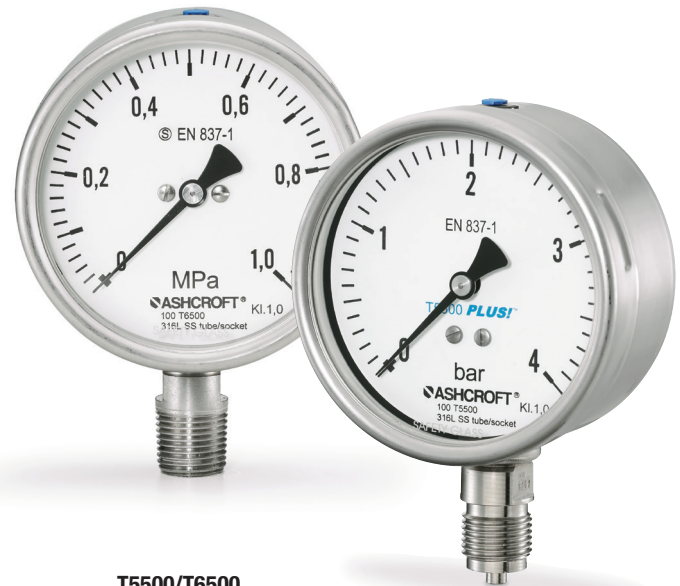
- Offshore oil rigs
- Chemical and petrochemical plants
- Power
- Pulp and paper
- Machine equipment
- Specialized OEM equipment
- Food and beverage

SPECIFICATIONS

Accuracy:	1% of span (STD.), 0.5% of span (OPT.)
Size:	100mm, 160mm
Range:	Vacuum, compound, pressure psi: -30in., Hg-0, 0-20,000
Process Conn. Location:	Lower, back
Process Conn. Size:	¼ NPT Male, ½ NPT Male, G ¼ NPT, B Male, G ½ NPT B Male
Case Style:	T5500: Open front with rear blowout disk T6500: Solid front with full rear blowout back
Movement:	Adjustable
Window Material:	T5500: Glass (STD.), polycarbonate, safety glass (OPT.) T6500: Safety glass (STD.), polycarbonate (OPT.)
Dial:	Aluminum, white background, black figures and intervals
Pointer:	Aluminum
Weather Protection:	Dry: IP66 and NEMA 4X Liquid filled: IP66/67 and NEMA 4X Hermetically sealed case: IP66/67 and NEMA 4X
Dampening Options:	PLUS!™ Performance, throttle screw, dampeners, snubbers and fill fluids
Mounting:	Stem, flush and surface
Approvals:	CRN, ATEX: Conformity acc. to RL 2014/34/EU appendix X for mechanical equipment in potential hazardous areas  Optional, Marking  : File No. 35134585 at notified body 0044, TÜV NORD CERT (only with safety glass or polycarbonate glass)

WETTED COMPONENTS

Bourdon Tube	Process Connection	Joints
316L SS, Monel® 400	316 SS	Welded



T5500/T6500

100mm, 160mm dial size



KEY BENEFITS

- High overpressure for safety (option)
- Low ambient temperature for severe environments (option)
- Weatherproof Protection IP66, NEMA 4X

NON-WETTED COMPONENTS

Case	Ring	Back Cover
304 SS (STD.)	304 SS	304 SS
316 SS (OPT.)	316 SS	316 SS

MIN/MAX TEMPERATURE LIMITS

Version	Ambient	Process	Storage
Dry	-40°F to 158°F (-40°C to 70°C)	-40°F to 392°F (-40°C to 200°C)	-40°F to 158°F (-40°C to 70°C)
PLUS!™	-19°F to 158°F (-7°C to 70°C)	-40°F to 392°F (-40°C to 200°C)	-40°F to 158°F (-40°C to 70°C)
Glycerin fill	19°F to 158°F (-7°C to 70°C)	19°F to 199°F (-7°C to 93°C)	-40°F to 158°F (-40°C to 70°C)
Silicone fill	19°F to 158°F (-7°C to 70°C)	-40°F to 199°F (-40°C to 93°C)	-40°F to 158°F (-40°C to 70°C)
Halocarbon® fill	19°F to 158°F (-40°C to 70°C)	-40°F to 200°F (-40°C to 93°C)	-40°F to 158°F (-40°C to 70°C)
ATEX	19°F to 158°F (-7°C to 70°C)	-40°F to 392°F (-40°C to 200°C)	-40°F to 140°F (-40°C to 60°C)

Data Sheet

T5500/T6500 Pressure Gauges

ORDERING CODE	Example:	10T5500	S	D	02	L	15#	XC4
Dial Size/Model Code								
10T5500 -100mm - 304 SS case, open front		10T5500						
16T5500 -160mm - 304 SS case, open front								
10T6500 -100mm - 304 SS case, solid front								
16T6500 -160mm - 304 SS case, solid front								
System (tube and process connection)								
S - 316L Stainless steel			S					
P - Monel® 400								
Case Design								
D - Dry				D				
L - Liquid fill								
Process Connection Sizes								
02 - ¼ NPT Male					02			
04 - ½ NPT Male								
13 - G ¼ Male								
14 - G ½ Male								
Process Connection Location								
L - Lower						L		
B - Back (T5500 only)								
Range (coding examples only, see range table on page 3 for all standard ranges)								
Single Scales								
15# - 15 psi							15#	
1KG - 1 kg/cm ²								
1BR - 1 bar								
160KP - 160 kilopascal								
Options (If choosing an option(s) must include an "X")								
X__								
Dampening								
LL - PLUS! ™ Performance								
NZ - PLUS! ™ Performance, silicone free								
TU - Throttle plug								
QC - Low temperature silicone fill for ambient temperature down to -94°F (-70°C), including Fluorosilicone sealing (for 100 mm T6500 only)								
Case								
YW -316L Stainless steel case								
Windows/Pointers/Dial								
SG - Safety glass (T5500 only, standard with T6500)								
PD - Polycarbonate window								
SH - Red set hand, stationary (dry case only)								
D3 - DuraVis™ Retroreflective Dial (100mm only, dry case only)								
Other								
OS - Overload stop								
VS - Underload stop								
NH - Stainless steel tag wired to case								
6B - Cleaned for gaseous oxygen service								
AJ - Calibration 0.5% full scale								
AT - ATEX								
C4 - Individual calibration chart								C4
RA - High over pressure. (see XRA data sheet for specifics. Not available with all ranges shown on this data sheet.)								

Data Sheet

T5500/T6500 Pressure Gauges

RANGES

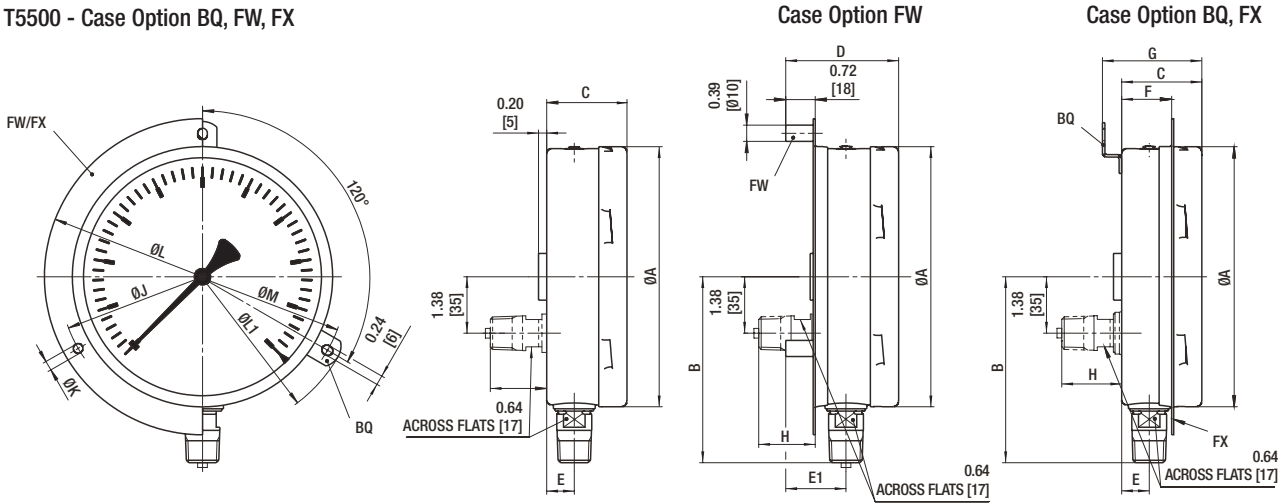
T5500, T6500						
	psi	bar	kPa	MPa	kg/cm ²	Notes
Vacuum	30IMV	N1BR	N100KP	N1MP	N1KG	Not available with liquidless PLUS! [™] Performance (LL or NS option)
	–	N1/.6BR	N100/60KP	.1/.06MP	N1/.6KG	
Compound	V/15#	–	–	–	–	
	–	N1/1.5BR	N100/150KP	N.1/.15MP	N1/1.5KG	
	V/30#	–	–	–	–	
	–	N1/3BR	N100/300KP	N.1/.3MP	N1/3KG	
	V/60#	–	–	–	–	
	–	N1/5BR	N100/500KP	N.1/.5MP	N1/5KG	
	V/100#	–	–	–	–	
	–	N1/9BR	N100/900KP	N.1/.9MP	N1/9KG	
	15#	1BR	100KP	.1MP	1KG	
	20#	–	–	–	–	
Positive Pressure	–	1.6BR	160KP	.16MP	1.6KG	
	30#	–	–	–	–	
	–	2.5BR	250KP	.25MP	2.5KG	
	60#	4BR	400KP	.4MP	4KG	
	–	6BR	600KP	.6MP	6KG	
	100#	–	–	–	–	
	120#	–	–	–	–	
	–	10BR	1000KP	1MP	10KG	
	160#	–	–	–	–	
	200#	–	–	–	–	
	–	16BR	1600KP	1.6MP	16KG	
	300#	–	–	–	–	
	–	25BR	2500KP	2.5MP	25KG	
	400#	–	–	–	–	
	500#	–	–	–	–	
	600#	40BR	4000KP	4MP	40KG	
	800#	–	–	–	–	
	–	60BR	6000KP	6MP	60KG	
	1000#	–	–	–	–	
	1500#	100BR	10000KP	10MP	100KG	
2000#	–	–	–	–		
–	160BR	16000KP	16MP	160KG		
3000#	–	–	–	–		
–	250BR	25000KP	25MP	250KG		
4000#	–	–	–	–		
5000#	–	–	–	–		
6000#	400BR	40000KP	40MP	400KG		
8000#	–	–	–	–		
–	600BR	60000KP	60MP	600KG		
10000#	–	–	–	–		
15000#	1000BR	100000KP	100MP	1000KG	Not available with liquidless PLUS! [™] Performance (LL or NS option)	
	1400BR					
	20000#	–	–	–		

T5500/T6500 Pressure Gauges

DIMENSIONS in [] are millimeters

For reference only, consult Ashcroft for specific dimensional drawings.

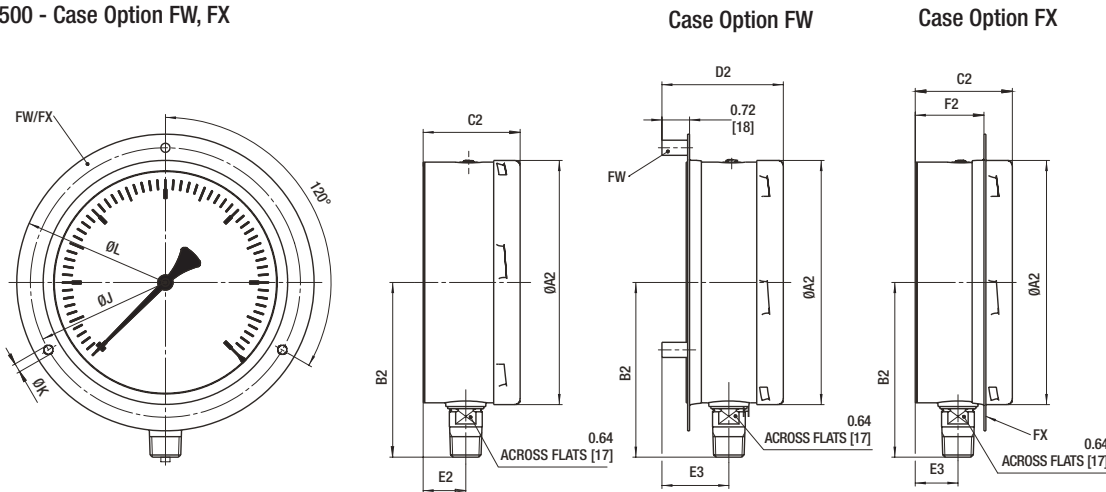
T5500 - Case Option BQ, FW, FX



T5500 - Case Options BQ, FW, FF

Dial Size	A	B	C	D	E	E1	F	G	H	J	K	L	L1	M	Weight
100 mm	3.97 [101]	3.36 [85]	2.01 [51]	2.72 [69]	0.73 [18.5]	1.44 [36.5]	1.26 [32]	2.48 [63]	1.38 [35]	4.65 [118]	0.24 [6]	5.20 [132]	5.28 [134]	4.02 [103]	Dry 2.0 lbs LF 4.4 lbs
160 mm	6.35 [161]	4.54 [115]	1.96 [50]	2.76 [70]	0.67 [17]	1.47 [37]	1.22 [31]	2.43 [62]	1.46 [37]	7.01 [178]	0.24 [6]	7.72 [196]	7.64 [194]	7.50 [179]	Dry 2.7 lbs LF 5.0 lbs

T6500 - Case Option FW, FX



T6500 - Case Options FW, FX

Dial Size	A2	B2	C2	D2	E2	E3	F2	J	K	L	Weight
100 mm	3.97 [101]	3.36 [85]	2.38 [61]	2.91 [74]	1.02 [26]	1.55 [39]	1.63 [42]	4.65 [118]	0.24 [6]	5.20 [132]	Dry 2.0 lbs LF 4.4 lbs
160 mm	6.35 [161]	4.54 [115]	2.52 [64]	3.15 [80]	1.11 [28]	1.74 [44]	1.78 [45]	7.01 [178]	0.24 [6]	7.72 [196]	Dry 2.7 lbs LF 5.0 lbs

T5500/T6500 Pressure Gauges

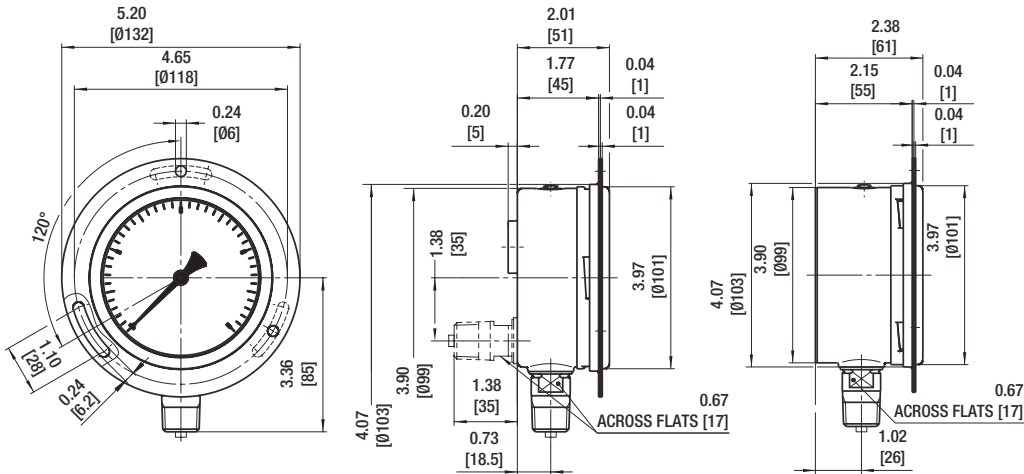
DIMENSIONS in [] are millimeters

For reference only, consult Ashcroft for specific dimensional drawings.

T5500, T6500 100mm - Case Option FF

T5500 - 100mm

T6500 - 100mm



T5500, 100mm - Case Option UF

T5500, 160mm - Case Option UF

