

# ATX™ PRE Series 63 Amp Plugs and Sockets

## Increased Safety

ATEX/IECEX:  
Zone 1 and 2 - 21 and 22  
Ⓢ II 2 GD  
IP66 - IK10

### Applications

- Plugs and sockets are used with stationary or portable electrically operated devices such as:
  - Welding devices
  - Lighting systems
  - Conveyors
  - Heaters
  - Motor generator sets
  - Air conditionings
  - Compressors
  - Pumps
- For use in corrosive atmospheres and installations in Zones 1, and 2 and 21 and 22 of oil and gas industry, such as
  - Refineries
  - Chemical and petrochemical plants
  - Pipelines
  - Onshore and offshore drilling platforms

### Features

- Positive polarization: only ATX plugs of same style, number of poles and ampere rating may be used with these sockets.
- Interlocked 3-pole or 4-pole Ex de disconnecting on-load switch, with auxiliary early break contact capacity 2.5 mm<sup>2</sup> (0.004 in<sup>2</sup>) max .
- Plug is mechanically locked in socket when switch is "ON".
- Switch operating handle can be padlocked in "OFF" position (max 4 padlocks ).
- Plug cannot be inserted or removed unless switch is in "OFF" position.

### Standard Materials

- Socket: high impact resistance fiberglass reinforced polyester
- Flap cover and plug: polyamide

### ATEX/IECEX Certifications and Compliances

- Certification Type PC63X
  - Gas: Zones 1 and 2
    - Conforming to ATEX 94/9/CE: Ⓢ II 2 G
    - Type of Protection: Ex de IIC
    - Temperature Class: T6 for Ta ≤ +40 °C (+104 °F) and T5 for +55 °C (+131 °F)
  - Dust: Zones 21 and 22
    - Conforming to ATEX 94/9/CE: Ⓢ II 2 D
    - Type of Protection: Ex tD A21
    - Surface Temperature: T90 °C (T194 °F)
- Ambient Temperature: -30 °C to +55 °C (-22 °F to +131 °F)
- Index of Protection according EN/IEC 60529: IP66
- Impact Resistance (shock): IK10
- CE Declaration of Conformity: 50208
- ATEX Certificate: LCIE 99 ATEX 6004
- IECEX Certificate: IECEX LCIE 13.0010

### EURASEC Certification

- EURASEC N° TC RU C-FR.Γ505.B.00910

### Other Certification

- INMETRO Certificate: BVC11.0595 ①



PLUGS AND RECEPTACLES: ATEX/IECEX INCREASED SAFETY

Appleton

① INMETRO certification available on special request only. Contact your local sales representative for more information.

# ATX™ PRE Series 63 Amp Plugs and Sockets

## Increased Safety

ATEX/IECEX:  
 Zone 1 and 2 - 21 and 22  
 II 2 GD  
 IP66 - IK10



**Wall Mounting Socket**



**Plug**

- Standard versions:
  - Supplied with one M50 cable gland for unarmored cable – Ø 28 to Ø 42 mm (Ø 1.10 to Ø 1.65”) and one M25 blanking plug.
  - Terminal capacity 1 x 35 mm<sup>2</sup> (0.002 x 0.054 in<sup>2</sup>).
- Through-wired versions:
  - Supplied with two M50 cable glands for unarmored cable – Ø 28 to Ø 42 mm (Ø 1.10 to Ø 1.65”) and one M25 blanking plug.
  - Terminal capacity 2 x 35 mm<sup>2</sup> (0.003 x 0.054 in<sup>2</sup>).
- One integrated cable entry for unarmored flexible cable – Ø 17.5 to Ø 29 mm (Ø 0.69 to Ø 1.14”) for 3P + E versions; Ø 17.5 to Ø 32 mm (Ø 0.69 to Ø 1.26”) for 3P + N + E versions.
- Terminals capacity 16 mm<sup>2</sup> (0.025 in<sup>2</sup>).

### 63 Amps

#### Main Contacts

Rated Insulation Voltage	690 Vac
Rated Operating Voltage	690 Vac
Rated Operating Current	63 Amp
Rated Surge Voltage	6 KV

#### Switching Capacity

AC 21 A / AC 22 A	63 Amp	230 Volt to 690 Volt
	15 kW	230 Volt
AC 23 A	22 kW	400 Volt
	30 kW	500 Volt
	18.5 kW	690 Volt
	11 kW	230 Volt
AC 3	18.5 kW	400 Volt
	22 kW	500 Volt
	15 KW	690 Volt
DC 21	–	
DC 22	–	
DC 23	–	

#### Auxiliary Contacts

Rated Insulation Voltage	400 Volt
Rated Operating Voltage	400 Volt
Rated Operating Current	10 Amp
Switching Capacity: AC 15	6 Amp
	4 Amp
	230 Volt
	400 Volt

#### Others

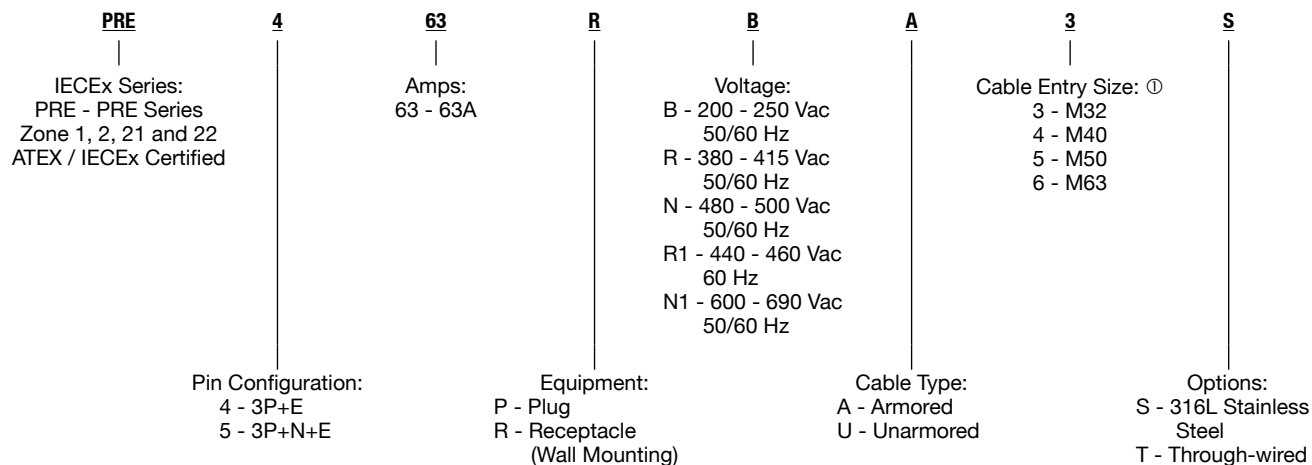
Termination (flexible/solid)	35 mm <sup>2</sup> (0.002 in <sup>2</sup> )
------------------------------	---

# ATX™ PRE Series 63 Amp Plugs and Sockets

## Increased Safety

ATEX/IECEX:  
 Zone 1 and 2 - 21 and 22  
 II 2 GD  
 IP66 - IK10

### Catalog Numbering Guide – IECEx Internationally Certified Plugs and Receptacles



**LV: Low Voltage**

Blue	Red	Black	Red 1	Black 1
200/250 Vac	380/415 Vac	480/500 Vac	440/460 Vac	600/690 Vac

PLUGS AND RECEPTACLES: ATEX/IECEX INCREASED SAFETY

① With one M25 plugged entry.



# ATX™ PRE Series 63 Amp Plugs and Sockets

## Increased Safety

ATEX/IECEX:  
 Zone 1 and 2 - 21 and 22  
 II 2 GD  
 IP66 - IK10

### Standard Versions

Description	Pin Configuration	Weight kg (lb)	Volume dm <sup>3</sup> (in <sup>3</sup> )	Catalog Number
<b>200/250 Vac 50/60 Hz – Blue</b>				
Wall Socket		8.0 (17.64)	26.0 (1586.62)	<b>PRE463RBU5</b>
Plug		1.0 (2.20)	7.0 (427.17)	<b>PRE463PB</b>
<b>380/415 Vac 50/60 Hz – Red</b>				
Wall Socket		8.0 (17.64)	26.0 (1586.62)	<b>PRE463RRU5</b>
Plug		1.0 (2.20)	7.0 (427.17)	<b>PRE463PR</b>
Wall Socket		8.0 (17.64)	26.0 (1586.62)	<b>PRE563RRU5</b>
Plug		1.0 (2.20)	7.0 (427.17)	<b>PRE563PR</b>
	<b>3P+N+E (1)</b> (1) 200/346 V – 240/415 Vac 50/60 Hz			
<b>440/460 Vac 60 Hz – Red</b>				
Wall Socket		8.0 (17.64)	26.0 (1586.62)	<b>PRE463RR1U5</b>
Plug		1.0 (2.20)	7.0 (427.17)	<b>PRE463PR1</b>
Wall Socket		8.0 (17.64)	26.0 (1586.62)	<b>PRE563RR1U5</b>
Plug		1.0 (2.20)	7.0 (427.17)	<b>PRE563PR1</b>
	<b>3P+N+E (2)</b> (2) 250/440 V – 265/460 Vac 60 Hz			
<b>480/500 Vac 50/60 Hz – Black</b>				
Wall Socket		8.0 (17.64)	26.0 (1586.62)	<b>PRE463RNU5</b>
Plug		1.0 (2.20)	7.0 (427.17)	<b>PRE463PN</b>
Wall Socket		8.0 (17.64)	26.0 (1586.62)	<b>PRE563RNU5</b>
Plug		1.0 (2.20)	7.0 (427.17)	<b>PRE563PN</b>
	<b>3P+N+E (3)</b> (3) 277/480 V – 288/500 Vac 50/60 Hz			
<b>600/690 Vac 50/60 Hz – Black</b>				
Wall Socket		8.0 (17.64)	26.0 (1586.62)	<b>PRE463RN1U5</b>
Plug		1.0 (2.20)	7.0 (427.17)	<b>PRE463PN1</b>
Wall Socket		8.0 (17.64)	26.0 (1586.62)	<b>PRE563RN1U5</b>
Plug		1.0 (2.20)	7.0 (427.17)	<b>PRE563PN1</b>
	<b>3P+N+E (4)</b> (4) 347/600 V – 400/690 Vac 50/60 Hz			

PLUGS AND RECEPTACLES: ATEX/IECEX INCREASED SAFETY

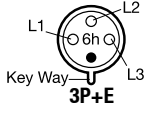



# ATX™ PRE Series 63 Amp Plugs and Sockets

Increased Safety

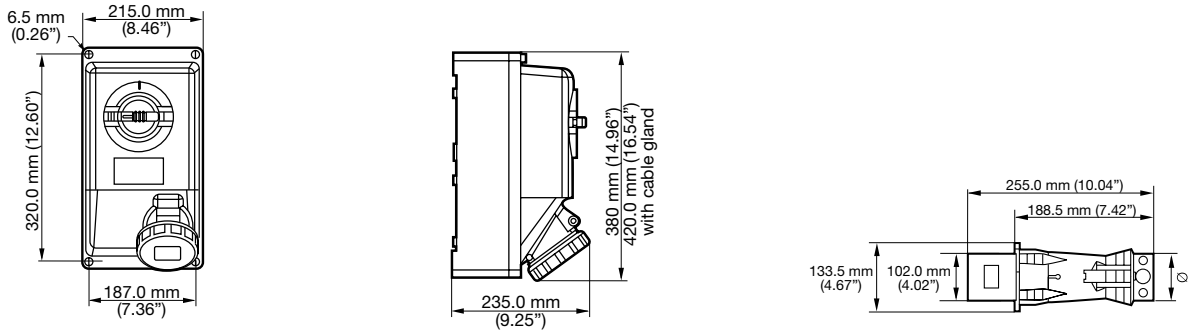
ATEX/IECEX:  
 Zone 1 and 2 - 21 and 22  
 II 2 GD  
 IP66 - IK10

## Through-Wired Versions

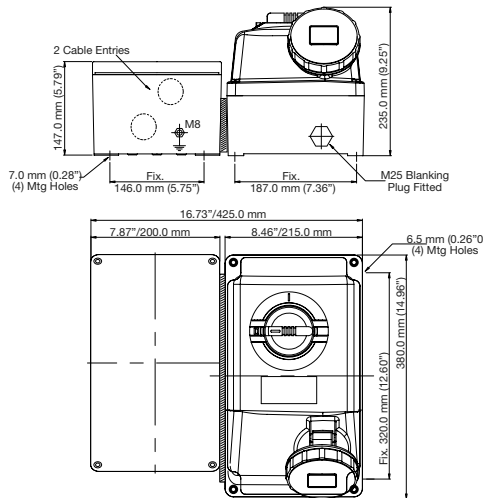
Description	Pin Configuration	Weight kg (lb)	Volume dm <sup>3</sup> (in <sup>3</sup> )	Catalog Number
380/415 Vac 50/60 Hz – Red				
Wall Socket		16.0 (35.27)	110.0 (6712.61)	PRE463RRU5T
Wall Socket		16.0 (35.27)	110.0 (6712.61)	PRE563RRU5T
	(1) 200/346 V – 240/415 Vac 50/60 Hz			

## Dimensions in Millimeters (Inches)

### Standard Version



### Through-Wired Version



PLUGS AND RECEPTACLES: ATEX/IECEX INCREASED SAFETY

