

Bladeless Auto-Duster Fan

Electric Air Circulator

Owner's Manual



English

Model
LP1700FAP
LP1700FAP-G
LP1700FAP-W
LP1700FAP-B

Form #LP1700FAP
© 2019 ® Registered Trademark/TM Trademark of
LivePure LLC. Manufactured exclusively for LivePure
LLC. All rights reserved.



Table of Contents

At A Glance

Warnings and Know Your Fan	1
----------------------------------	---

Using your Fan

How the System Works	3
----------------------------	---

Initial Setup	3
---------------------	---

Operating your Fan

Operating the Fan	4
-------------------------	---

Operating the Remote Control	5
------------------------------------	---

Replacing the Remote Control Battery	5
--	---

Maintenance

Cleaning the Fan	6
------------------------	---

Cleaning the Filter	6
---------------------------	---

Filter Ordering	6
-----------------------	---

Fan Assistance

Troubleshooting	7
-----------------------	---

Technical Support	7
-------------------------	---

Warranty

3 Year Guarantee	8
------------------------	---

Thank you for purchasing the Bladeless Auto-Duster Fan by LivePure® Company. Please read and save these instructions to receive the maximum benefit and performance from your fan.

READ AND SAVE THESE INSTRUCTIONS!
Important Safety Instructions:
Read all instructions before using this fan.

- Keep combustible materials, such as furniture, pillows, bedding, papers, clothes and curtains, at least 3 feet from the front of the appliance and keep them away from the sides and rear when the fan is plugged in.
- Keep fan away from children under the age of 8 unless supervised by an adult.
- Use only as described in this LivePure Owner's Manual. Do not carry out any maintenance other than that shown in this manual or advised by the LivePure® Customer Service Center. Any other use not recommended by the manufacturer may cause fire, electric shock, or injury to persons.
- The base must be fitted securely before operating. Do not dismantle or use without the base fitted.
- Do not allow to be used as a toy. Close attention is necessary when used by or near children. Children of less than 3 years should be kept away unless continuously supervised. Children should be supervised to ensure that they do not play with the appliance and remote control.
- Children under the age of 8 should only switch on/off the appliance provided that it has been placed or installed in its intended normal operating position and they have been given supervision or instruction concerning use of the appliance. Children under the age of 8 should not plug in, regulate and clean the appliance or perform user maintenance.
- Suitable for dry locations only. Do not use outdoors or on wet surfaces. Do not use in bathrooms, laundry areas or similar indoor locations.
- Never locate the appliance where it may fall into a bath or other water container. Do not use or store where it may get wet or in the immediate surroundings of a bath, shower, or swimming pool.
- This appliance may have hot parts inside. Do not use in areas where petrol, paint, or flammable liquids are used or stored or where their vapors are present. Do not use in conjunction with or directly next to an air freshener or similar products.
- Do not locate directly below a main electricity supply socket.
- Always plug directly into a wall socket. Never use with an extension cable as overloading may result in the cable overheating and catching fire.
- Do not handle any part of the plug or appliance with wet hands.
- Do not use with a damaged power cord or plug.
- Do not unplug by pulling on the cable. To unplug, grasp the plug, not the cable.
- Do not stretch the cable or place the cable under strain. Keep cable away from heated surfaces.
- Do not route the cable under furniture or appliances. Do not cover cable with throw rugs, runners or similar coverings, arrange cable away from traffic area and where it will not be tripped over.

At A Glance

Warnings and Know Your Fan

- To prevent a possible fire, do not use with any opening or exhaust blocked, and keep free of dust, lint, hair, and anything that may reduce airflow. Do not put any object into the inlet grill or the exhaust opening as this may cause an electric shock or fire, or damage the appliance.
- Do not use on soft surfaces, such as a bed, where openings may become blocked.
- In order to avoid overheating and fire hazard, do not cover appliance.
- For the best performance, place on the floor, in the corner of the room, at least 3 feet from any wall and facing into the center of the room.
- This fan may not work properly on an uneven surface. Always place this fan on a firm, level and water resistant surface.
- Before using the fan, extend the cord and inspect for any signs of damage. Do not use the product if the cord has been damaged. DO NOT use if the power cord is cut, modified, forcefully bent, twisted or pulled.
- ALWAYS use with the supplied power plug. Failure to do so may cause electric shock or malfunction.
- NEVER take apart, repair or modify this product. Abnormal operation may occur, and cause electric shock, fire or injury.
- DO NOT turn on product unless fan blade and guard are installed properly.
- Do not swing fan by handle. This may cause injury, damage fan or damage floor.
- Do not insert foreign objects such as metal into the fan outlet. When in contact with parts inside fan, this can cause electric shock or injury.
- Do not place fingers into the guard or any moving part of fan.
- Do not drag fan. It may cause damage to fan or floor.
- If fan malfunctions, stop using fan immediately and disconnect from power supply.
- Turn off all controls before unplugging or carrying out any maintenance.
- If there is a loose fit between the plug and the socket or the plug becomes very hot, the socket may need to be replaced. Check with a qualified electrician to replace the socket.
- Choking Hazard: This remote control unit contains a small battery. Keep the remote control away from children and do not swallow the battery. If the battery is swallowed, seek medical advice immediately.
- If the appliance is not working as it should, has received a sharp blow, has been dropped, damaged, left outdoors, or dropped into water, do not use and contact the LivePure customer service center.
- Contact the LivePure® Customer Service Center when service or repair is required. Do not disassemble the appliance as incorrect reassembly may result in an electric shock or filter.

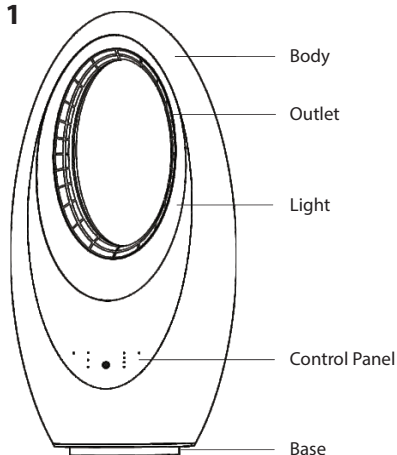
How the System Works:

Air is pulled into the fan through the back grill. The air passes through a CocoCarbon® filter where larger airborne particles such as dust, pet hair and dander are trapped. The clean air is then circulated in your room with a powerful, smooth stream of airflow.

Initial Setup:

1. Carefully remove fan from box and remove any packaging material.
2. Extend power cord and inspect for any signs of damage. If damaged, refer to *Technical Support*.
3. Plug into wall outlet.
4. Turn on unit by pressing ON/OFF button on fan or remote.
5. Refer to *Operating the Fan* for more information on operating your fan.

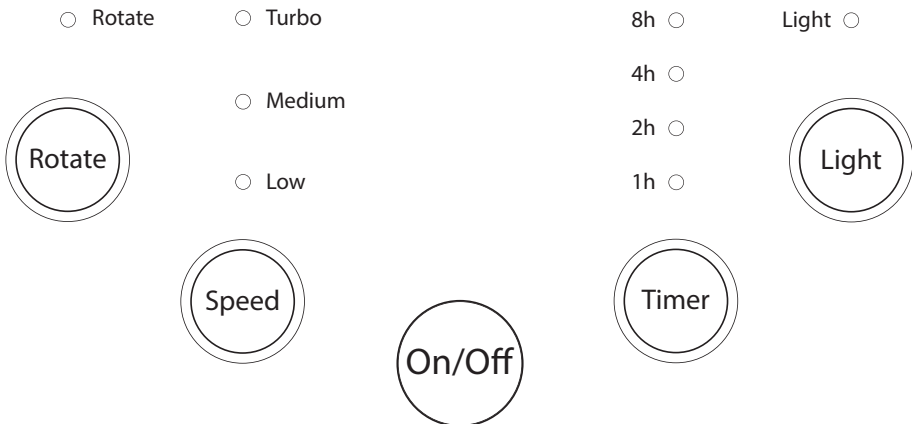
Figure 1



Operating the Fan:

- 1. Power:** Follow *Initial Setup* instructions before powering the fan on. Press ON/OFF to power on. Press ON/OFF again to power off. **FIGURE 3.**
- 2. Speed:** To change the fan speed, press the SPEED button. A light will be on next to the selected speed. Continue pressing the button until the desired speed is selected. Choose from *Low, Medium and Turbo* speeds. **FIGURE 3.**
- 3. Rotate:** To turn rotation on or off, press the ROTATE button. When rotation is turned off, fan will pause in the exact position until the ROTATE button is pressed again. **FIGURE 3.**
- 4. Timer:** To set a timer, press the TIMER button. A light will be on next to the selected speed. Continue pressing the TIMER button until the correct amount of time is selected. Choose from 1, 2, 4 or 8 hour intervals. **FIGURE 3.**
- 5. Light:** To turn on the accent light, press the LIGHT button once. To change the color of the accent light, continue pressing the LIGHT button. Choose from white, green, purple or blue. Press the LIGHT button once more to turn accent light completely off. Note: If accent light is on when fan is powered off, light will remain on unless the LIGHT button is pressed once more. **FIGURE 3.**

Figure 3



Operating the Remote Control:

1. Power: Press ON/OFF on remote to power on. Press ON/OFF again to power off. **FIGURE 4.**

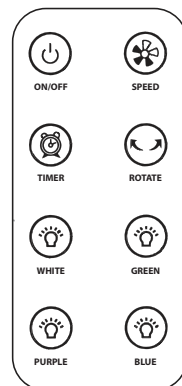
2. Speed: To change the fan speed, press the SPEED button. A light will be on next to the selected speed on the fan. Continue pressing the button until the desired speed is selected. Choose from *Low, Medium and Turbo* speeds. **FIGURE 4.**

3. Rotate: To turn rotation on or off, press the ROTATE button. When rotation is turned off, fan will pause in the exact position until the ROTATE button is pressed again. **FIGURE 4.**

4. Timer: To set a timer, press the TIMER button. There will be a light next to the selected speed. Continue pressing the TIMER button until correct amount of time is selected. Choose from 1, 2, 4 or 8 hour intervals. **FIGURE 4.**

5. Light: Press the corresponding button to select the desired color of the accent light: WHITE, GREEN, PURPLE or BLUE. Note: If accent light is on when fan is powered off, light will remain on unless the LIGHT button is pressed once more. **FIGURE 4.**

Figure 4



Replacing the Remote Control Battery:

1. Turn over remote control. Press tab A toward the right and pull. **FIGURE 5.**

2. Pull out battery holder B and replace the battery. Only use the specified battery type (Lithium Button Cell Battery CR2025). The battery must be installed with the positive side facing up. **FIGURE 6.**

3. Insert battery holder B back into remote. **FIGURE 7.**

Note: Do not apply excessive force to battery holder. Remove battery when not using for an extended period of time. When disposing of used battery, please use the correct method of disposal.

Figure 5

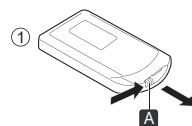


Figure 6

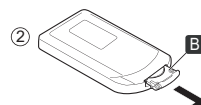
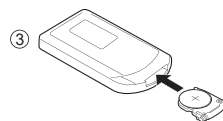


Figure 7



Battery : Lithium Button Cell Battery (CR2025)



Cleaning the Fan:

Before cleaning the fan, please read the following:

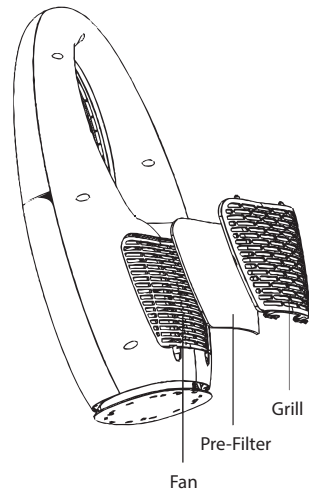
- Always unplug the fan and disconnect from power before cleaning.
- Use only a soft, damp cloth to gently wipe the outer surfaces of the fan.
- Do not immerse the fan in water or other liquid and never allow water to drip on the motor housing.
- Do not use gasoline, paint thinner, or any other corrosive cleaning solutions to clean the fan.
- To clean between the grills, we recommend using a pipe cleaner, flexible dust wand, vacuum cleaner or compressed air to gently remove dust.
- If the fan will not be in use for an extended period of time, you may leave the fan assembled. Cover to protect from dust. Store in a cool, dry place.

Cleaning the Filter:

Before cleaning the filter, please read the following:

1. Turn off and unplug fan from power source.
2. Push up on prongs to release back grill.
3. Remove filter from grill.
4. Vacuum filter with vacuum's brush attachment. Hold down pre-filter to prevent being sucked into vacuum. **DO NOT** use water, any liquid or detergent to clean the pre-filter.
5. If needed, clean grill with a soft, damp cloth.
6. Align filter in grill and ensure filter is laying flat.
7. Insert top tabs of grill into fan.
8. Push grill towards fan until the bottom prongs securely snap into place.

Figure 8



Filter Ordering:

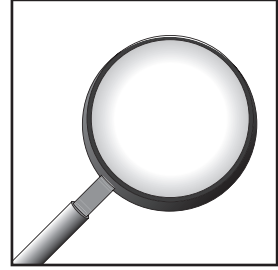
Although filter is meant to be permanent, it may lose efficiency over time depending on air quality and environmental factors. If filter is no longer easily cleanable, replacements are available at www.livepureshop.com.

Model #	Filter Part #	Type
LP1700FAP-G LP1700FAP-W LP1700FAP-B	LP-PF1900-FAP	Replacement Filter, 2 Pack

Problem: Fan fails to operate.

If the fan shuts off unexpectedly, safety features may be activated to prevent damage or injury. If this happens, check the following:

1. Is the fan plugged into a working electrical outlet? Plug into a wall outlet.
2. Is the fan powered ON? Press ON/OFF on fan or remote.
3. Has a household fuse blown, or has a circuit breaker tripped? Replace the fuse or reset the circuit breaker. If the problem continues, call an electrician.
4. Was a regular fuse used? Use a time-delay fuse or time-delay circuit breaker.



Problem: Fan makes an unusual noise.

If this happens, do the following:

1. Reset the fan. Unplug the fan for 1 minute, then plug back in. If fan is still making unusual noise, unplug from the wall outlet and contact the LivePure® Customer Service Center.

Problem: Unit has reduced air flow or increased noise:

The fan may be excessively dirty. Clean fan as needed. Refer to *Cleaning the Fan*.

Note: If your fan experiences any of the following problems, stop using the fan immediately, unplug from the wall outlet and contact the LivePure® Customer Service Center toll-free (USA & Canada): 888-855-5426 OR see your warranty.

1. After connecting to power supply and turning on, the fan still does not operate
2. Abnormal noise is observed during operation
3. Moving the power cord stops operation
4. Fan rotates slowly or irregularly
5. Burning smell is observed
6. Motor, plug or power cord become abnormally hot

WARNING: DO NOT attempt to take apart the unit by yourself. Doing so may void your warranty and cause damage to the product or personal injury.

Technical Support

If you need any assistance with setup, operation, or parts for your new LivePure® fan, please call us. Our technical support staff is ready to help!

USA: 888-855-5426
Canada: 888-855-5426

Hours of operation are from 8:00 AM to 6:00 PM EST, Monday through Friday. You may also contact us online at www.livepureshop.com.

Warranty

3 Year Guarantee

LivePure®, LLC makes the following limited warranty to the original residential user or consumer purchaser of the Bladeless Auto-Duster Fan: for three (3) years from date of purchase, if the fan motor fails when operated and maintained according to instructions attached to or furnished with the product, LivePure®, LLC will repair or, at our option, replace your fan with an identical or comparable fan. If the fan cord or control panel fails within one (1) year from date of purchase when operated and maintained according to instructions attached to or furnished with the product, LivePure®, LLC will repair or, at our option, replace your air purifier with an identical or comparable fan. Failure to clean and/or maintain the fan, will invalidate this warranty.



IF THE ORIGINAL RESIDENTIAL USER OR CONSUMER PURCHASER CEASES TO OWN THE BLADELESS AUTO-DUSTER FAN, THIS WARRANTY AND ANY IMPLIED WARRANTY WHICH THEN REMAINS IN EFFECT, INCLUDING BUT NOT LIMITED TO ANY IMPLIED WARRANTY OF MERCHANTABILITY OR FITNESS FOR A PARTICULAR PURPOSE, ARE VOIDED. THIS WARRANTY IS IN LIEU OF ALL OTHER EXPRESS WARRANTIES. THE DURATION OF ANY IMPLIED WARRANTY, INCLUDING BUT NOT LIMITED TO ANY IMPLIED WARRANTY OF MERCHANTABILITY OR FITNESS FOR A PARTICULAR PURPOSE IS EXPRESSLY LIMITED TO THE PERIOD OF THE EXPRESS WARRANTY SET FORTH ABOVE.

This warranty is voided if your Bladeless Auto-Duster Fan is not purchased and used in the USA or Canada.

This warranty excludes and does not cover defects, malfunctions, or failures of the fan which were caused by repairs by persons not authorized by us, use of parts, or accessories not authorized by us, mishandling, possession, or unreasonable use, including failure to provide reasonable and necessary maintenance. This warranty does not cover fans used in commercial applications. There are no express or implied warranties as to commercial purchasers or users.

Warranty

3 Year Guarantee

To obtain service, contact LivePure® Customer Service at 888-855-5426. You will be responsible for insurance and freight or other transportation to our factory service center. We will return the air purifier freight prepaid. The air purifier should be properly packaged to avoid damage in transit since we will not be responsible for any such damage. Proof of purchase is required when requesting warranty service. The purchaser must present sales receipt or other document that establishes proof of purchase.



IN NO EVENT SHALL LIVEPURE® COMPANY BE LIABLE FOR DIRECT, INDIRECT, SPECIAL, CONSEQUENTIAL OR INCIDENTAL DAMAGES IN EXCESS OF THE PURCHASE PRICE OF THE FAN. YOUR SOLE REMEDY WILL BE REPAIR OR REPLACEMENT AS PROVIDED ABOVE. SOME AMERICAN STATES AND CANADIAN PROVINCES DO NOT ALLOW:

- LIMITATIONS ON HOW LONG AN IMPLIED WARRANTY LASTS;
- THE EXCLUSION OR LIMITATION OF DIRECT, INDIRECT, SPECIAL, INCIDENTAL, OR CONSEQUENTIAL DAMAGES;
THE EXCLUSION OR INVALIDITY OF EXPRESS OR IMPLIED WARRANTIES IF THE USER CEASES TO OWN THE FAN;
- THE LIMITATION OF THE REMEDIES AND RECOURSES AVAILABLE TO THE PURCHASER; OR THE INVALIDITY OF AN EXPRESS WARRANTY WHEN A PRODUCT IDENTIFIED BY BRAND NAME IS NOT USED (UNLESS SPECIFIC CONDITIONS ARE FULFILLED);
SO THE ABOVE LIMITATIONS OR EXCLUSIONS MAY NOT APPLY TO YOU. THIS WARRANTY GIVES YOU SPECIFIC LEGAL RIGHTS AND YOU MAY ALSO HAVE OTHER RIGHTS WHICH VARY FROM STATE TO STATE OR PROVINCE TO PROVINCE.

**To request warranty service, visit www.livepureshop.com/pages/rma
or call (888) 855-5426.**