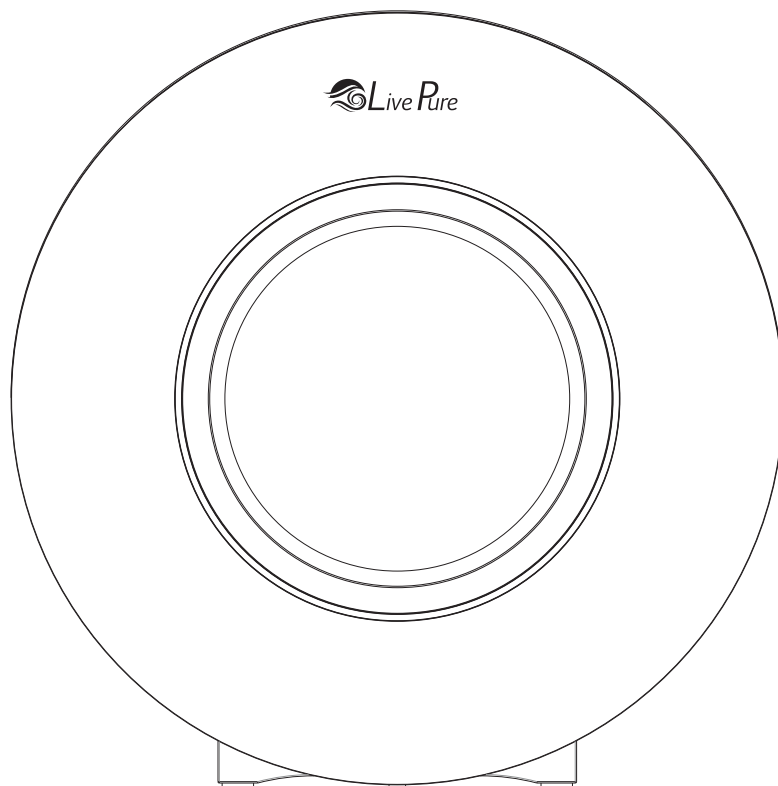


# Capri HEPA Air Purifier

Owner's Manual



English

**Models:  
LP150THP  
(all colors)**

**READ AND SAVE THESE INSTRUCTIONS**

Form #LP150THP

11152023

© 2023 Registered Trademark/ TM Trademark of LivePure LLC.

Manufactured exclusively for LivePure LLC.

All rights reserved.



# Table of Contents

## **At a Glance**

Warnings & Know Your Air Purifier ..... 1-4

## **Operating Your Air Purifier**

Initial Setup ..... 5

Operation ..... 6

## **Maintenance**

Filter Maintenance ..... 7-9

Troubleshooting ..... 10

Filter Ordering ..... 11

**Limited Warranty** ..... 12-14

## At a Glance

### Warnings & Know Your Air Purifier

#### Your safety and the safety of others are very important.

We have provided many important safety messages in this manual and on your appliance. Always read and obey all safety messages.



This is the safety alert symbol. This symbol alerts you to potential hazards that can kill or hurt you and others.

All safety messages will follow the safety alert symbol and either the word "DANGER" or "WARNING." These words mean:



**DANGER**

**You can be killed or seriously injured if you don't immediately follow instructions.**



**WARNING**

All safety messages will tell you what the potential hazard is, tell you how to reduce the chance of injury, and tell you what can happen if the instructions are not followed.

#### IMPORTANT SAFETY INSTRUCTIONS

This appliance has a polarized plug (one blade is wider than the other). To reduce the risk of electric shock, this plug is intended to fit into a polarized outlet only one way. If the plug does not fit fully into the outlet, reverse the plug. If it still does not fit, contact a qualified electrician. Do not attempt to defeat this safety feature.

Do not operate appliance with a damaged cord or plug. Discard product or return to an authorized service facility for examination or repair.

Unplug appliance before servicing.

Do not run cord under carpeting. Do not cover cord with throw rugs, runners, or similar covering. Do not route cord under furniture, or appliances. Arrange cord away from traffic area and where it will be tripped over.

#### READ AND SAVE THESE INSTRUCTIONS

**WARNING:** To reduce the risk of fire or electrical shock, DO NOT use the appliance with any Solid-State Speed Control Device.

**WARNING:** To reduce the risk of fire or electrical shock and injury to persons, DO NOT use in a window.

## At a Glance

### Warnings & Know Your Air Purifier

Thank you for purchasing the Capri HEPA Air Purifier from LivePure® Company. Please read and save these instructions to receive the maximum benefit and performance from your air purifier.

#### **READ AND SAVE THESE INSTRUCTIONS!**

#### **Important Safety Instructions:**

#### **Read all instructions before using this air purifier**

- This air purifier may not work properly on an uneven surface. ALWAYS place this air purifier on a firm, level, and water resistant surface.
- ALWAYS place the air purifier at least six (6) inches away from walls, heat sources, and electrical appliances such as stoves, radiators, or heaters.
- ALWAYS place the air purifier in an area that is out of the reach of children.
- Before using the air purifier, extend the cord and inspect for any signs of damage. DO NOT use the product if the cord has been damaged.
- Do not use the product outdoors or in locations subject to rain, water, heat, fire or sun.
- Never wrap a power cord around product or other object. Doing so can stress the cord in ways that can cause the cord to fray, crack, or crimp. This can present a safety hazard.
- Protect power cord from liquids. Do not leave power cord near sinks, tubs, toilets, or on floors that are cleaned with liquid cleaners. Liquids can cause a short circuit.
- Ensure that all power cord connectors are securely and completely plugged into receptacles.
- Do not use product if power cord shows corrosion or signs of overheating.
- To prevent possible overheating, do not cover the power cord with clothing or other objects when the power cord is plugged into an electrical outlet.
- ALWAYS UNPLUG the air purifier when it is not in operation or while it is being cleaned.
- Keep away from children under the age of 8 unless supervised by an adult.
- For indoor use only.
- NEVER drop or insert any object into any openings.
- DO NOT run cord under carpeting, throw rugs or runners.
- DO NOT route cord under furniture or appliances. Arrange cord away from traffic area and where it will not be tripped over.

## At a Glance

### Warnings & Know Your Air Purifier

- NEVER block the air openings, grills/outlets.
- NEVER place the product on a soft surface, such as a bed or sofa, as this could cause the unit to tip over, blocking the air intake or outtake opening.
- This device complies with part 18 of the FCC Rules.
- DO NOT place anything on top of the unit.
- DO NOT attempt to repair or adjust any electrical or mechanical functions on this unit, doing so will void your warranty.
- Do not allow to be used as a toy. Close attention is necessary when used by or near children. Children of less than 3 years should be kept away unless continuously supervised. Children should be supervised to ensure that they do not play with the appliance and.
- Do not handle any part of the plug or appliance with wet hands.
- Avoid touching any moving parts within the appliance.
- Do not clean the unit by spraying it or immersing it in water.
- Do not cover the air inlet or outlet, or place items close to the unit which may restrict airflow, as this may present a fire risk.
- 
- Use appliance only for intended household use as described in this manual. Any other use not recommended by the manufacturer may cause fire, electric shock or injury to persons.

#### Introduction:

Thank you for choosing the LivePure® Capri HEPA Air Purifier! LivePure air purifiers are designed to improve your indoor breathing environment simply, efficiently, and in style. Quality is key for LivePure so we use:

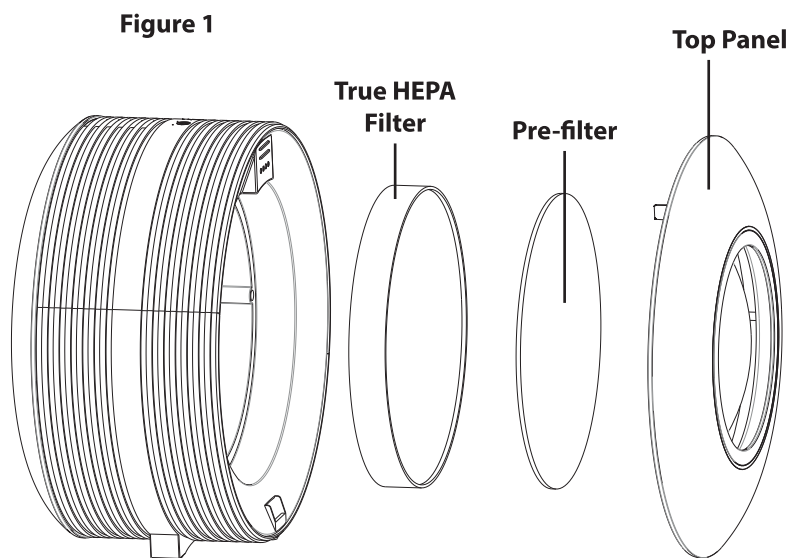
**True HEPA Filter:** Our HEPA filter is rigorously tested to ensure 99.97% efficiency in cleaning particles as small as 0.3 microns from the air, including smoke, dust, and pollen.

**Natural Coconut Carbon Pre-Filter:** The Pre-Filter uses carbon derived from coconuts. Carbon pre-filters reduce VOCs and household odors in the air as well as capture larger airborne particles including pet hair, dander, and fabric fibers, before they reach the HEPA filter.

**Note:** This guide covers several air purifier models. Your model may have some or all of the features listed. This guide covers both permanent HEPA filter models and replaceable HEPA filter models. Please see care section relevant to your model

#### How the System Works:

Air is pulled into the air purifier by the fan. The air passes first through the pre-filter, where larger airborne particles such as pet dander and hair are trapped. Smaller particles that pass through the pre-filter are then captured by the HEPA filter (up to 99.97% of particles as small as 0.3 microns).



## Operating Your Air Purifier

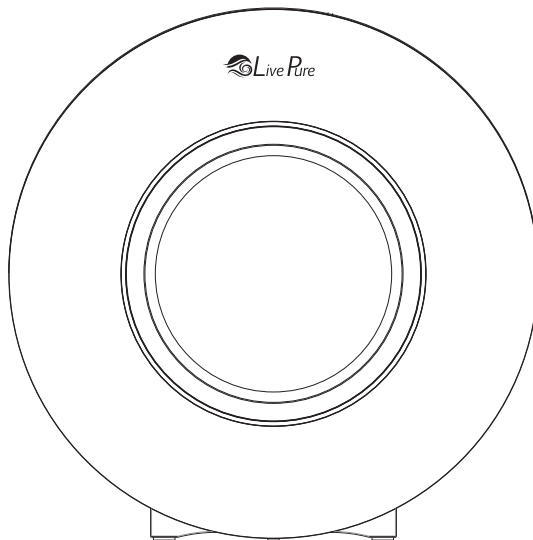
### Initial Setup

#### Initial Setup:

1. Pull air purifier out of box and remove all packaging.
2. Unravel and straighten the cord before use.
3. Place air purifier on a flat and even surface. For proper air flow, place unit at least six (6) inches from any wall or furniture. DO NOT block air opening.
4. Plug power cord into wall outlet and start the unit.

**Note:** This air purifier should be operated indoors only.

**Figure 2**



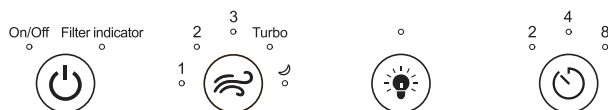
# Operating Your Air Purifier

## Operation

### Control Panel & Settings:

- **Power:** Press ON/OFF to power on. Press ON/OFF again to power off air purifier.
- **Filter Indicator:** Light will blink above ON/OFF button when the HEPA filter needs to be cleaned/replaced. To reset FILTER INDICATOR, press and hold ON/OFF button for 5 seconds and indicator light will stop blinking.
- **Speed:** To change the fan speed, press the SPEED button. A light will be on next to the selected speed on the unit (1= Low, 2= Medium, 3= High, Turbo, and Sleep Mode). Continue pressing the button until the desired speed is selected.  
**Note:** When air purifier is turned on, speed will be set to "Low" automatically. In Sleep Mode, fan speed will be set to Low and accent light will shut off. LED light indicating Sleep Mode will remain on.
- **Accent Light:** To turn on the accent light, press the ACCENT LIGHT button once. To change the color of the accent light, continue pressing the ACCENT LIGHT button. Choose from blue, purple, green, red, orange. Press ACCENT LIGHT button once again to turn off accent light.  
**Note:** When air purifier is turned on, accent light will be turned on automatically and display blue.
- **Timer:** To set a timer, press the TIMER button. There will be a light next to the selected time. Continue pressing the TIMER button until correct amount of time is selected. Choose from 2, 4, or 8 hour intervals. Air purifier will turn off after specified time.

Figure 3





## Maintenance

### Filter Maintenance

#### **Cleaning the Filters (Units with Permanent Filters):**

We recommend periodically checking and cleaning filters for optimal performance. Under normal conditions with an average of 12 hours daily use, the pre-filter should be cleaned every 3 months and the HEPA filter should be cleaned every 6 months. Please note that depending on air quality and environmental factors, filters may need to be cleaned more frequently or replaced if they are damaged.

**IMPORTANT:** DO NOT use water, any liquid, or detergents to clean the filters.

#### **Cleaning the Pre-filter:**

- Turn off and unplug air purifier from power source.
- Open and remove the front grille. Place a finger in slots on both sides of the air purifier and gently pull. **Figure 4**
- Remove the filter from the compartment of the air purifier.
- Remove the pre-filter from the HEPA filter by gently pulling away from Velcro.
- Vacuum pre-filter with utility nozzle attachment of vacuum cleaner. DO NOT use an attachment with brush bristles.
- Align the pre-filter with the HEPA filter and firmly press to reattach.
- Put the filter in the compartment of the air purifier.
- Place the front panel back on the air purifier. Align tabs at bottom of panel with slots on air purifier and push until panel latches in place.

#### **Cleaning the HEPA Filter:**

- Turn off and unplug air purifier from power source.
- Open and remove the front grille. Place a finger in slots on both sides of the air purifier and gently pull.
- Remove the filter from the compartment of the air purifier.
- Remove the pre-filter from the HEPA filter by gently pulling away from Velcro.
- Vacuum HEPA filter with brush attachment of vacuum cleaner.
- Align the pre-filter with the HEPA filter and firmly press to reattach.
- Put the filter in the compartment of the air purifier.
- Place the front panel back on the air purifier. Align tabs at bottom of panel with slots on air purifier and push until panel latches in place.

#### **Replacing the Filters (Units with Replaceable Filters):**

We recommend periodically checking and replacing filters for optimal performance. Under normal conditions with an average of 12 hours daily use, the pre-filter should be replaced every 3 months and the HEPA filter should be replaced every 6 months. Please note that depending on air quality and environmental factors, filters may need to be replaced more frequently.

#### **Replacing the Pre-filter:**

Remove any packaging and plastic bag from the new filter before replacement.

- Turn off and unplug air purifier from power source.
- Open and remove the front grille. Place a finger in slots on both sides of the air purifier and gently pull. **Figure 4**
- Remove the filter from the compartment of the air purifier.
- Remove the pre-filter from the HEPA filter by gently pulling away from Velcro.
- Align the new pre-filter with the HEPA filter and firmly press to reattach.
- Put the filter in the compartment of the air purifier.
- Place the front panel back on the air purifier. Align tabs at bottom of panel with slots on air purifier and push until panel latches in place.
- Dispose of dirty filter.

#### **Replacing the HEPA Filter:**

- Turn off and unplug air purifier from power source.
- Open and remove the front grille. Place a finger in slots on both sides of the air purifier and gently pull.
- Remove the filter from the compartment of the air purifier.
- Remove the pre-filter from the HEPA filter by gently pulling away from Velcro.
- Align the pre-filter with the new HEPA filter and firmly press to reattach.
- Put the filter in the compartment of the air purifier.
- Place the front panel back on the air purifier. Align tabs at bottom of panel with slots on air purifier and push until panel latches in place.
- Dispose of dirty filter.

## Maintenance

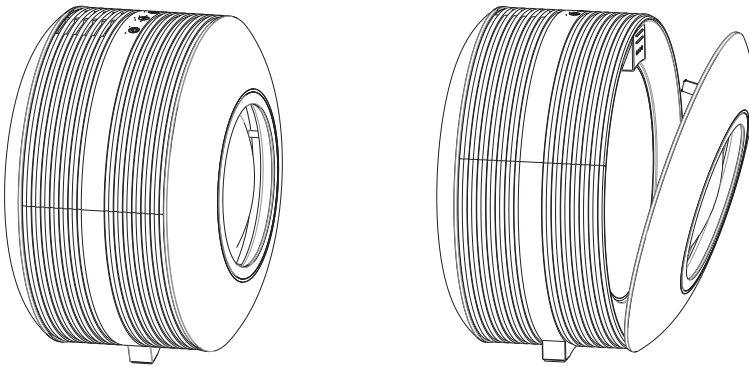
### Filter Maintenance

#### Cleaning the Exterior:

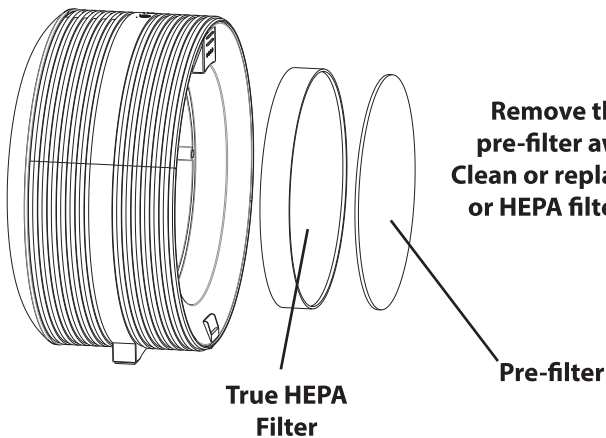
Turn off and unplug air purifier from power source. Clean unit with a moistened soft cloth only. DO NOT pour or splash water on the unit or use any abrasive-type cleaner on it. Clean all external surfaces, especially the air intake grills and air outlet.

**Note:** Ensure the air purifier is completely dry before plugging into power source and turning on. Failure to do so could cause damage to the filters or air purifier.

Figure 4



Open and remove the front grille



Remove the filter. Gently pull pre-filter away from HEPA filter. Clean or replace either the pre-filter or HEPA filter depending on your model.

**Problem: Unit Does Not Operate**

If the air purifier shuts off unexpectedly, safety features may be activated to prevent damage or injury. If this happens, check the following:

1. Make sure the power cord is plugged into a working electrical outlet.
2. Make sure the filter is properly in place.
3. Make sure that the grille is latched in firmly.
4. Has a household fuse blown, or has a circuit breaker tripped? Replace the fuse or reset the circuit breaker. If the problem continues, call an electrician.
5. Was a regular fuse used? Use a time-delay fuse or time-delay circuit breaker.

**Problem: Strong Vibration or Loud Noise**

1. Make sure the unit is placed on a flat surface.
  2. Try putting an anti-vibration mat underneath the unit.
  3. Reset the air purifier. Unplug the unit for 1 minute, then plug it back in.
  4. Check that the filter is properly in place.
  5. Check if the filter needs to be cleaned
3. Unit may be damaged. Discontinue use and contact customer service.

**WARNING:** DO NOT attempt to take apart the unit by yourself. Doing so may void your warranty and cause damage to the unit or personal injury.

**Problem: Reduced Air Flow**

1. The filter may be excessively dirty. Replace or clean filter as needed.

## Maintenance

### Filter Ordering

#### Filter Ordering:

Replacement filters may be ordered by visiting our website at [livepureshop.com](http://livepureshop.com). You may also call our Customer Service Center at 888-855-5426.

Model #	Part #	Type
LP150THP	LP-PF150	Pre-Filter, 2 Pack
	LP-HF150	Replacement HEPA Filter
	LP-HF150P	Permanent HEPA Filter

#### Technical Support

If you need any assistance with setup, operation, or parts for your new LivePure® humidifier, please call us. Our technical support staff is ready to help!

**USA/Canada: 888-855-5426**  
**Email: [info@livepureshop.com](mailto:info@livepureshop.com)**

Hours of operation are from 8:00 AM to 6:00 PM ET, Monday through Friday. You may also contact us online at [www.livepureshop.com](http://www.livepureshop.com).

**For all of the latest updates and promotions, follow us on our social media channels:**



**@LivePureShop**



**@livepure\_shop**

## Warranty

### 3 Year Limited Warranty

LivePure®, LLC makes the following limited warranty to the original residential user or consumer purchaser of the **Air Purifier**: If any part of the **Air Purifier** fails three (3) years from the date of purchase due to a defect in material or workmanship, we will provide a replacement part free of charge. If no replacement part can be provided, we will replace your **air purifier**.

IF THE ORIGINAL RESIDENTIAL USER OR CONSUMER PURCHASER CEASES TO OWN THE **AIR PURIFIER**, THIS WARRANTY AND ANY IMPLIED WARRANTY WHICH THEN REMAINS IN EFFECT, INCLUDING BUT NOT LIMITED TO ANY IMPLIED WARRANTY OF MERCHANTABILITY OR FITNESS FOR A PARTICULAR PURPOSE, ARE VOIDED. THIS WARRANTY IS IN LIEU OF ALL OTHER EXPRESS WARRANTIES. THE DURATION OF ANY IMPLIED WARRANTY, INCLUDING BUT NOT LIMITED TO ANY IMPLIED WARRANTY OF MERCHANTABILITY OR FITNESS FOR A PARTICULAR PURPOSE IS EXPRESSLY LIMITED TO THE PERIOD OF THE EXPRESS WARRANTY SET FORTH ABOVE.

This warranty is voided if your **Air Purifier** is not purchased and used in the USA or Canada.

This warranty excludes and does not cover defects, malfunctions, or failures of the **air purifier** which were caused by repairs by persons not authorized by us, use of parts, or accessories not authorized by us, mishandling, possession, or unreasonable use, including failure to provide reasonable and necessary maintenance. This warranty does not cover **air purifiers** used in commercial applications. There are no express or implied warranties as to commercial purchasers or users.

**See next page for more information on what is not covered.**

## Warranty

### 3 Year Limited Warranty

#### What is not covered:

- Units that are sold “as is”, are used, or sold by unauthorized resellers (an unauthorized reseller is defined as any third-party reseller who has no official relationship with Mindful LLC.)
- Shipping or freight charges to return products for warranty service.
- Commercial or non-residential use or use inconsistent with the product instructions and manuals.
- Consumable parts (e.g., light bulbs, batteries, filters, etc.)
- Defects or damage resulting from accident, misuse, abuse, alteration, fire, floods, or acts of God.
- Cosmetic damage (e.g., scratches, dents, chips, and other damage to finishes), unless such damage results from defects in materials and workmanship and is reported within 30 days from date of delivery.
- Units with original, factory installed model numbers removed, altered, or not easily determined.
- Damage resulting from improper packing of products returned for warranty service.
- Replacement parts, repair labor costs and/or replacement of a “failed” **air purifier** operated outside the United States and Canada.
- Mindful LLC will have the final determination regarding who an unauthorized reseller is determined to be.

## Warranty

### 3 Year Limited Warranty

To obtain service, contact LivePure® Customer Service at 888-855-5426. You will be responsible for insurance and freight or other transportation to our factory service center. We will return the freight prepaid. The **Air Purifier** should be properly packaged to avoid damage in transit since we will not be responsible for any such damage. Proof of purchase is required when requesting warranty service. The purchaser must present sales receipt or other document that establishes proof of purchase.

IN NO EVENT SHALL **LIVEPURE® COMPANY** BE LIABLE FOR DIRECT, INDIRECT, SPECIAL, CONSEQUENTIAL OR INCIDENTAL DAMAGES IN EXCESS OF THE PURCHASE PRICE OF THE **AIR PURIFIER**. YOUR SOLE REMEDY WILL BE REPAIR OR REPLACEMENT AS PROVIDED ABOVE. SOME AMERICAN STATES AND CANADIAN PROVINCES DO NOT ALLOW:

- LIMITATIONS ON HOW LONG AN IMPLIED WARRANTY LASTS;
- THE EXCLUSION OR LIMITATION OF DIRECT, INDIRECT, SPECIAL, INCIDENTAL, OR CONSEQUENTIAL DAMAGES; THE EXCLUSION OR INVALIDITY OF EXPRESS OR IMPLIED WARRANTIES IF THE USER CEASES TO OWN THE **AIR PURIFIER**;
- THE LIMITATION OF THE REMEDIES AND RECOURSES AVAILABLE TO THE PURCHASER; OR THE INVALIDITY OF AN EXPRESS WARRANTY WHEN A PRODUCT IDENTIFIED BY BRAND NAME IS NOT USED (UNLESS SPECIFIC CONDITIONS ARE FULFILLED); SO THE ABOVE LIMITATIONS OR EXCLUSIONS MAY NOT APPLY TO YOU. THIS WARRANTY GIVES YOU SPECIFIC LEGAL RIGHTS AND YOU MAY ALSO HAVE OTHER RIGHTS WHICH VARY FROM STATE TO STATE OR PROVINCE TO PROVINCE.

To request warranty service, visit [www.livepureshop.com](http://www.livepureshop.com)  
or call (888) 855-5426