

Co-Sleeper^{®brand}
bedside bassinet
by *Arm's Reach*[®]

The Little Palace Collection

bassiné jumelé CO-SLEEPER^{MD}
de ARM'S REACH^{MD}
CO-SLEEPER[®] bassiné de ARM'S REACH[®]
como cama adosada

 **WARNING:** Failure to follow these warnings and instructions could result in serious injury or death.

 **AVERTISSEMENT :** Le non-respect de ces avertissements et de ces instructions pourrait causer des blessures graves, voire mortelles.

 **ADVERTENCIA:** El incumplimiento de estas advertencias e instrucciones puede resultar en lesiones graves o la muerte.

MANUEL D'INSTRUCTIONS MANUAL DE INSTRUCCIONES

GARDER CE LIVRET À PORTÉE DE MAIN POUR RÉFÉRENCE FUTURE

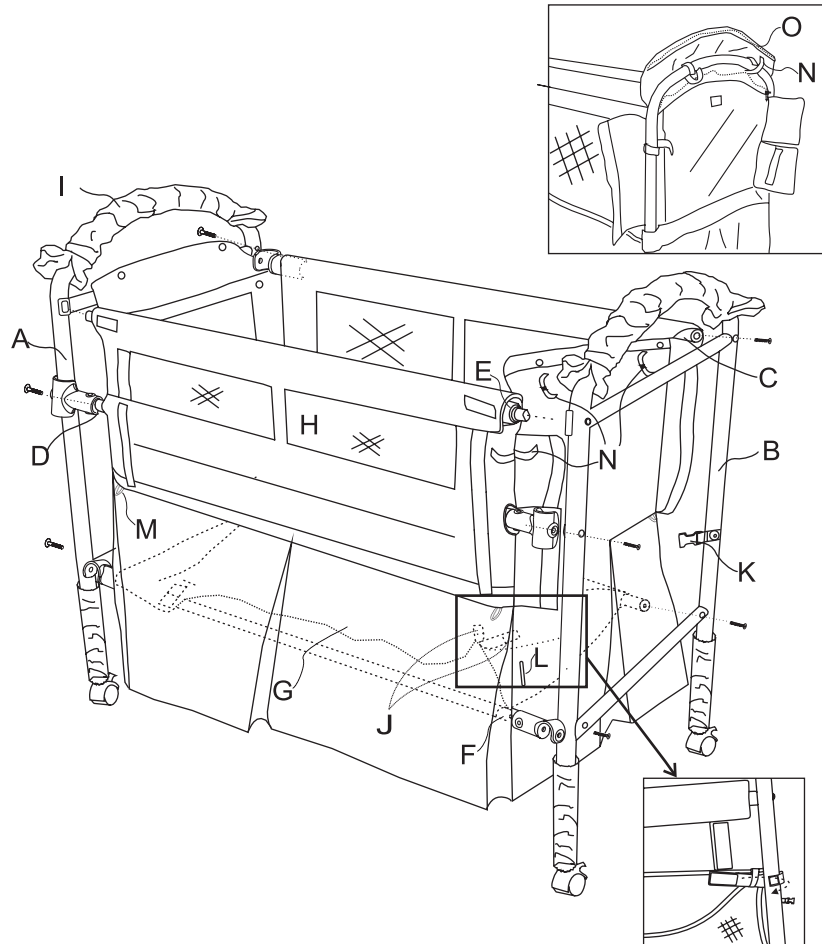
Read all instructions BEFORE assembly and USE of this product.

⚠️ WARNING: Failure to follow these warnings and instructions could result in serious injury or death.

SUFFOCATION HAZARD: Discard all packing materials immediately after opening. Plastic bags and ties may cause suffocation or choking.

- NEVER LEAVE your infant unattended in the Arm's Reach® CO-SLEEPER® brand bedside bassinet.
 - To reduce the risk of SIDS, pediatricians recommend healthy infants be placed on their backs to sleep, unless otherwise advised by your physician.
 - FALL HAZARD-To help prevent falls, do not use this product when the infant begins to push up on hands and knees or has reached 5 months of age, whichever comes first.
 - **SUFFOCATION HAZARD**
 - Infants have suffocated
 - In gaps between extra padding and side of bassinet/cradle and
 - On soft bedding
 - Use only the pad provided by manufacturer. Never add a pillow, comforter or another mattress for padding.
 - Never permit bedding from the adult bed to extend into the Bedside Sleeper.
 - To avoid serious injury or death, the side of the bedside sleeper that is attached to the adult bed must be no higher than the top of the adult bed mattress.
 - If sheet is used with the mattress, use only the one provided by the bassinet or cradle manufacturer or one specifically designed to fit the dimension of the bassinet or cradle mattress.
 - Strings can cause strangulation. DO NOT place items with a string around a child's neck, such as hood strings, pacifier cords, etc. DO NOT suspend strings over the unit in any configuration or attach string to toys.
 - NEVER LEAVE infant in unit without the TOP HORIZONTAL RAIL installed in the uppermost position, unless the unit is in the CO-SLEEPER® Bassinet configuration and the parent/caregiver is in the adult bed.
 - Only for an infant up to approximately 5 months in age or when child begins to push up on hands & knees, whichever comes first.
 - Discontinue use as an Co-Sleeper® brand bedside bassinet when child is able to roll over and pull him or herself up to a kneeling, sitting or standing position, or has reached manufacturer's maximum weight. Whichever comes first.
 - Always check to be sure that the upper locking bars and the lower locking bars are in their "locked position" before placing the infant in the Arm's Reach® CO-SLEEPER® brand bedside bassinet.
 - Use leg adjustment mechanism ONLY when attached to parental bed.
 - SUFFOCATION HAZARD-To help prevent suffocation and entrapment, use ONLY the mattress pad provided by Arm's Reach Concepts, Inc. NEVER use additional padding or mattress. DO NOT use shipping or other bags as mattress covers since they can cause suffocation.
 - Make sure all Velcro® straps are secured and tight when used in the co-sleeping position. Tighten straps periodically.
 - STRANGULATION/SUFFOCATION HAZARD: The top edge of the lowering bar must be level with or below the top of the adult mattress when used as an Arm's Reach® Co-Sleeper®. The level of the Arm's Reach® CO-SLEEPER® brand bedside bassinet mattress must be a minimum of 4 inches below the top edge of the lowering bar. **NEVER raise the level of the Arm's Reach® CO-SLEEPER® brand bedside bassinet mattress.**
 - NEVER USE the Arm's Reach® CO-SLEEPER® brand bedside bassinet in Co-Sleeper position without the anchor plate attached and locked as shown. Failure to use this anchoring system could result in serious injury or death to the infant. Make sure all straps are secured and tight. Check straps before each use.
 - Failure to use this securing system will allow the Arm's Reach® CO-SLEEPER® brand bedside bassinet to move away from the adult bed and could result in the infant falling out of the CO-SLEEPER® brand bedside bassinet. To prevent serious or fatal injury from falls always keep child within arm's reach.
 - STRANGULATION HAZARD: When anchor plate and strap assembly are not in use, store in a safe place not accessible to children.
 - DO NOT place product near a window where cords from blinds or drapes may strangle a child.
 - Keep the bassinet away from stoves, heaters, campfires and other hazards.
 - DO NOT allow children to climb or play on or under unit in any configuration.
 - IMPORTANT! Check this product for damaged hardware, loose joints, missing parts, or sharp edges before assembly and periodically during use.
 - DO NOT use if any parts are missing, damaged or broken. Contact Arm's Reach Concepts, Inc. for replacement parts and instructions if needed. Never substitute parts.
 - FALL HAZARD: Remove infant from the Arm's Reach® CO-SLEEPER® brand bedside bassinet before starting any conversions.
 - Always make sure all top and bottom rails are securely locked in all configurations, before putting an infant/child into the unit.
- THIS ARTICLE MEETS ALL FLAMMABILITY REQUIREMENTS OF CALIFORNIA BUREAU OF HOME FURNISHINGS TECHNICAL BULLETINS 116 AND 117. CARE SHOULD BE EXERCISED NEAR OPEN FLAME OR WITH BURNING CIGARETTES.

Parts List



Attachment of storage basket and nest to tube-see page 6.

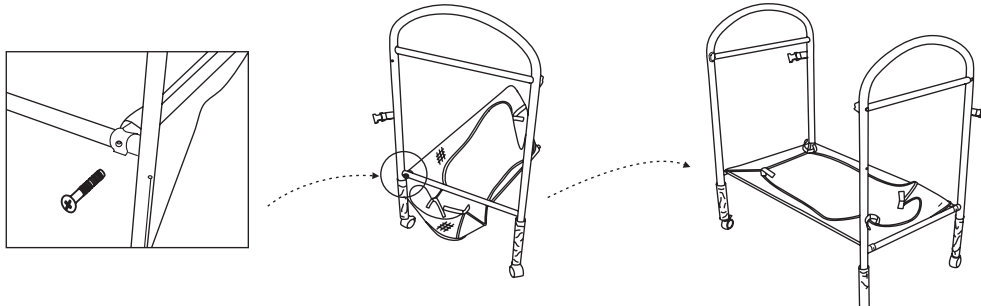
- A Side Rail Left 1 pc.
- B Side Rail Right 1 pc.
- C Back Rail 1 pc
- D Stationary Rail 1pc.
- E Removable Rail 1 pc.
- F Storage Basket Rail 2 pcs.
- G Storage Basket 1 pc.
- H Sleeping Nest 1 pc
- I Handle Cover 2 pcs. (Stratford only)
- J Velcro® straps for securing storage basket to sleeping nest 4 pcs.
- K Female straps connector for anchor plate 2 pcs.
- L Loop for anchor plate 2 pcs.
- M Loop for Velcro® straps of storage basket 4 pcs.
- N Velcro® straps for securing flaps 8 pcs.
- O Zipper 2 pcs. (for Bel Air, Angelica and Santa Barbara)

How to set up the CO-SLEEPER® brand bedside bassinet

⚠ WARNING: Failure to follow these warnings and instructions could result in serious injury or death.

Step 1

Attach the storage basket (G) to the side rail with 4 provided screws.



Step 2

For Stratford

Drop sleeping nest (H) in between side rails (A and B). Attach the two Velcro® straps (N) below the top Velcro® flap around the short rail, then cover the short rail with the top Velcro® flap as figure 1, attaching the Velcro® all the way. Secure the top Velcro® flap by attaching the two snaps. Repeat the same process for the opposite short side. Align back rail (C) to left & side rail (A and B), insert screws into the holes of the back rail end and screw in. Repeat the same process for the other end of back rail. Tighten all screws.

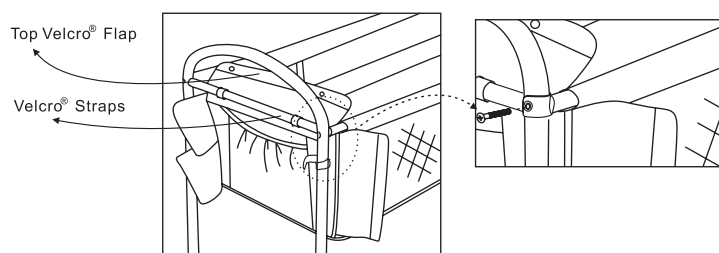


Figure1

For Angelica, Bel Air and Santa Barbara

Drop sleeping nest (H) in between side rails (A and B). Attach the two Velcro® straps (N), then close the zipper over the short rail with as figure 2. Repeat the same process for the opposite short side. Align back rail (C) to left & side rail (A and B), insert screws into the holes of the back rail end and screw in. Repeat the same process for the other end of back rail. Tighten all screws.

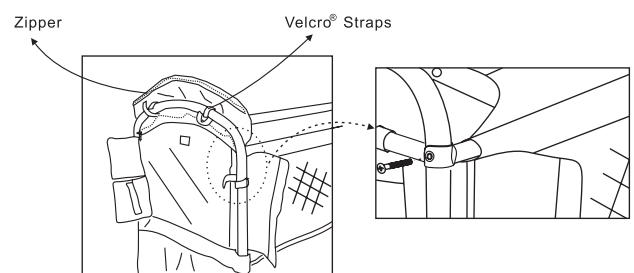
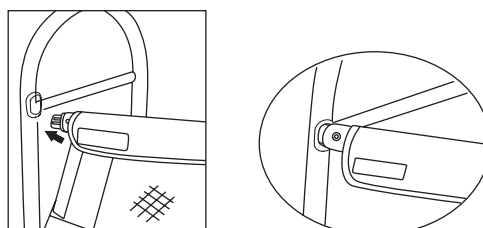


Figure2

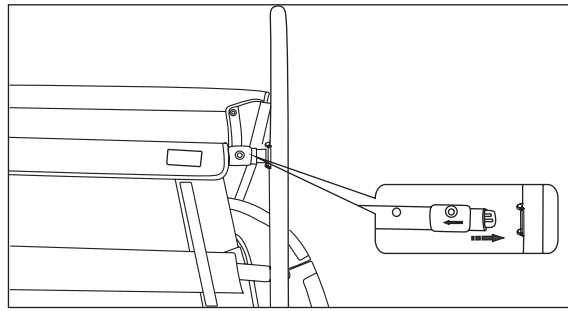
Step 3

Insert left side of front (side that connects to the adult bed) removable rail (E) into female receiver located on side rail.



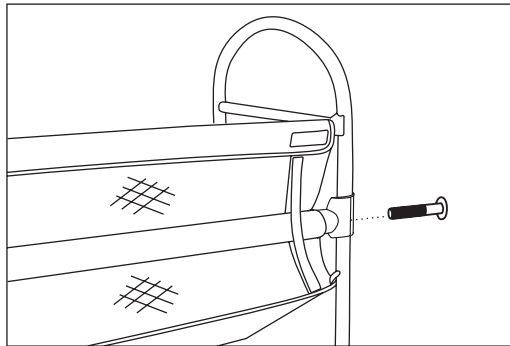
How to set up the CO-SLEEPER® brand bedside bassinet

To insert right side of front removable rail, slide spring lock towards left and insert it into right receiver.



Step 4

Align front stationary rail (D) to left & right side rail (A and B) then connect them with screws. As done in Step 2.



Step 5

Attach the side Velcro® straps first and then facing the short end secure the short and long Velcro® flaps by attaching the Velcro® to the side panels. Repeat the same process for the opposite short side.

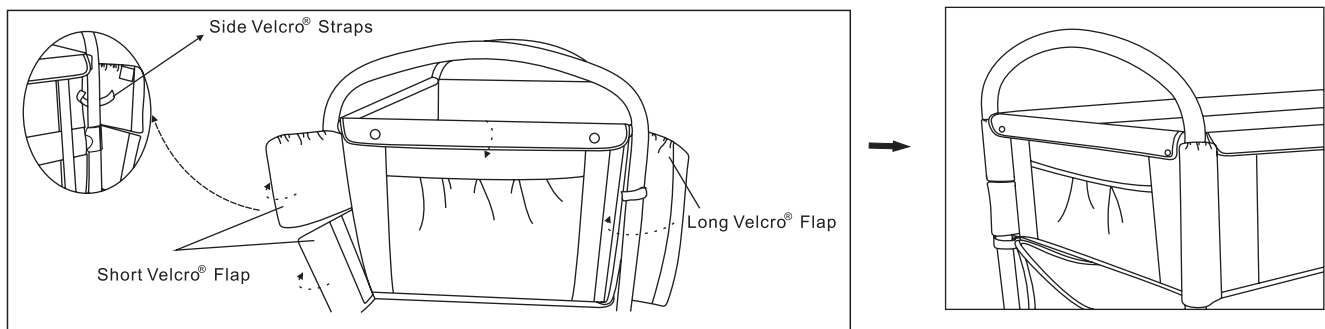


Figure1 (Stratford)

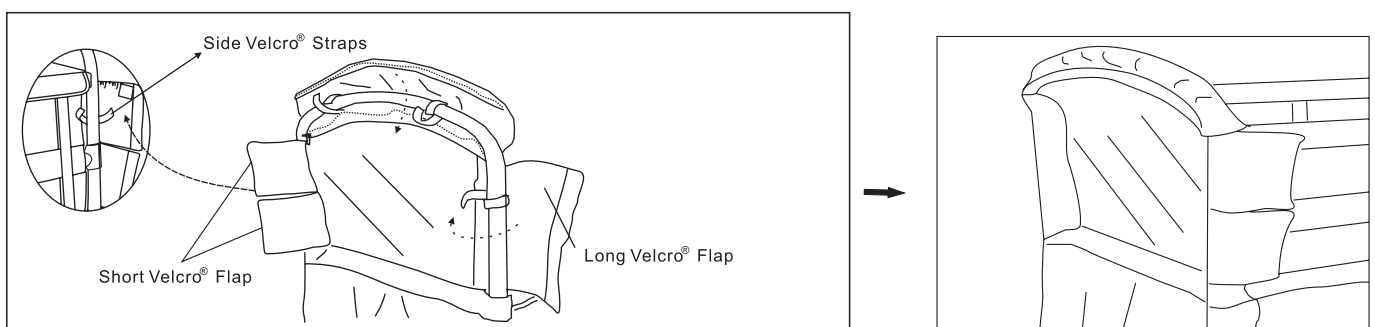
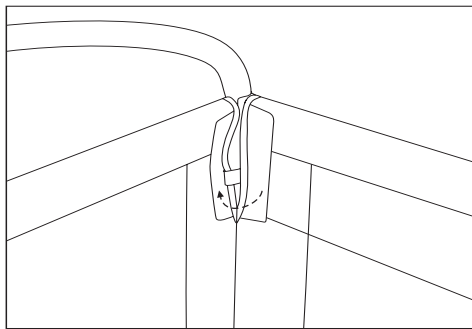


Figure 2 (Angelica, Bel Air and Santa Barbara)

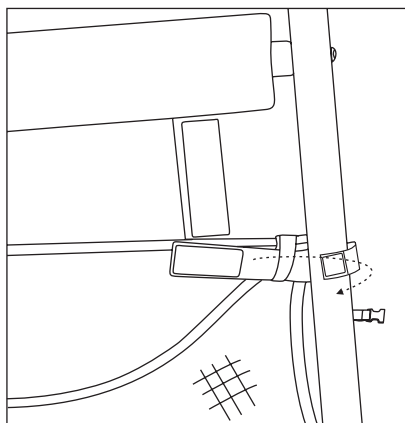
How to set up the CO-SLEEPER® brand bedside bassinet

Attach the Velcro® on the inside of the removable rail.



Step 6

Feed Velcro® straps from storage basket through loop (J) on the bottom of sleeping nest and secure to each leg.



For stratford, Put the handle covers on the rail handles as in Figure 1. The unit is now in a free standing bassinet position. See Figures 1 and 2.

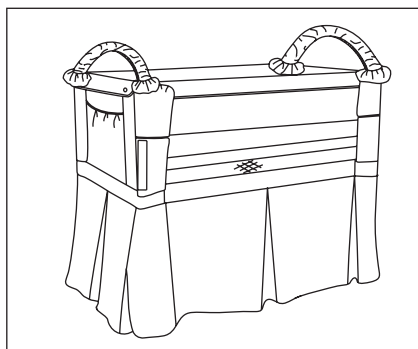


Figure 1 (Stratford)

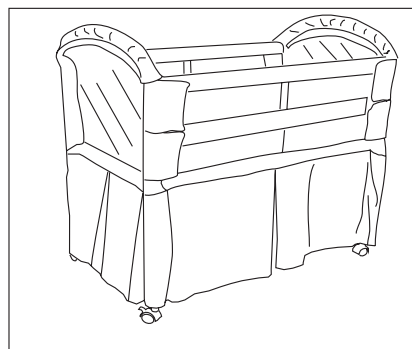


Figure 2 (Angelica, Bel Air and Santa Barbara)

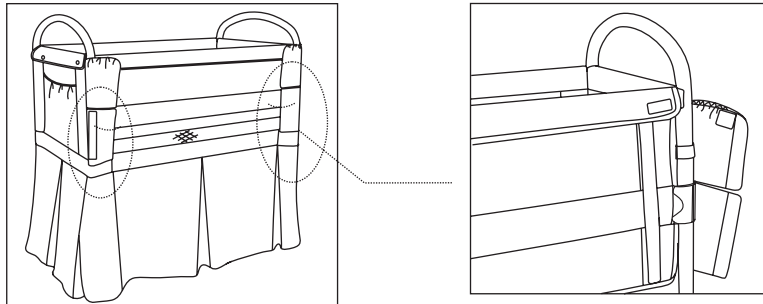
⚠ WARNING: Make sure all Velcro® straps are secured and tight. Periodically check your product to Make certain all Velcro® and screws are tightened securely.

To convert to Co-Sleeping position

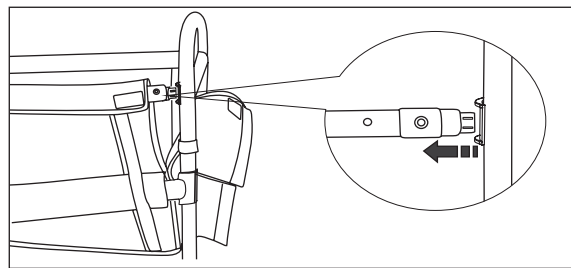
⚠ FALLING HAZARD: Remove infant from Arm's Reach[®] CO-SLEEPER[®] brand bedside bassinet before starting any conversions.

Step 1

Open Velcro[®] on two short flaps.
Repeat above on other side.

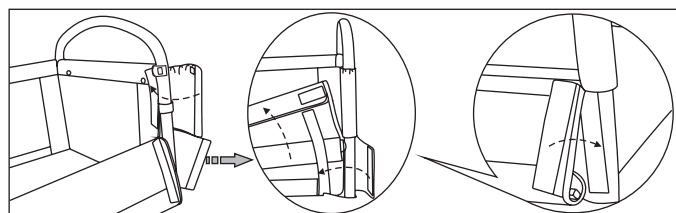


Pull back fabric of removable rail (E) to expose spring lock.
Slide spring lock away from plastic receiver as show and drop removable rail down.



Step 2

Pull two short flaps and attach the Velcro[®] on both sides. Attach the upper short flap to cover plastic female receiver on both side rails.



For Stratford, Put the handle covers on the rail handles as in Figure 1.
The unit is now in a co-sleeping bassinet position. See Figures 1 and 2.

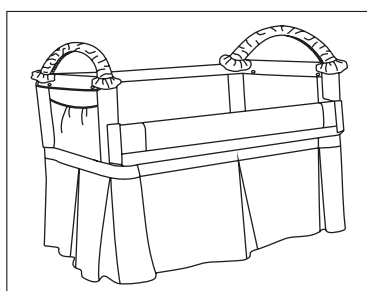


Figure1 (Stratford)

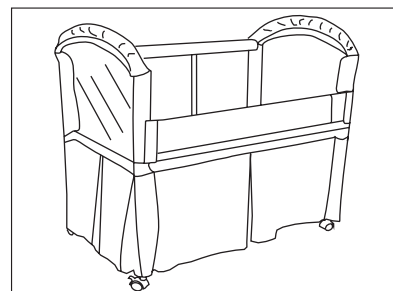


Figure 2 (Angelica, Bel Air and Santa Barbara)

How to attach the Co-Sleeper® brand bedside bassinet to adult bed

The top edge of the stationary rail (D) must be level with or below the top of the adult mattress when use as CO-SLEEPER® brand bedside bassinet.

To make Arm's Reach® CO-SLEEPER® brand bedside bassinet higher, first measure adult bed from floor to top of mattress. If adult bed is higher, than 24" you will need to raise the CO-SLEEPER® brand bedside bassinet.

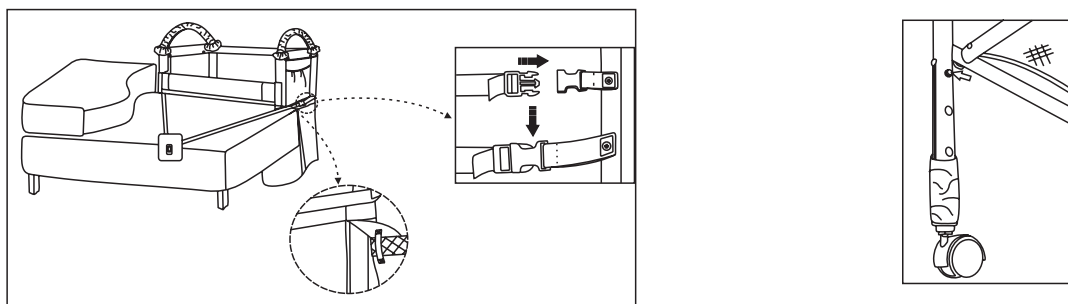
Lay the bassinet on its side. On the bottom of the legs, find the leg adjuster mechanism. Slide fabric sleeve towards wheel exposing push button. Push button and pull leg to required bed height (26", 28", or 30"). Do this for all four legs.

To secure your CO-SLEEPER® to the adult bed, unroll safety belt from plastic anchor plate and lay straps across the adult bed to line the center of the desired position.

The straps must now be positioned between the box spring and mattress. This can be done by sliding the straps using a sawing motion and at the same time pulling downward until the straps and resistance anchor plate are in their desired position.

One strap should come out on each side of the CO-SLEEPER® brand bedside bassinet. Thread anchor plate strap through loop found on inside of skirt. Connect into the female buckle (K) at the rear leg of Co-Sleeper® brand bedside bassinet.

Pulling on excess strap, tightening CO-SLEEPER® brand bedside bassinet against adult bed. Repeat on other side. Take excess strap and push it between adult mattress.



⚠ WARNING: STRANGULATION/SUFFOCATION HAZARD: The top edge of the stationary rail must be level with or below the top of the adult mattress when used as a CO-SLEEPER® brand bedside bassinet. The level of the CO-SLEEPER® brand bedside bassinet mattress must be a minimum of 4 inches below the top edge of the stationary rail. NEVER raise the level of the CO-SLEEPER® brand bedside bassinet mattress level with, or above the top of the stationary rail.

⚠ WARNING: NEVER USE as a CO-SLEEPER® brand bedside bassinet in co-sleeping position without the anchor plate attached and locked as shown. Failure to use this anchoring system could result in serious injury or death to the infant. Make sure all straps are secured and tight. Check straps before each use.

⚠ WARNING: Failure to use this securing system will allow the CO-SLEEPER® brand bedside bassinet to move away from the adult bed and could result in infant falling out of the CO-SLEEPER® brand bedside bassinet. NEVER leave infant unattended in the CO-SLEEPER® brand bedside bassinet.

⚠ WARNING: STRANGULATION/CHOKING HAZARD Do Not allow excess strap (or any other loose object) to find it's way into the CO-SLEEPER® brand bedside bassinet. Do not allow excess strap to lay loose on floor because someone may trip over it.

⚠ WARNING: Make sure all Velcro® straps are secured and tight. Periodically Check your product to make certain all Velcro® and screws are tightened securely.

⚠ WARNING: Make sure push button on leg extension mechanism is secured for proper bed height.

Cleaning:

Mattress: Wipe clean with a damp cloth. Air dry. Do not machine wash or use hot iron.

Mattress sheet: Machine wash, lukewarm water. Do not bleach. Air fluff dry. No heat.

Lining: Machine washable on lukewarm setting use delicate cycle. No chlorine bleach.

Drip dry.

Metal Frame: Wipe With soft damped cloth. Air dry.

Maintenance:

Regularly check screws and springlock to make sure they are secured in place.

Wipe surface with a damp cloth or sponge using mild detergent water.

Lisez toutes les instructions AVANT d'assembler et d'UTILISER ce produit.

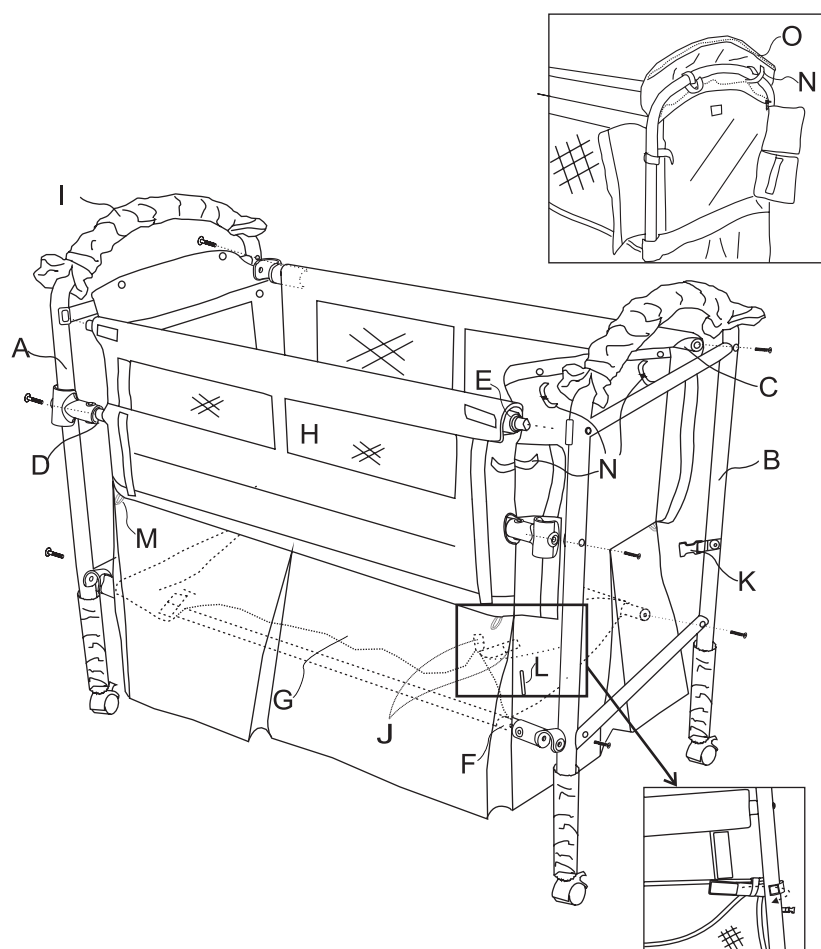
⚠ AVERTISSEMENT : Le non-respect de ces instructions et de ces avertissements peut causer des blessures graves, voire mortelles.

RISQUE DE SUFFOCATION : Jetez tous les matériaux d'emballage immédiatement après l'ouverture de la boîte. Les attaches et les sacs en plastique peuvent causer une suffocation ou un étouffement.

- NE LAISSEZ JAMAIS un enfant sans surveillance dans un bassinnet jumelé CO-SLEEPER^{MD} de Arm's Reach^{MD}.
- Pour réduire les risques de syndrome de mort subite des nourrissons, les pédiatres recommandent que les enfants en bonne santé soient placés sur le dos pour dormir, sauf si le médecin vous donne des instructions contraires.
- RISQUES DE CHUTE-Pour éviter les chutes, cessez l'utilisation de ce produit dès que le bébé commence à se redresser avec ses mains et ses genoux ou lorsqu'il a atteint l'âge de 5 mois, selon la première de ces deux éventualités.
- **RISQUE DE SUFFOCATION**
 - Les nourrissons ont étouffé
 - Dans les espaces entre un rembourrage supplémentaire et le côté de la couchette / berceau et
 - On literie molle
 - Utiliser uniquement la housse fournie par le fabricant. Ne jamais ajouter un oreiller, couette ou un autre matelas pour le rembourrage.
 - Jamais permis de literie du lit pour adultes à s'étendre dans le lit de chevet.
 - Pour éviter les blessures graves ou la mort, du côté de la traverse de nuit qui est attachée à un lit d'adulte ne doit pas être de la partie supérieure du matelas du lit des adultes.
 - Si vous désirez utiliser un drap avec le matelas, utilisez uniquement celui fourni par le fabricant avec le produit ou un drap spécialement conçu pour s'ajuster aux dimensions du matelas.
- Les cordons peuvent provoquer une strangulation. NE PLACEZ JAMAIS un article comportant un cordon à proximité du cou de l'enfant (comme les cordons d'une capuche ou d'une sucette). NE SUSPENDEZ JAMAIS de cordons au-dessus du Co-Sleeper^{MD} et n'attachez jamais de cordons aux jouets.
- Il ne faut JAMAIS laisser le bébé dans ce meuble sans que la TRAVERSE HORIZONTALE SUPÉRIEURE soit installée à sa position la plus haute, à moins que le meuble soit en configuration bassinnet CO-SLEEPER^{MD} et qu'un parent ou tuteur soit dans le lit d'adulte.
- Ce produit est conçu pour les bébés de la naissance à 5 mois ou jusqu'à ce que le bébé commence à pousser sur ses mains et ses genoux, dès la première de ces deux possibilités.
- Cessez d'utiliser la configuration « bassinnet jumelé Co-Sleeper^{MD} » dès que l'enfant peut se rouler seul et se placer en position assise, agenouillée ou debout, selon le premier de ces cas.
- Assurez-vous toujours que les barres de blocage supérieures et inférieures sont bien en position bloquée avant de poser un bébé dans le bassinnet jumelé CO-SLEEPER^{MD} de Arm's Reach^{MD}.
- Utilisez le mécanisme de réglage de patte SEULEMENT une fois attaché au lit d'adulte.
- RISQUES DE SUFFOCATION-Pour éviter les risques de suffocation, utilisez UNIQUEMENT le matelas/tapis fourni par la société Arm's Reach Concepts, Inc. Il ne faut JAMAIS utiliser d'autres matelas ou du rembourrage supplémentaire. N'utilisez JAMAIS les plastiques d'emballage ou d'autres sacs comme couvre-matelas car ils pourraient causer une suffocation.
- Lorsque le produit est utilisé dans les positions de couchette jumelée, assurez-vous que toutes les bandes Velcro[®] sont solides et serrées. Resserez-les périodiquement.
- RISQUE DE STRANGULATION/SUFFOCATION : Lorsque le produit est utilisé en configuration bassinnet Co-Sleeper^{MD} de Arm's Reach^{MD}, le rebord supérieur de la barre abaissable doit être à égalité ou plus bas que le dessus du matelas du lit d'adulte. Le dessus du matelas du bassinnet CO-SLEEPER^{MD} de Arm's Reach^{MD} doit être à au moins 4 pouces (10 cm) sous le rebord supérieur de la barre abaissable. **NE JAMAIS relever le niveau du matelas du bassinnet CO-SLEEPER^{MD} de Arm's Reach^{MD}.**
- Il ne faut JAMAIS utiliser le bassinnet jumelé CO-SLEEPER^{MD} de Arm's Reach^{MD} en configuration de couchette jumelée sans que la plaque de fixation soit solidement installée et bloquée, conformément à l'illustration. Si le système de fixation n'est pas utilisé, l'enfant pourrait subir des blessures graves, voire mortelles. Assurez-vous que toutes les sangles sont serrées et solides. Vérifiez les sangles avant chaque utilisation.
- Si le système d'attache n'est pas utilisé, le bassinnet jumelé CO-SLEEPER^{MD} de Arm's Reach^{MD} risque de s'éloigner du lit d'adulte et l'enfant pourrait tomber de son lit. Pour éviter les chutes pouvant causer des blessures graves voire mortelles, l'enfant doit toujours demeurer à portée de main d'un adulte.
- RISQUE DE STRANGULATION : Lorsque la plaque et les sangles de fixation ne sont pas utilisées, rangez-les hors de portée des enfants.
- NE PLACEZ JAMAIS ce produit près d'une fenêtre à laquelle pendent les cordons d'un store ou d'un rideau pouvant étrangler l'enfant.
- Le bassinnet doit demeurer à bonne distance de la cuisinière, des appareils de chauffage, d'un feu de camp et de tout autre danger.
- Il ne faut JAMAIS laisser l'enfant grimper ou jouer sur / sous le meuble, quelle qu'en soit la configuration.
- IMPORTANT! Avant l'assemblage et périodiquement durant l'utilisation, vérifiez le produit pour voir s'il y a des fixations endommagées, des joints desserrés, des pièces manquantes ou des rebords pointus.
- N'UTILISEZ PAS ce produit si des pièces sont manquantes, endommagées ou cassées. Si nécessaire, contactez Arm's Reach Concepts, Inc. pour demander des pièces de rechange et des instructions. Ne substituez jamais de pièce.
- RISQUE DE CHUTE : Avant de commencer une conversion, retirez l'enfant du bassinnet jumelé CO-SLEEPER^{MD} de Arm's Reach^{MD}.
- Avant de poser un bébé dans le parc ou le lit, assurez-vous toujours que les traverses supérieures et inférieures sont solidement bloquées, quelle que soit la configuration.

CET ARTICLE RESPECTE TOUTES LES NORMES D'INFLAMMABILITÉ DU BUREAU CALIFORNIEN DES MEUBLES DE MAISON, DÉCRITES DANS LES BULLETINS TECHNIQUES 116 ET 117. FAITES ATTENTION DE NE PAS L'EXPOSER À UNE FLAMME VIVE OU À UNE CIGARETTE ALLUMÉE.

Liste de pièces



Fixation du panier de rangement et du panier-lit sur le tube (voir page 14)

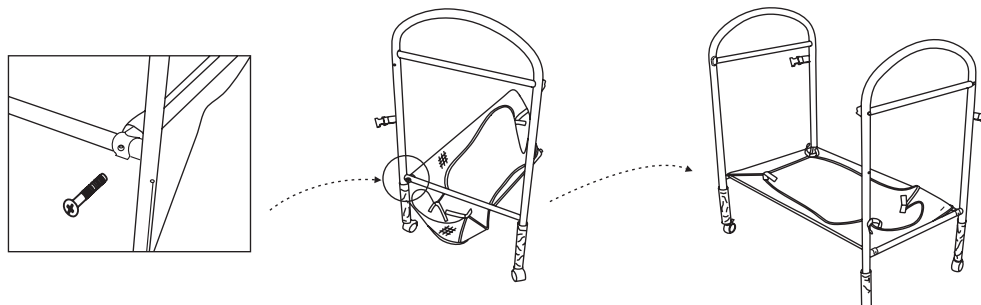
- A. Traverse latérale gauche (1)
- B. Traverses latérales droites (2)
- C. Traverse arrière (1)
- D. Traverse fixe (1)
- E. Traverse amovible (1)
- F. Traverses du panier de rangement (2)
- G. Panier de rangement (1)
- H. Panier-lit (1)
- I. Housse de poignée (2) (Stratford uniquement)
- J. Bandes Velcro® pour fixer le panier de rangement sur le panier-lit (4)
- K. Connecteurs de sangle femelle pour plaque d'ancrage (2)
- L. Boucles de plaque d'ancrage (2)
- M. Boucles pour bandes Velcro du panier de rangement (4)
- N. Bandes Velcro® de fixation des rabats (8)
- O. Fermeture à glissière (2) (modèles Bel Air, Angelica et Santa Barbara)

Procédure d'installation du bassinnet jumelé CO-SLEEPER^{MD}

⚠ AVERTISSEMENT : Le non-respect de ces avertissements et de ces instructions pourrait causer des blessures graves, voire mortelles.

Étape 1

Avec l'aide de 4 vis incluses, fixez le panier de rangement (G) sur les montants latéraux.



Étape 2

Modèle Stratford

Descendez le panier-lit (H) entre les traverses latérales (A et B).

Fixez les deux bandes Velcro[®] (N) sous le rabat Velcro[®] supérieur autour de la traverse courte, puis recouvrez la traverse courte avec le rabat Velcro[®] supérieur comme dans la figure 1, en prenant soin de fixer la bande Velcro[®] sur toute la longueur. Fixez le rabat Velcro[®] supérieur à l'aide des deux boutons pression. Répétez la même procédure sur le côté court opposé.

Alignez la traverse arrière (C) avec les traverses latérales (A et B), puis insérez les vis dans les trous à l'extrémité de la traverse arrière et vissez. Répétez la même procédure sur l'autre extrémité de la traverse arrière. Serrez toutes les vis.

Modèles Angelica, Bel Air et Santa Barbara

Descendez le panier-lit (H) entre les traverses latérales (A et B).

Fixez les deux bandes Velcro[®] (N), puis fermez la fermeture à glissière sur la traverse courte comme dans la figure 2. Répétez la même procédure sur le côté court opposé.

Alignez la traverse arrière (C) avec les traverses latérales (A et B), puis insérez les vis dans les trous à l'extrémité de la traverse arrière et vissez.

Répétez la même procédure sur l'autre extrémité de la traverse arrière. Serrez toutes les vis.

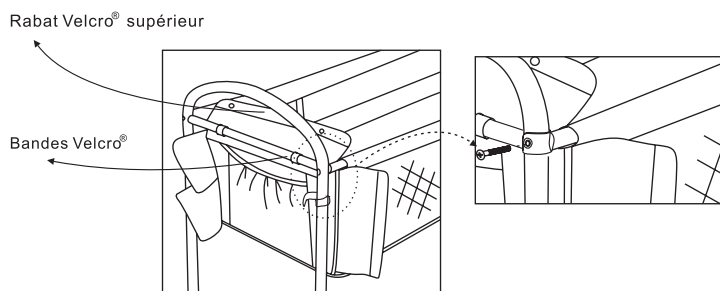


Figure 1

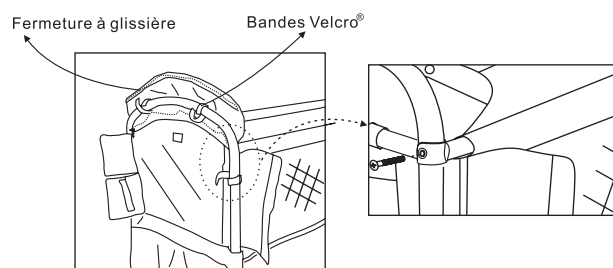
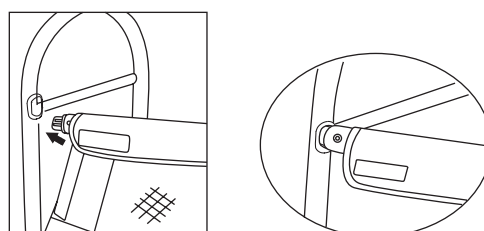


Figure 2

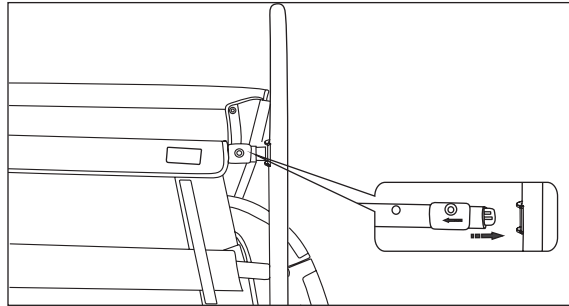
Étape 3

Insérez le côté gauche de la barrière amovible avant (E) (côté relié au lit d'adulte) dans le réceptacle femelle situé sur le montant latéral.



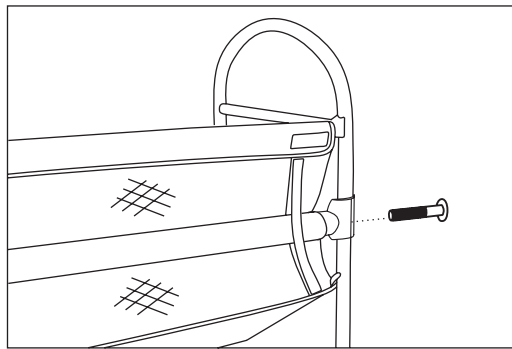
Procédure d'installation du bassinnet jumelé CO-SLEEPER^{MD}

Pour insérer le côté droit de la barrière amovible avant, glissez le verrou à ressort vers la gauche, puis insérez-le dans le réceptacle droit.



Étape 4

Alignez la barrière fixe (D) avant avec le montant latéral gauche et le montant latéral droit (A et B), puis fixez ces composants avec 2 vis comme dans l'étape 2.



Étape 5

Installez d'abord les bandes Velcro[®] latérale, puis face à l'extrémité courte, installez les rabats Velcro[®] long et court en fixant l'attache Velcro[®] sur les panneaux latéraux.

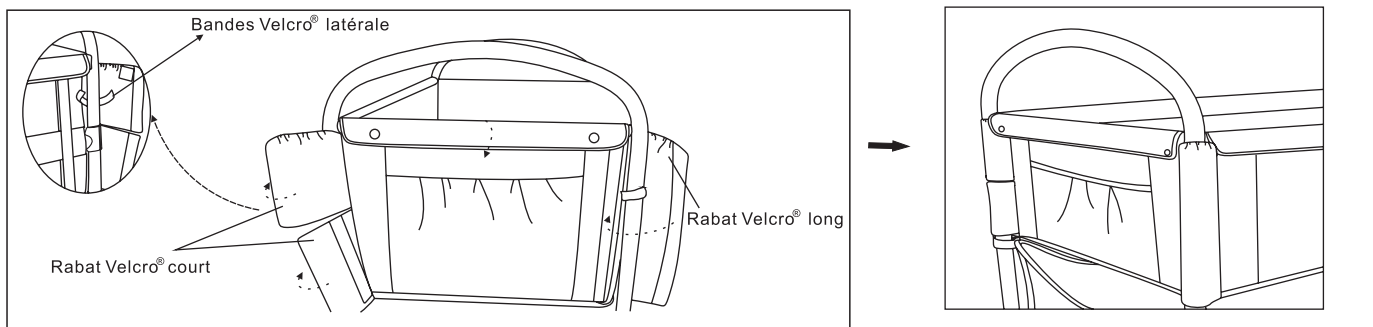


Figure1 (Stratford)

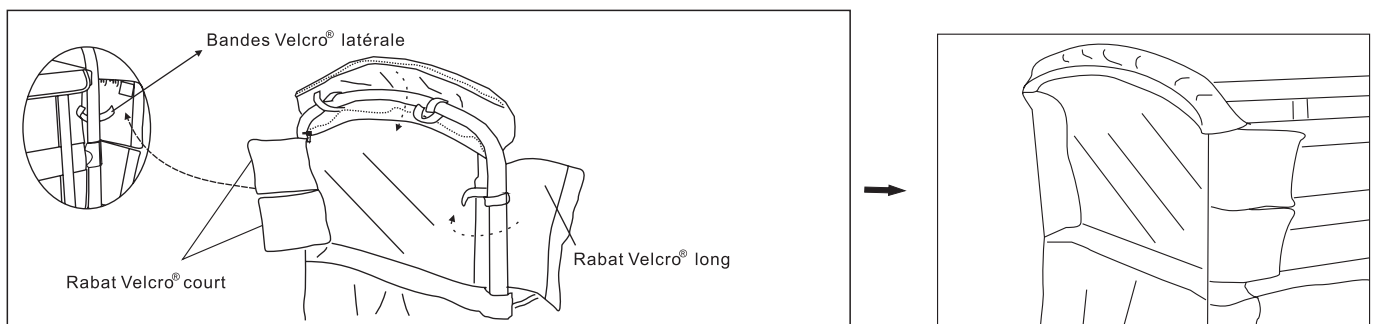
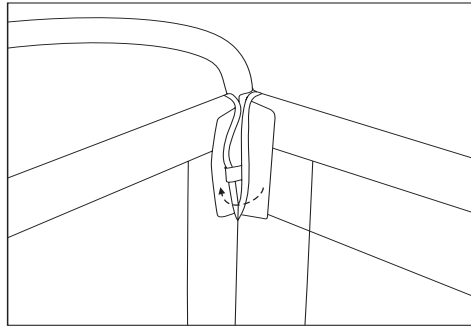


Figure 2 (Angelica, Bel Air et Santa Barbara)

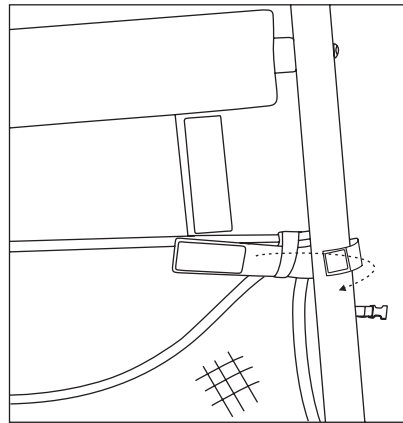
Procédure d'installation du bassinnet jumelé CO-SLEEPER^{MD}

Fixez l'attache Velcro[®] sur l'intérieur de la barrière amovible.



Étape 6

Au niveau de chaque patte du bassinnet, passez l'attache Bandes Velcro[®] dans le panier de rangement et dans la boucle (J) à la base du nid de sommeil, puis faites-la tenir sur la patte.



Si vous avez un modèle Stratford, installez les housses des poignées sur les poignées transversales. Le produit est maintenant en configuration de bassinnet autonome. (voir les figures 1 et 2).

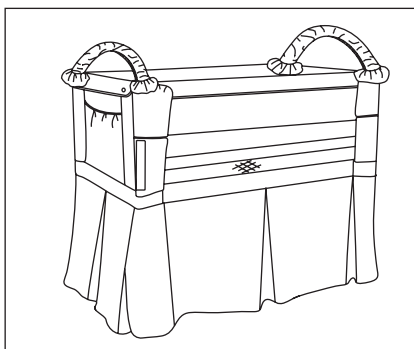


Figure1 (Stratford)

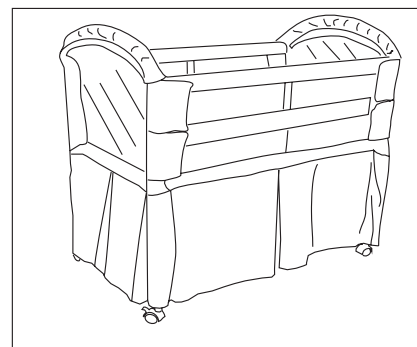


Figure 2 (Angelica, Bel Air et Santa Barbara)

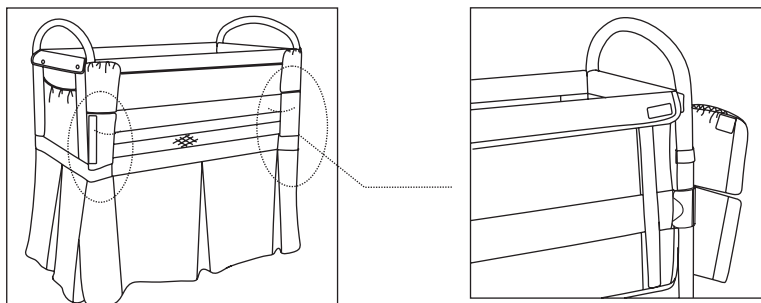
⚠ AVERTISSEMENT : Assurez-vous que toutes les attaches Velcro[®] sont solides et bien serrées. Le produit doit être périodiquement vérifié pour confirmer que toutes les attaches Velcro[®], toutes les vis et tous les boulons sont solidement serrés.

Conversion en position de lit adjacent

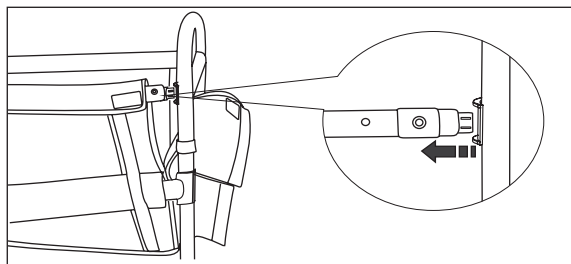
⚠ DANGER DE CHUTE : Avant de convertir le bassinet jumelé CO-SLEEPER^{MD} de Arm's Reach^{MD}, il est essentiel d'en retirer le bébé.

Étape 1

Ouvrez les attaches Velcro[®] sur deux rabats courts. Répétez l'opération sur l'autre côté.

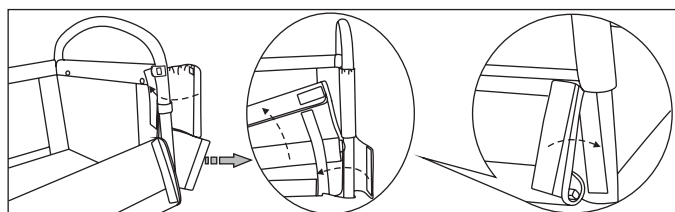


Tirez le tissu de la traverse amovible (E) de façon à bien voir le verrou. Écartez le verrou à ressort du réceptacle en plastique conformément à l'illustration, puis descendez la traverse amovible.



Étape 2

Tirez les deux rabats courts et installez l'attache Velcro[®] sur les deux côtés. Installez le rabat court supérieur de façon à couvrir le réceptacle femelle en plastique sur les deux traverses latérales.



Si vous avez un modèle Stratford, installez les housses des poignées sur les poignées transversales. Le produit est maintenant en configuration de bassinet adjacent (voir les figures 1 et 2).

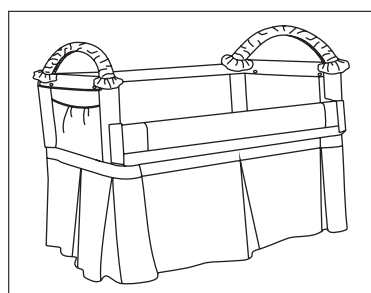


Figure 1 (Stratford)

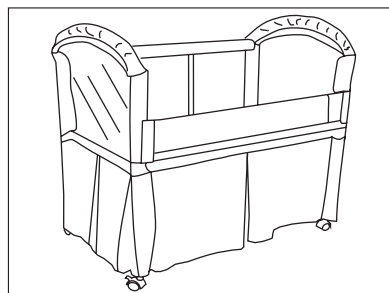


Figure 2 (Angelica, Bel Air et Santa Barbara)

Procédure pour fixer le bassinnet jumelé CO-SLEEPER^{MD} à un lit d'adulte

Lorsque le produit est utilisé en configuration bassinnet jumelé CO-SLEEPER^{MD}, le rebord supérieur de la traverse fixe (D) doit être à égalité ou plus bas que le dessus du matelas du lit d'adulte.

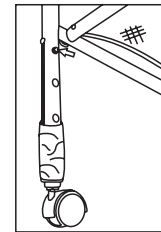
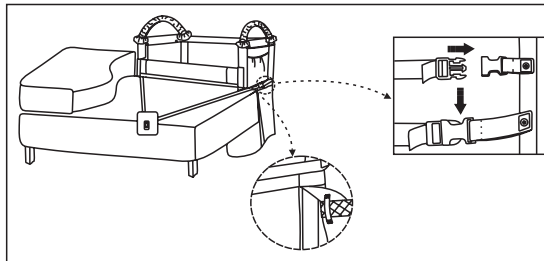
Pour relever le bassinnet jumelé CO-SLEEPER^{MD} de Arm's Reach^{MD}, mesurez d'abord la hauteur du lit d'adulte entre le sol et le dessus du matelas. Si la hauteur du lit d'adulte est supérieure à 61 cm (24 po), vous devez relever le bassinnet jumelé CO-SLEEPER^{MD}.

Étalez le bassinnet sur le côté. Sur le bas des pattes, repérez le mécanisme de réglage de hauteur.

Glissez le manchon en tissu vers la roue pour exposer le bouton poussoir. Enfoncez le bouton d'une patte et allongez-la à hauteur désirée (26 po/66 cm, 28 po/71 cm ou 30 po/76 cm). Exécutez cette opération sur les quatre pattes.

Pour fixer Co-Sleeper[®] sur le lit d'adulte, déroulent la ceinture de sécurité du plat d'adulte ; ancrage en plastique, puis diffusion dehors les courroies à travers le lit d'adulte en les alignant au centre de la position désirée. Les courroies doivent alors être placées entre le diagrid et le matelas. Cette opération peut être réalisée en glissant les courroies avec un mouvement de va et vient en descendant en bas jusqu'aux courroies basses et le plat sont avec la position appropriée. Une courroie doit arriver de chaque côté du petit bassinnet jumelé CO-SLEEPER^{MD}. Filetez la courroie du plat d'adulte ; l'ancrage par les boucles envisagées à cette fin des côtés de la jupe et insèrent l'extrémité dans l'attache femelle (k) sur la jambe arrière du petit bassinnet jumelé CO-SLEEPER^{MD}.

Tirez la longueur excédentaire de sangle de façon à serrer le bassinnet jumelé CO-SLEEPER^{MD} contre le lit d'adulte. Répétez sur le côté opposé. Tirez la longueur excédentaire de sangle, puis insérez-la entre le matelas et le sommier du lit d'adulte.



⚠ AVERTISSEMENT. DANGER DE STRANGULATION/SUFFOCATION:

Le rebord supérieur de la traverse fixe doit être à la même hauteur ou plus basse que le dessus du matelas d'adulte lorsque le produit est utilisé à titre de lit de bébé adjacent. Le dessus du matelas du bassinnet jumelé CO-SLEEPER^{MD} de Arm's Reach^{MD} doit être au moins 10 cm plus bas que le rebord supérieur de la traverse fixe. Il ne faut JAMAIS que le dessus du matelas du bassinnet jumelé CO-SLEEPER^{MD} de Arm's Reach^{MD} soit à la même hauteur ou plus haut que le dessus de la traverse fixe.

⚠ AVERTISSEMENT. Il ne faut JAMAIS utiliser le bassinnet jumelé CO-SLEEPER^{MD} de Arm's Reach^{MD} en position CO-SLEEPER[®] sans que la plaque d'ancrage soit installée et bloquée conformément aux illustrations. La non-utilisation de ce système d'ancrage pourrait occasionner au bébé des blessures graves, voire mortelles. Il est essentiel de s'assurer que toutes les sangles sont solidement serrées. Les sangles doivent être vérifiées avant chaque usage.

⚠ AVERTISSEMENT. Si ce système de sécurité n'est pas utilisé, le bassinnet jumelé CO-SLEEPER^{MD} de Arm's Reach^{MD} risque de s'écarter du lit d'adulte et le bébé pourrait alors tomber hors du bassinnet jumelé CO-SLEEPER^{MD}. Il ne faut JAMAIS laisser un bébé sans surveillance dans le bassinnet jumelé CO-SLEEPER^{MD} de Arm's Reach^{MD}.

⚠️ AVERTISSEMENT. DANGER DE STRANGULATION/SUFFOCATION Il ne faut jamais qu'une longueur excédentaire de sangle (ou tout autre objet non fixé) puisse entrer dans le bassinnet jumelé CO-SLEEPER^{MD} de Arm's Reach^{MD}. En outre, aucune longueur excédentaire de sangle ne doit pendre librement sur le sol car quelqu'un pourrait s'y accrocher les pieds.

⚠️ AVERTISSEMENT : Assurez-vous que toutes les attaches Velcro[®] sont solides et bien serrées. Le produit doit être périodiquement vérifié pour confirmer que toutes les attaches Velcro[®], toutes les vis et tous les boulons sont solidement serrés.

⚠️ AVERTISSEMENT : Assurez-vous que le bouton-poussoir de la rallonge est bien enclenché à la hauteur de lit appropriée.

Nettoyage :

Matelas : Essuyer avec un tissu humide. Laisser sécher à l'air libre. Ne pas laver à la machine et ne pas utiliser de fer chaud.

Drap : Laver à la machine avec de l'eau tiède. Ne pas utiliser de javel. Sécher à la machine sans chaleur.

Doublure : Laver à la machine avec de l'eau tiède au cycle délicat. Ne pas utiliser de javel. Sécher à la corde.

Châssis métallique : Essuyer avec un tissu humide. Laisser sécher à l'air libre.

Entretien :

Vérifier régulièrement les vis, les rondelles et les verrous à ressort pour s'assurer qu'ils sont solidement en place.

Essuyer les surfaces avec une éponge ou un tissu mouillé et un détergent doux.

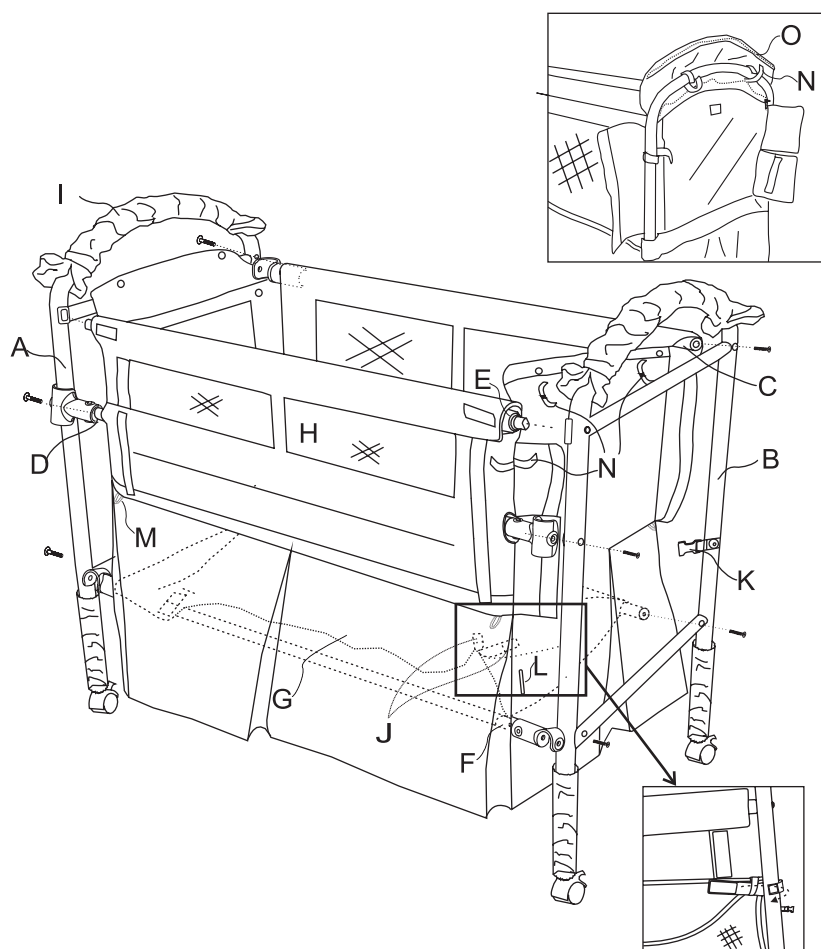
Lea todas las instrucciones ANTES de ensamblar y UTILIZAR este producto.

⚠️ ADVERTENCIA: El incumplimiento de estas advertencias e instrucciones puede resultar en lesiones graves o la muerte.

RIESGO DE ASFIXIA: Deseche todos los materiales de embalaje inmediatamente después de abrir la caja. Las bolsas plásticas y las amarras pueden causar asfixia o atragantamiento.

- NUNCA DEJE desatendido al bebé en el CO-SLEEPER® bassinet de Arm's Reach® como cama adosada.
 - A fin de reducir el riesgo del síndrome de muerte infantil súbita (SIDS) los pediatras recomiendan que los bebés sanos se acuesten de espaldas, boca arriba, para dormir, a menos que su médico lo indique de manera diferente.
 - RIESGO DE CAÍDAS-Para ayudar a prevenir las caídas, no use este producto cuando el bebé comience a empujarse y colocarse sobre manos y rodillas ni cuando el bebé haya cumplido 5 meses de nacido, lo que ocurra primero.
 - **RIESGO DE ASFIXIA**
 - Los bebés se han asfixiado
 - En los espacios entre el acolchado adicional y el lado del moisés / cuna y
 - En ropa de cama blanda
 - Utilice solamente la almohadilla del fabricante. Nunca agregue una almohada, un edredón o cualquier otro colchón para relleno.
 - Nunca permita que las camas de la cama de los adultos que se extienden en la cama junto a la cama.
 - Para evitar lesiones graves o la muerte, el lado de la cama junto a la cama que está unida a la cama de los adultos no debe ser superior a la parte superior del colchón de los adultos.
 - Si usa una sábana con el colchón, use solamente la que suministra el fabricante del Co-Sleeper bassinet o de la cuna; o una que esté específicamente diseñada para cubrir las dimensiones del colchón del Co-Sleeper bassinet o de la cuna.
 - Las cuerdas pueden causar estrangulamiento. NO coloque artículos con cuerdas alrededor del cuello de un niño, tales como los cordones de gorros, cuerdas de chupetes, etc. NO cuelgue cuerdas sobre la unidad en ninguna configuración ni ate cuerdas a los juguetes.
 - NUNCA DEJE al bebé en la unidad si el RIEL HORIZONTAL SUPERIOR no está instalado en la posición más elevada, a menos que la unidad esté en la configuración CO-SLEEPER® bassinet y los padres o el cuidador están en la cama de los adultos.
 - Solamente para un bebé hasta que tenga aproximadamente 5 meses de nacido o cuando el bebé comience a empujarse con las manos y las rodillas, lo que ocurra primero.
 - Suspnda el uso de la unidad como Co-Sleeper® bassinet de cama adosada cuando el bebé ya pueda rodar y colocarse en posición de rodillas, sentado o de pie; o cuando ya haya alcanzado el peso máximo permitido por el fabricante. Lo que ocurra primero.
 - Inspeccione siempre para cerciorarse de que las barras de bloqueo superiores e inferiores estén en "posición fija" antes de colocar al bebé en el CO-SLEEPER® bassinet de Arm's Reach® como cama adosada.
 - Use el mecanismo de ajuste de las patas SOLAMENTE cuando la unidad esté adosada a la cama de los adultos.
 - RIESGO DE ASFIXIA-Para ayudar a prevenir la asfixia y el atrapamiento, use SOLAMENTE la almohadilla del colchón suministrada por Arm's Reach Concepts, Inc. NUNCA use almohadillas ni colchones adicionales. NO use bolsas de embalaje ni de otro tipo como forros del colchón, ya que pueden causar asfixia.
 - Cerciórese de que todas las correas Velcro® estén firmemente sujetadas y ajustadas cuando la unidad se utilice en posición de cama adosada. Apriete las correas periódicamente.
 - RIESGO DE ESTRANGULAMIENTO / ASFIXIA: Cuando use la unidad en posición de cama adosada, el borde superior de la barra descendente debe estar a nivel o abajo del nivel superior del colchón de los adultos. El nivel del colchón del CO-SLEEPER® bassinet de Arm's Reach® debe quedar a un mínimo de 4 pulgadas por debajo del borde superior de la barra descendente. **NUNCA eleve el nivel del colchón del CO-SLEEPER® bassinet de Arm's Reach®.**
 - NUNCA use el CO-SLEEPER® bassinet de Arm's Reach® en posición de cama adosada sin la placa de anclaje fijada y bloqueada según se indica. El incumplimiento de usar este sistema de anclaje puede causar lesiones graves o la muerte al bebé. Cerciórese de que todas las correas estén fijas y apretadas. Inspeccione las correas antes de cada uso.
 - El incumplimiento de usar este sistema de seguridad permitirá al CO-SLEEPER® bassinet de Arm's Reach® de cama adosada separarse de la cama de los adultos y podría provocar que el bebé se caiga del CO-SLEEPER® bassinet. Para evitar lesiones graves o fatales por caídas, mantenga siempre al bebé al alcance de sus manos.
 - RIESGO DE ESTRANGULACIÓN: Cuando la placa de anclaje y el conjunto de la correa no estén en uso, guárdelos en un sitio seguro que sea inaccesible para los niños.
 - NO coloque el producto cerca de una ventana donde los cordones de las persianas o cortinas puedan causar el estrangulamiento de un niño.
 - Mantenga el Co-Sleeper® bassinet lejos de estufas, calefactores, fogatas y otros peligros.
 - NO deje que los niños trepen ni jueguen encima o debajo de la unidad en ninguna configuración.
 - **¡IMPORTANTE!** Antes del ensamblaje y periódicamente durante el uso, inspeccione este producto para determinar que no haya herrajes dañados, juntas sueltas, piezas faltantes ni bordes filosos.
 - NO use este producto si falta, está roto o dañado alguno de los componentes. Si es necesario, comuníquese con Arm's Reach Concepts, Inc. para obtener piezas de repuesto e instrucciones. Nunca sustituya las piezas.
 - RIESGO DE CAÍDAS: Antes de realizar conversión alguna retire al bebé del Co-Sleeper® bassinet de Arm's Reach® de cama adosada.
 - Siempre cerciórese de que los rieles superior e inferior estén debidamente sujetados, en todas las configuraciones, antes de colocar al bebé en la unidad.
- STE ARTÍCULO CUMPLE TODOS LOS REQUISITOS DE INFLAMABILIDAD ESTIPULADOS EN LOS BOLETINES TÉCNICOS 116 Y 117 DEL CALIFORNIA BUREAU OF HOME FURNISHINGS. SE DEBE TENER CUIDADO AL USAR EL PRODUCTO CERCA DE LLAMAS O CERCA DE CIGARRILLOS ENCENDIDOS.

Lista de piezas



Sujeción de la canasta de almacenamiento y la cesta para dormir al tubo-ver la página 22

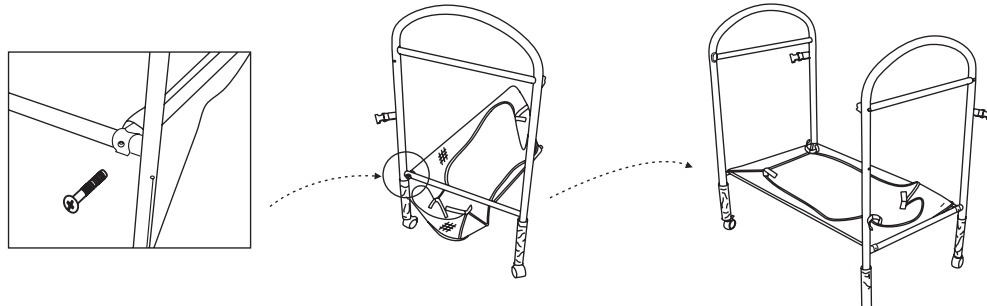
- A. Riel lateral izquierdo 1 pieza
- B. Riel lateral derecho 2 piezas
- C. Riel trasero 1 pieza
- D. Riel estacionario 1 pieza
- E. Riel desmontable 1 pieza
- F. Riel de canasta de almacenamiento 2 piezas
- G. Canasta de almacenamiento 1 pieza
- H. Cesta de dormir 1 pieza
- I. Cubierta de asidero 2 piezas (sólo Stratford)
- J. Correas Velcro® para fijar la canasta de almacenamiento a la cesta de dormir 4 piezas
- K. Conector de correa hembra para la placa de anclaje 2 piezas
- L. Bucle para placa de anclaje 2 piezas
- M. Bucle para correas de Velcro® de la canasta de almacenamiento 4 piezas
- N. Correas de Velcro® para fijar las solapas 8 piezas
- O. Cremallera 2 piezas (para Bel Air, Angelica y Santa Barbara)

Cómo instalar el CO-SLEEPER® bassinet de cama adosada

⚠ ADVERTENCIA: El incumplimiento de estas instrucciones de advertencia puede resultar en lesiones graves o la muerte.

Paso 1

Fije la canasta de almacenamiento (G) al riel lateral con los 4 tornillos suministrados.



Paso 2

Para el modelo Stratford

Coloque la cesta de dormir (H) entre los rieles laterales (A y B).

Fije las dos correas Velcro® (N) debajo de la solapa superior Velcro® alrededor del riel corto y después cubra el riel corto con la solapa superior Velcro® según se muestra en la figura 1, sujetando el Velcro® completamente. Enganche los dos remaches para fijar en posición la solapa superior Velcro®. Repita el mismo procedimiento para el otro lado corto.

Alinee el riel trasero (C) con los rieles izquierdo y lateral (A y B), inserte los tornillos en los orificios en el extremo del riel trasero y enrósquelos. Repita el mismo proceso para el otro extremo del riel trasero. Apriete todos los tornillos.

Para los modelos Angelica, Bel Air y Santa Barbara

Coloque la cesta de dormir (H) entre los rieles laterales (A y B). Fije las dos correas Velcro® (N) y después cierre la cremallera sobre el riel corto según se muestra en la figura 2. Repita el mismo procedimiento para el otro lado corto.

Alinee el riel trasero (C) con los rieles izquierdo y lateral (A y B), inserte los tornillos en los orificios en el extremo del riel trasero y enrósquelos. Repita el mismo proceso para el otro extremo del riel trasero. Apriete todos los tornillos.

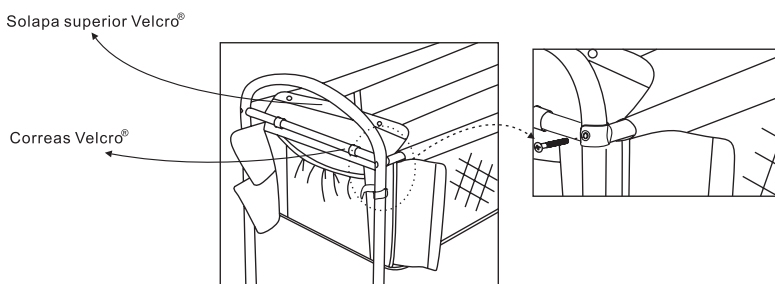


Figura 1

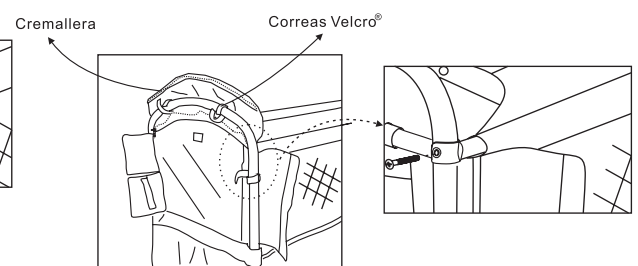
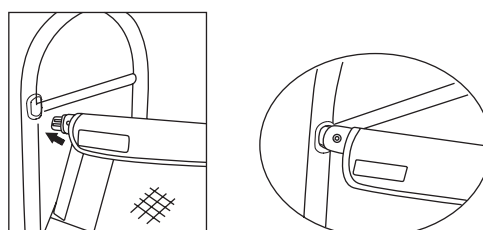


Figura 2

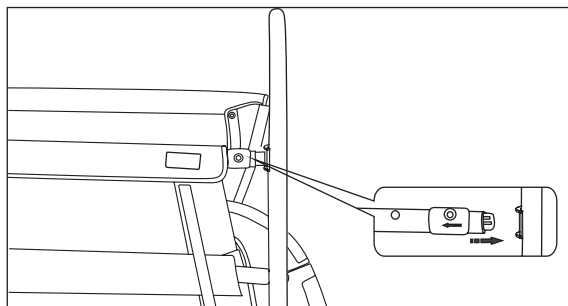
Paso 3

Introduzca el lado izquierdo del riel frontal desmontable (E) (el lado que se acopla a la cama de los adultos) en el receptáculo hembra ubicado en el riel lateral.



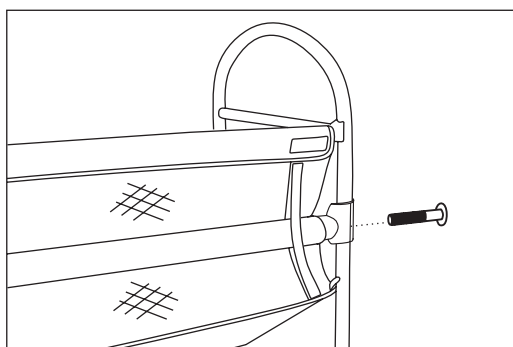
Cómo instalar el CO-SLEEPER® bassinet de cama adosada

Para introducir el lado derecho del riel desmontable frontal, deslice el cierre con resorte hacia atrás y a la izquierda e introdúzcalo en el receptáculo derecho.



Paso 4

Alinee el riel estacionario frontal (D) con los rieles izquierdo (A y B) y derecho y después acóplelos con los tornillos. De la misma manera que en el Paso 2.



Paso 5

Fije primero la correa lateral Velcro® y después, de frente al extremo corto, fije las solapas Velcro®, corta y larga, sujetando el Velcro® a los paneles laterales. Repita el mismo procedimiento para el otro lado corto.

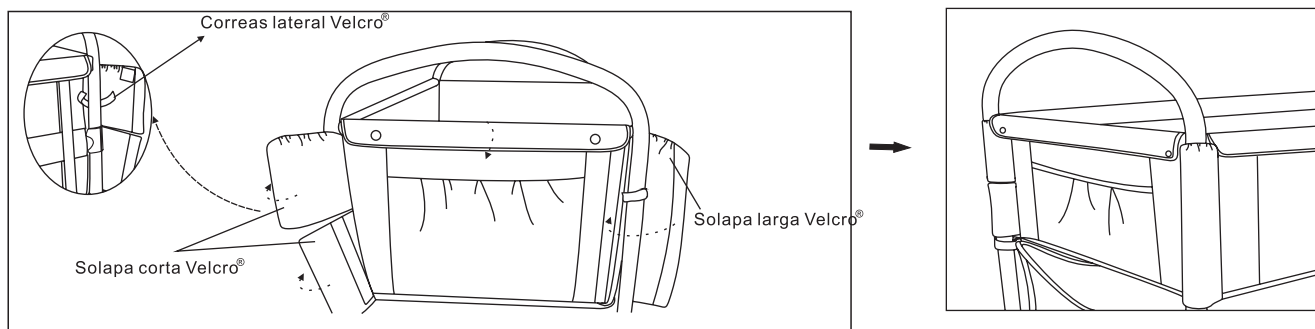


Figura1 (Stratford)

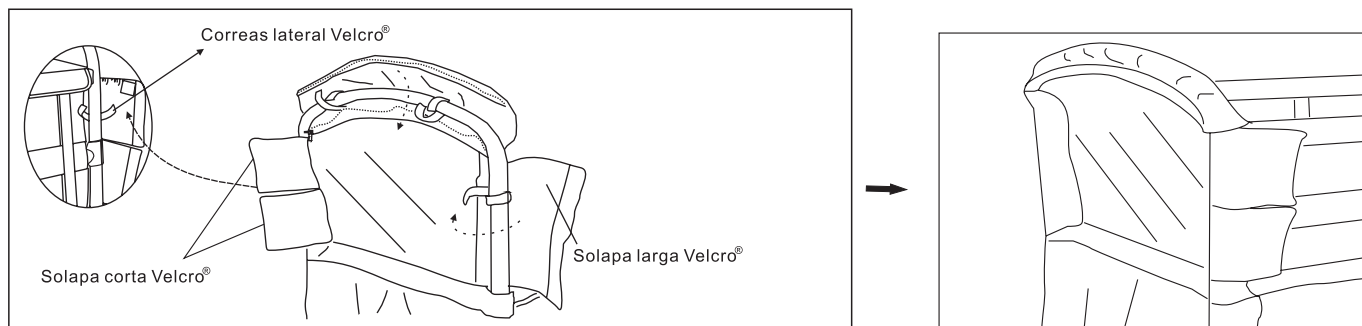
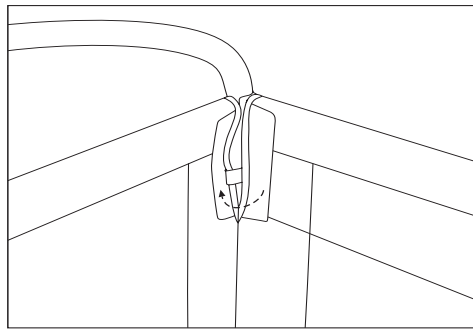


Figura 2 (Angelica, Bel Air y Santa Barbara)

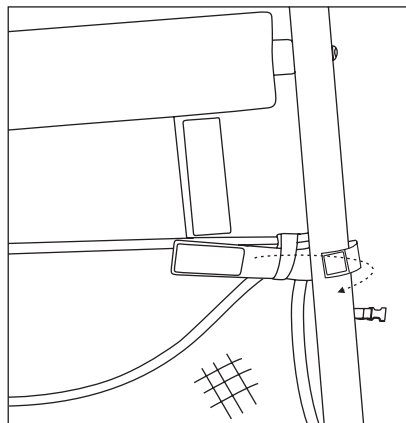
Cómo instalar el CO-SLEEPER® bassinet de cama adosada

Sujete el Velcro® en el interior del riel desmontable.



Paso 6

Pase el correas Velcro® desde la canasta de almacenamiento a través del bucle (J) en la parte inferior de la cesta de dormir y fíjelo en cada pata.



Para el modelo Stratford, coloque las cubiertas de asidero en los asideros de riel según se muestra en la figura 1. La unidad se encuentra ahora en posición de cuna independiente. Ver las figuras 1 y 2

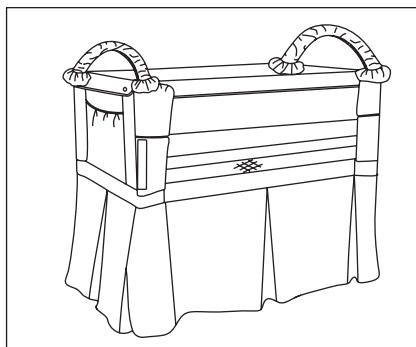


Figura1 (Stratford)

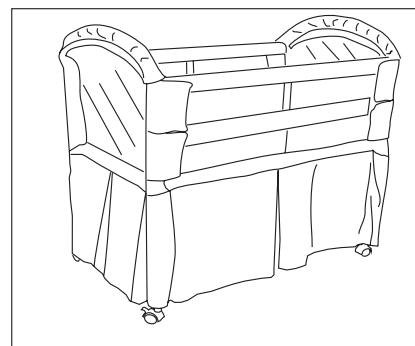


Figura 2 (Angelica, Bel Air y Santa Barbara)

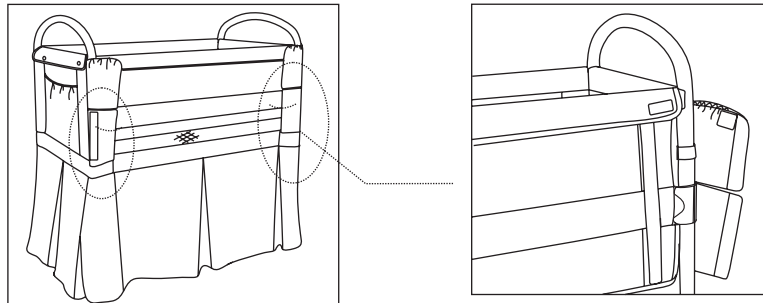
⚠ ADVERTENCIA : Cerciúrese de que todas las correas Velcro® estén fijas y apretadas. Inspeccione periódicamente la unidad para cerciorarse de que Todas las Correas Velcro® y los tornillos estén apretados firmemente.

Para colocar la unidad en posición de cuna adosable

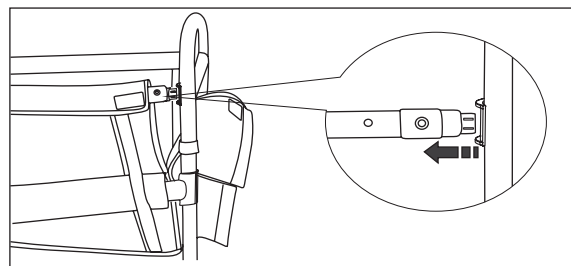
⚠ RIESGO DE CAÍDAS: Antes de realizar conversión alguna retire al bebé del CO-SLEEPER® bassinet de Arm's Reach® como cama adosada.

Paso 1

Abra el Velcro® en dos solapas cortas.
Repita el paso anterior en el otro lado.

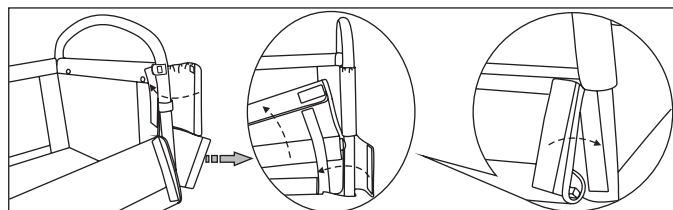


Tire de la tela hacia atrás en el riel desmontable (E) para descubrir el cierre de resorte. Deslice el cierre de resorte y aléjelo del receptor plástico según se muestra y deje caer el riel desmontable.



Paso 2

Jale las dos solapas cortas y una el Velcro® en ambos lados. Una la solapa corta superior con el receptor hembra plástico en ambos rieles laterales.



Para el modelo Stratford, coloque las cubiertas de asidero en los asideros de riel según se muestra en la figura 1. La unidad se encuentra ahora en posición de cuna adosable. Ver las figuras 1 y 2

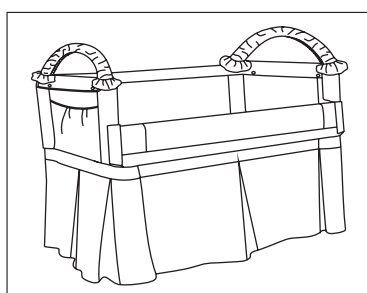


Figura1 (Stratford)

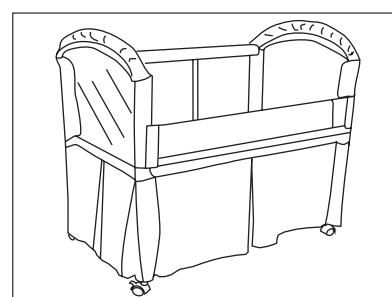


Figura 2 (Angelica, Bel Air y Santa Barbara)

Para adosar la unidad Co-Sleeper® a la cama de los adultos

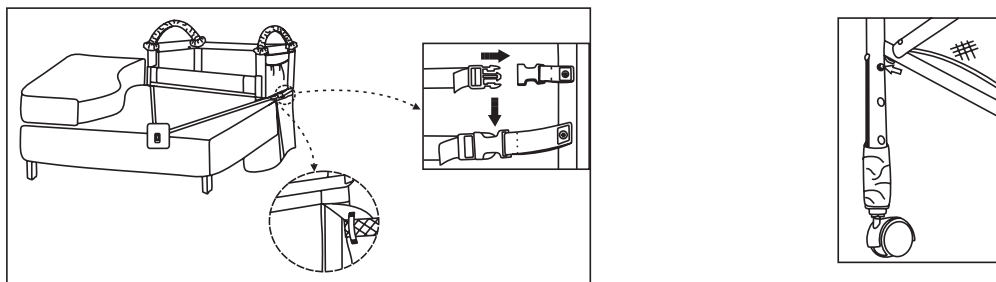
Cuando use la unidad como CO-SLEEPER® bassinet de cama adosada, el borde superior del riel estacionario (D) debe estar a nivel o debajo del nivel superior del colchón de los adultos.

A fin de elevar el CO-SLEEPER® bassinet de Arm's Reach® como cama adosada, mida primero la cama los adultos desde el piso hasta la parte superior del colchón. Si la cama de los adultos es más alta que 24" será necesario elevar el CO-SLEEPER® bassinet de cama adosada.

Coloque el CO-SLEEPER® bassinet de cama adosada sobre un costado. En la parte inferior de las patas, localice el mecanismo de ajuste de las patas. Deslice la manga de tela hacia la rueda para exponer el botón pulsador. Presione el botón y tire de la pata hasta la altura deseada de la cama (26", 28" ó 30"). Repita este rocedimiento para las cuatro patas.

Para fijar su CO-SLEEPER® a la cama de los adultos, desenrolle la correa de seguridad de la placa de anclaje plástica y coloque las correas a través de la cama de los adultos de manera que queden alineadas con el centro de la posición deseada. Las correas deberán ahora colocarse entre la base de la cama y el colchón. Esto se puede efectuar deslizando las correas con un movimiento de "aserrado" a la vez que se tira de las mismas hacia abajo hasta que las correas y la placa de anclaje de resistencia estén en la posición deseada. Deberá salir una correa a cada lado del CO-SLEEPER® bassinet de cama adosada. La correa de la placa del ancla del hilo de rosca a través del lazo encontró encendido dentro de la falda. Conecte en la hebilla femenina (K) en la pierna posterior de la cuna Co-Sleeper®.

Tire del exceso de holgura de correa, a manera de apretar el CO-SLEEPER® bassinet de cama adosada contra la cama de los adultos. Repita el procedimiento para el otro lado. Recoja el exceso de correa y empújelo entre los colchones de los adultos.



⚠ ADVERTENCIA : RIESGO DE ESTRANGULAMIENTO/ASFIXIA:

Cuando use la unidad como CO-SLEEPER® bassinet de cama adosada, el borde superior del riel estacionario debe estar a nivel o debajo del nivel superior del colchón de los adultos. El nivel del colchón del CO-SLEEPER® bassinet de Arm's Reach® como cama adosada debe quedar a un mínimo de 4 pulgadas por debajo del borde superior del riel estacionario. NUNCA eleve el nivel del colchón del CO-SLEEPER® bassinet de Arm's Reach® como cama adosada hasta el nivel del borde superior del riel estacionario ni más arriba del mismo.

⚠ ADVERTENCIA : NUNCA USE un CO-SLEEPER® bassinet de Arm's Reach® como cama adosada en la posición de cuna adosable sin la placa de anclaje acoplada y sujeta de la manera que se muestra. El incumplimiento de usar este sistema de anclaje puede causar lesiones graves o la muerte al bebé. Cerciórese de que todas las correas estén fijas y apretadas. Inspeccione las correas antes de cada uso.

⚠ ADVERTENCIA: El incumplimiento de usar este sistema de sujeción permitirá que el CO-SLEEPER® se separe de la cama de los adultos y eso podría provocar que el bebé se caiga del CO-SLEEPER® bassinet de Arm's Reach® como cama adosada. NUNCA deje desatendido al bebé en el CO-SLEEPER® bassinet de Arm's Reach® como cama adosada.

⚠️ ADVERTENCIA: RIESGO DE ESTRANGULAMIENTO/ASFIXIA

No permita que el exceso de correa (o cualquier otro objeto suelto) se deposite en el CO-SLEEPER® bassinets de Arm's Reach® como cama adosada. No permita que el exceso de correa quede suelto en el piso porque alguien puede tropezarse en ella.

⚠️ ADVERTENCIA: Cerciórese de que todas las correas Velcro® estén fijadas y apretadas. Inspeccione periódicamente la unidad para cerciorarse de que todas las correas Velcro® y los tornillos estén apretados firmemente.

⚠️ ADVERTENCIA: Cerciórese de que el botón pulsador en la extensión de pata esté fijo en posición para obtener la altura de cama adecuada.

Limpieza:

Colchón: Límpielo con un paño húmedo. Déjelo que seque al aire. No lo lave en la máquina ni use una plancha caliente.

sábana del colchón: lávelo a máquina, con agua tibia. no use lejía. seque solamente con aire. sin calor.

forro: se puede lavar en máquina en la opción con agua tibia y con el ciclo para ropa delicada. No use lejía. Escúrralo para que seque.

bastidor metálico: limpie con un paño suave y húmedo. déjelo que seque al aire.

Mantenimiento:

Inspeccione regularmente los tornillos y los cierres de resorte para cerciorarse de que estén fijamente en posición.

Limpie la superficie con un paño húmedo o esponja con agua y detergente suave.

Co-Sleeper^{®brand}
bedside bassinet
by **Arm's Reach**[®]

If you have any questions – call or write Arm's Reach Concepts, Inc.
2081 N Oxnard Blvd., PMB#187, Oxnard, CA 93036-2964
(800) 954-9353 fax: 805-604-7982 www.armsreach.com
Hours: 9:00 A.M. - 4:00 P.M. Pacific Time