
Read all instructions BEFORE assembly and USE of this product.
KEEP INSTRUCTIONS FOR FUTURE USE.



Sleep better • Sleep closer • Sleep safer™

The Ideal Co-Sleeper® Ezee™ 3 in 1

Bedside Sleeper • Free-Standing Bassinet • Play Yard
by Arm's Reach®

⚠ WARNING: Failure to follow these warnings and instructions could result in serious injury or death.

⚠ AVERTISSEMENT: Le non-respect de ces instructions et de ces avertissements peut causer des blessures graves, voire mortelles.

⚠ ADVERTENCIA: El incumplimiento de estas advertencias e instrucciones puede resultar en lesiones graves o la muerte.

INSTRUCTION MANUAL MANUEL D'INSTRUCTION • EL MANUEL DE LA INSTRUCCION

- Setting up a basic playard
- Attaching to parental bed
- Converting to a free-standing unit

KEEP THIS BOOKLET HANDY FOR FUTURE REFERENCE
GARDER CE PETIT LIVRE POUR GUIDE FUTUR
CONSERVE ESTA LIBRO PARA FUTURAS REFERENCIAS

Read all instructions BEFORE assembly and USE of this product.

⚠️ WARNING: Failure to follow these warnings and the instructions could result in serious injury or death.

SUFFOCATION HAZARD. Discard all packing materials immediately after opening. Plastic bags and ties may cause suffocation or choking.

BASSINET WARNINGS

- **FALL HAZARD** - To help prevent falls, do not use this product when infant begins to push up on hands and knees or has reached manufacturer's recommended maximum weight of 18 lbs, whichever comes first.

• SUFFOCATION HAZARD

Infants have suffocated:

- In gaps between extra padding and side of bassinet/cribble, and
- On soft bedding
- Use only the pad provided by manufacturer. NEVER add a pillow, comforter or another mattress for padding.
- If a sheet is used with the pad, use only the one provided by Arm's Reach.
- To reduce the risk of SIDS, pediatricians recommend healthy infants be placed on their backs to sleep, unless otherwise advised by your physician.

BEDSIDE SLEEPER WARNINGS

- A bedside sleeper is designed to provide a sleeping area for an infant until he or she begins to push up on hands and knees or approximately 5 months of age. Move your child to another sleeping product when your child reaches this stage.
- **Entrapment Hazard**—To prevent death from entrapment, bedside sleeper must be properly secured to adult bed using the attachment system.
- **WARNING: STRANGULATION HAZARD** : When anchor plate and strap assembly is not in use, store in a safe place not accessible to children.
 - There must be no more than 1/2 in. (13 mm) gap between bedside sleeper and adult bed.
 - Check tightness before each use by pulling bedside sleeper in a direction away from adult bed.
 - If gap exceeds 1/2 in. (13 mm), DO NOT use product. Do not fill the gap with pillows, blankets or other items that are suffocation hazards.
- Always read and follow assembly instructions for each product use mode (bedside sleeper, bassinet, play yard).
- Always use ALL required parts for each use mode. Check instruction manual for a list of required parts. Periodically check product for loose, damaged, or missing parts.
- The anchor plate and straps assembly must always be used in bedside sleeper mode.
- Never use this product if there are any loose or missing fasteners, loose joints, broken parts, or torn mesh/fabric. Check before assembly and periodically during use. Contact Arm's Reach® Concepts, Inc. for replacement parts. Never substitute parts.

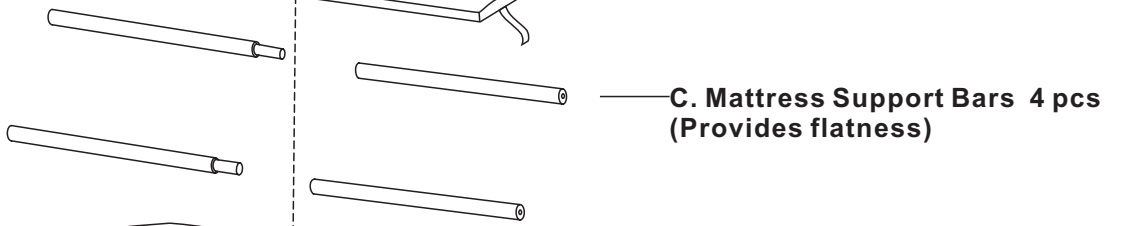
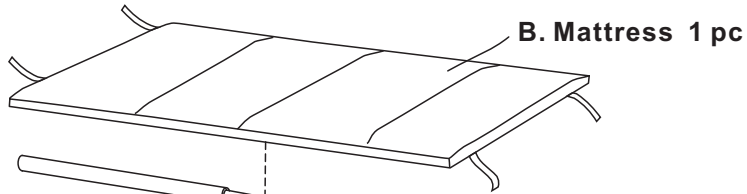
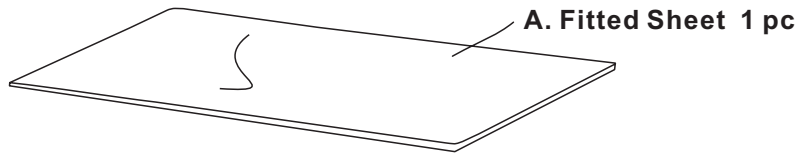
- Assemble product according to manufacturer's instructions for ANY use mode—bedside sleeper as well as the bassinet or play yard modes, or both.
- To avoid death from the infant's neck being caught on the top rail on the side that is next to the adult bed, the top rail must be no higher than the adult bed mattress.
- Never permit bedding from the adult bed to extend into the Bedside Sleeper.

PLAY YARD POSITION WARNINGS

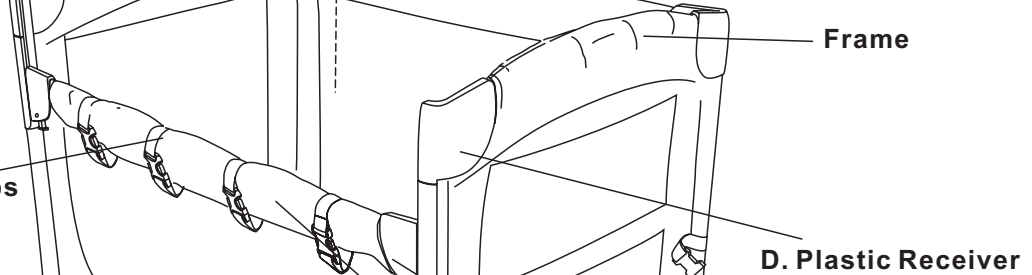
- **Infants can suffocate**
 - In gaps between a mattress too small or too thick and product sides.
 - On soft bedding.
- NEVER add a mattress, pillow, comforter, or padding.
- Use ONLY mattress/pad provided by Arm's Reach® Concepts, Inc.
- The product, including side rails, must be fully erected prior to use.
- Top support member must be installed prior to use. Failure to install may result in child falling out of the product.
- Strings can cause strangulation! Never place items with a string around a child's neck such as hood strings or pacifier cords. Never suspend strings over product or attach string to toys.
- Discontinue use of the product when child is able to climb out or reaches the height of 35 in. (890mm).
- Child can become entrapped and die when improvised netting or covers are placed on top of product. Never add such items to confine child in product.
- When child is able to pull to standing position, set mattress/base to lowest adjustment position and remove bumper pads, large toys, and other objects that could serve as steps for climbing out.
- Never place product near a window where cords from blinds or drapes can strangle a child.
- Always provide the supervision necessary for the continued safety of your child. When used for playing, never leave child unattended.
- To reduce the risk of SIDS, pediatricians recommend healthy infants be placed on their backs to sleep, unless otherwise advised by your physician.
- Never use this product if there are any loose or missing fasteners, loose joints, broken parts, or torn mesh/fabric. Check before assembly and periodically during use. Contact Arm's Reach® Concepts, Inc. for replacement parts. Never substitute parts.
- NEVER leave child in product with side lowered. Be sure side is in raised and locked position whenever child is in product.
- NEVER use plastic shipping bags or other plastic film as mattress covers not sold and intended for that purpose. They can cause suffocation.
- NEVER use a water mattress with this product.
- If refinishing, use a nontoxic finish specified for children's products.
- **FALLING HAZARD:** Remove infant from this product before starting any conversion.
- Never use more than 3- 2" (5cm) extensions with this product to match the height of the adult bed mattress. Do not use leg extensions when the product is NOT attached to the adult bed.

- NEVER leave child in this product without TOP HORIZONTAL RAIL installed in the uppermost position, unless the product is in bedside bassinet configuration with the lowered rail at the same level or lower than adult mattress and the parent/caregiver is in the adult bed. The product must be secured tightly to the adult bed with the strap and anchor plate provided.
- STRANGULATION/SUFFOCATION HAZARD: The top edge of the lowering rail must be level with or below the top of the adult mattress when used in the bedside bassinet mode. The level of this product mattress must be a minimum of 4 inches below the top edge of the lowering rail. Never raise the product's mattress to be level with, or above the top of the lowered rail.
- NEVER USE the product in bedside bassinet mode without the anchor plate attached and locked as shown on page 9 and label inside product pocket's. Failure to use this anchoring system could result in serious injury or death to the infant. Make sure all straps are secured and tight against adult bed mattress. Check straps before each use.
- Failure to use this securing system against adult bed mattress will allow the product to move away from adult bed and could result in infant falling out of the product. NEVER leave infant unattended in this product.
- To prevent serious or fatal injury from falls always, keep child within arm's reach. Never leave your child unattended.
- Maximum weight capacity for each pocket is 4 lbs. (2 kgs). Do not overfill.
- Do Not remove warning labels.

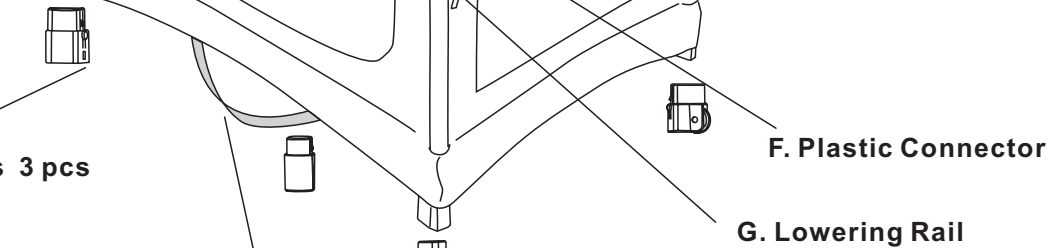
Parts List



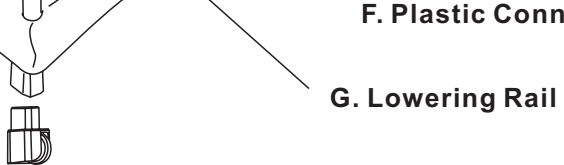
E. Mattress Support-straps
(Prevents Sagging)



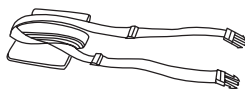
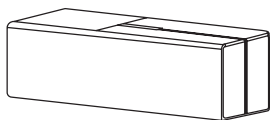
J. 2 Inch Leg Increments 3 pcs



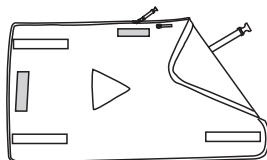
H. Foot strap



K. Wheels 2 pcs

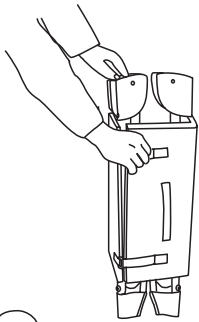


M. Anchor Plate and Strap 1 pc



I. Removable sleeping nest bottom 1 pc

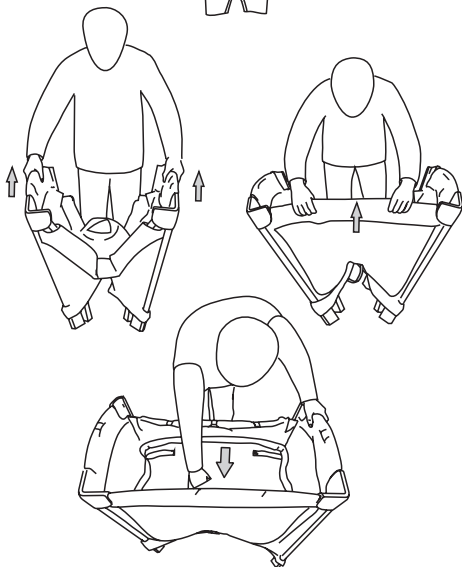
How to set up the Arm's Reach® Co-Sleeper® bedside bassinet



⚠ WARNING: Failure to follow these warnings and instructions could result in serious injury or death.

Step 1

Remove product from the carry bag (L).
Undo the Velcro® straps of mattress (B).
Set mattress aside.



Step 2

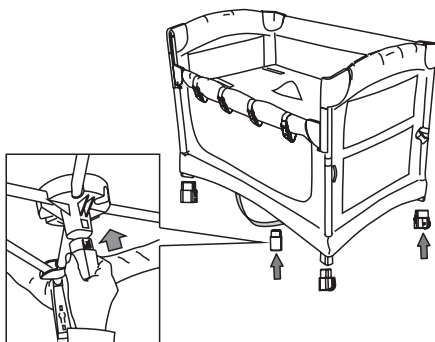
Lock all top rails in place by pulling up on the center of each rail.

They should be rigid when they are all locked.

Note: Center of floor MUST be raised for top rails to lock.

Step 3

Push down the center of floor through the hole on zippered removable sleeping nest bottom (I), allowing bassinet to spread out and lock. Check that top rails are securely locked in position until you hear it click into place and push down gently.



Step 4

Install the wheels and leg increments as figure shown.

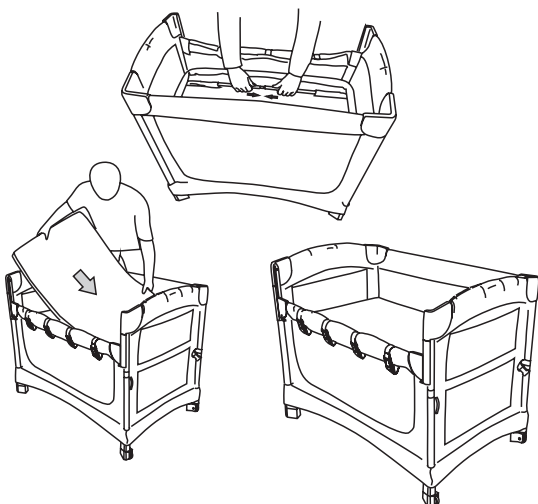
Note: Do not forget to install the leg increment of the middle leg.

Step 5

Install Mattress Support Bars (C) in fabric tunnels on the nest floor. Place sheet (A) on mattress (B) and lay mattress into sleeping nest.

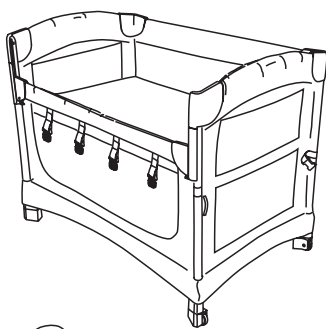
The sheet (A) and sleeping nest bottom have Velcro® tabs underneath that align for added security.

It is in Co-Sleeping position now. Go to page 9 to attach the bedside bassinet to adult bed.



⚠ WARNING: SUFFOCATION HAZARD - To help prevent suffocation and entrapment, use **ONLY** the mattress pad provided by Arm's Reach Concepts, Inc. **NEVER** use additional padding or mattress. **DO NOT** use shipping or other bags as mattress covers since they can cause suffocation.

How to set up as freestanding bassinet



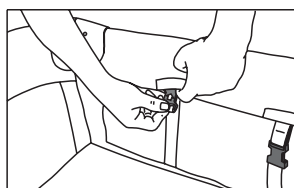
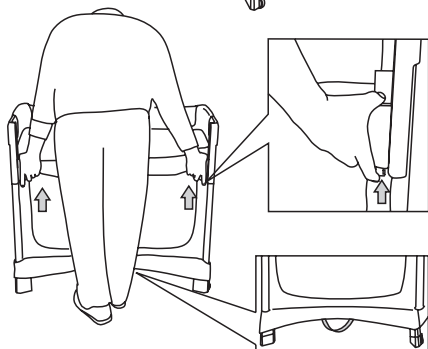
⚠ FALLING HAZARD: Remove infant from this product before starting any conversions.

Step 1

Release 4 mattress support-straps (E) that go over the lowering rail.

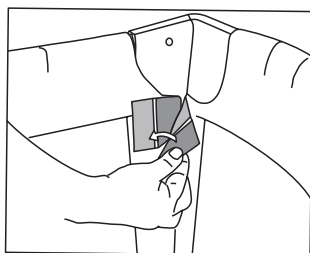
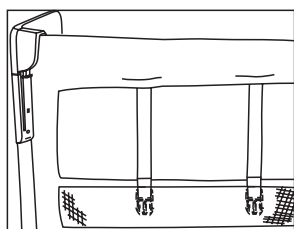
Insert foot into the red foot strap under the center of front bottom, find the locking button under the plastic connectors (F) on the left and right sides, press them upward to unlock and slide the lowering rail (G) upward until you hear a "click" and they are locked in place automatically.

Note: The left and right side plastic connector pieces must be slide upward at the same time, so that the lowering rail (G) can be raised smoothly.

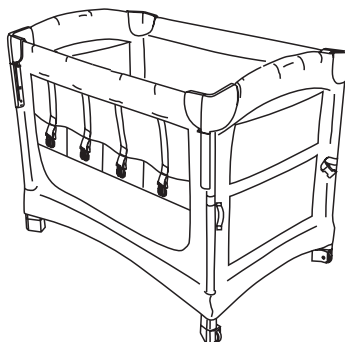


Step 2

Insert the buckles of the mattress support-straps (E) into hidden pockets.

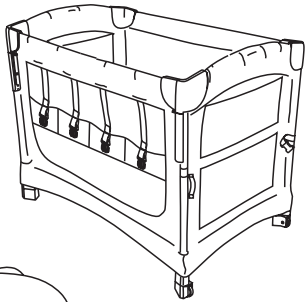


Attach the Velcro[®] on the inside of the lowering rail as picture.



It is in freestanding bassinet now.

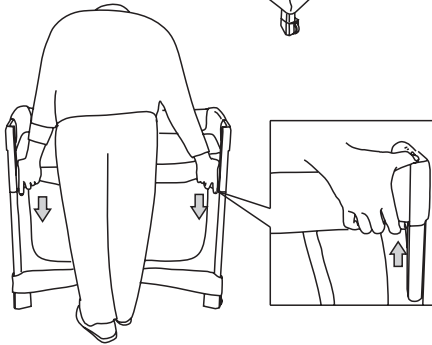
How to convert to the co-sleeping position from the freestanding bassinet



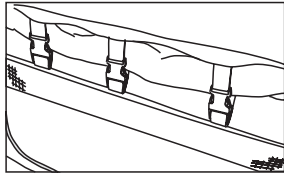
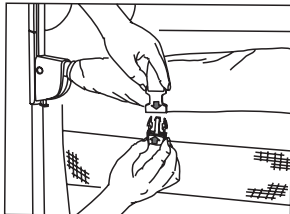
⚠ FALLING HAZARD: Remove infant from this product before starting any conversions.

Step 1

Find the locking button under the plastic connectors on the left and right sides, press them upward to unlock and slide down the top bar until you hear a "click" and they are locked in place automatically.



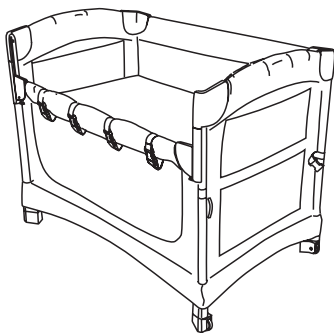
Note: The left and right side plastic connector pieces must be slid down at the same time, so that the top rail can be lowered smoothly.



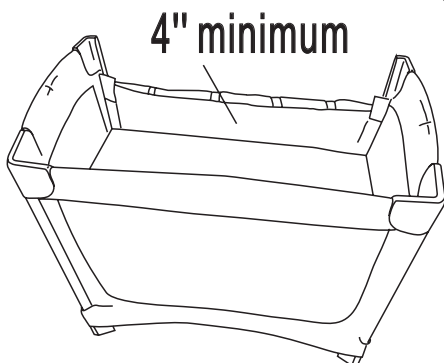
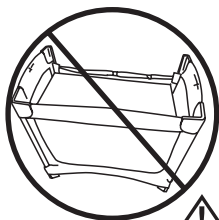
Step 2

Pull out buckles of mattress support-straps (E) from the pockets. Pull strap up and over lowering rail (G) and connect on front of lowering rail (G).

⚠ WARNING: THIS STEP PREVENTS THE MATTRESS FROM SAGGING. Make sure the 4 buckle-straps are connected over the lowered rail, so the mattress support floor can be taut and even.

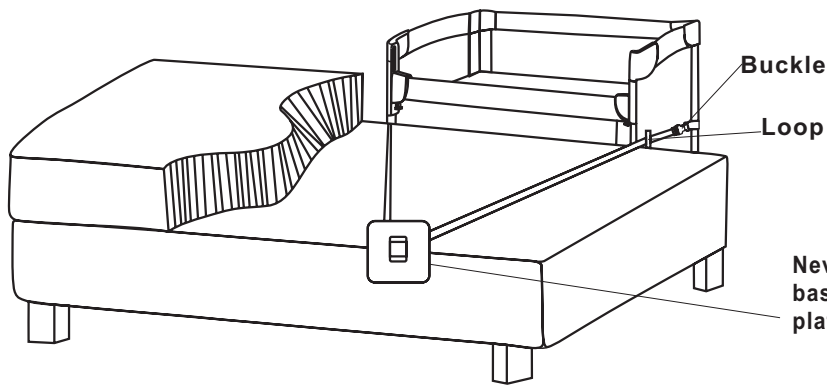


It is now in Co-Sleeping position.



⚠ WARNING: STRANGULATION/SUFFOCATION HAZARD: The top edge of the lowering rail must be level with or below the top of the adult mattress when used in the bedside bassinet mode. The level of this product mattress must be a minimum of 4 inches below the top edge of the lowering rail. Never raise the product's mattress to be level with, or above the top of the lowered rail.

How to attach the Arm's Reach® Co-Sleeper® bedside bassinet to adult bed



Never use the Arm's Reach® Co-Sleeper® bedside bassinet in co-sleeping position without the anchor plate and securely attached to the adult bed.

The top edge of the LOWERING RAIL when used in co-sleeping position must be level with or below the top of adult mattress.

Measure adult bed from floor to top of mattress. If measurement is more than 24", a leg extension kit will be needed to ensure proper height and maintain safety. 1 Leg Extension Kit will raise the Co-Sleeper® up to 6 additional inches in 2" increments accommodating beds 26", 28" and 30". NEVER use more than 1 extension kit. Do not use leg extensions when the product is NOT attached to the adult bed.

Slide the anchor plate and straps under the mattress, placing the anchor plate flush against the mattress on the opposite side from this product.

Connect both straps to each short side of the bassinet by passing the male buckle through the "belt loop" at the front leg of the product and then connect the buckle to rear leg.

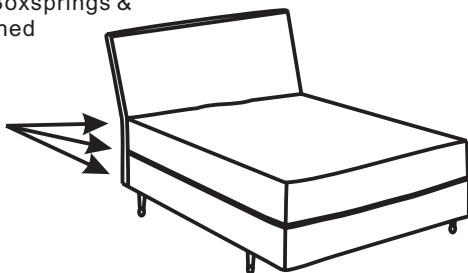
Make both straps as tight as possible against the parental bed, so tight it creates a slight indentation in mattress. To test if the product is tightly secured to adult bed, push it with hands to make sure the gap is no more than ½" (13mm). If more than ½" (13mm), readjust strap to pull tighter.

When bassinet is tight and ready to use, roll the excess strap up and secure it with elastic loop.

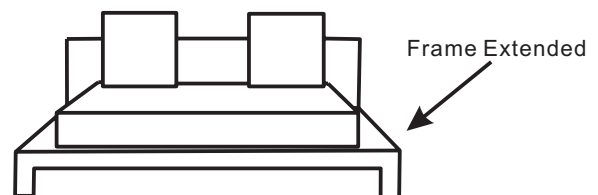
Always tighten straps before each use.

It is recommended to make the strap shorter than the width of the mattress to ensure the Co-Sleeper® is pressed securely against the parental bed, without any gaps.

Mattress, Boxsprings & Frame aligned



ACCEPTABLE BED FRAME IN-LINE



UNACCEPTABLE BED, MATTRESS, BOXSPRING & FRAME NOT IN-LINE

⚠️ WARNING: NEVER USE the product in bedside bassinet mode without the anchor plate and strap (M) attached to the adult bed. Failure to use this anchor plate and strap could result in serious injury or death to the infant. Make sure all anchor straps are secured and tight. Check straps before each use.

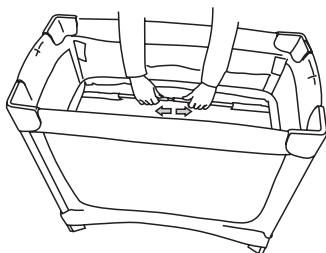
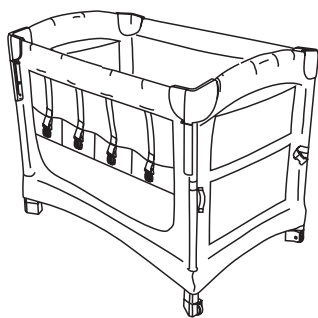
⚠️ WARNING: Failure to use this securing system will allow the product to move away from the adult bed and could result in infant falling out of the product. NEVER leave infant unattended in this product.

⚠️ WARNING : STRANGULATION/ CHOKING HAZARD

DO not allow excess strap (or any other loose object) to find it's way into this product. Do Not allow excess strap to lay loose on floor because someone may trip over it.

How to convert to the play yard from the freestanding bassinet

⚠ FALLING HAZARD: Remove infant from this product before starting any conversions.

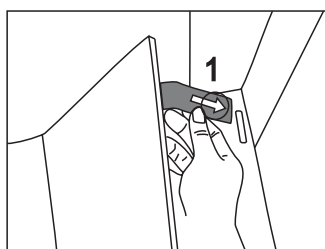
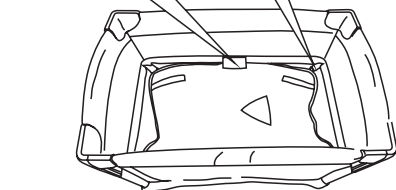


Step 1

Remove the mattress with sheet and mattress support bar from the freestanding bassinet.

Step 2

Remove the sleeping nest bottom by releasing the small buckle at the end of zipper pull, the zipper around and the buckles on the back of the sleeping nest.

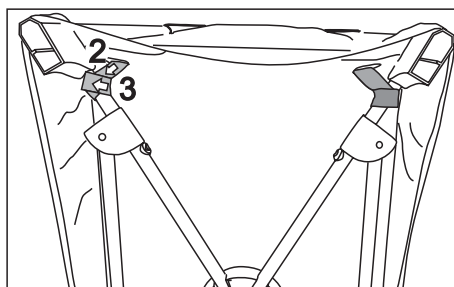


Step 3

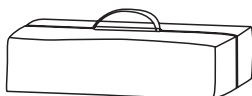
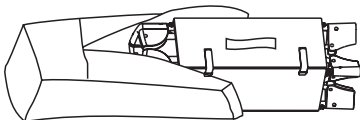
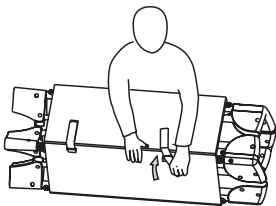
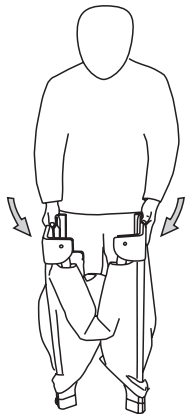
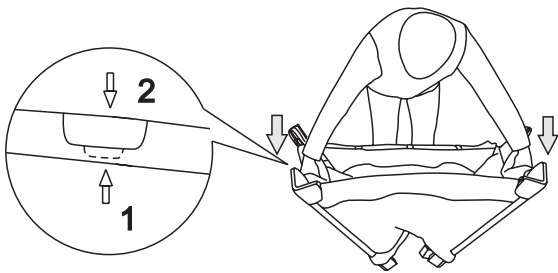
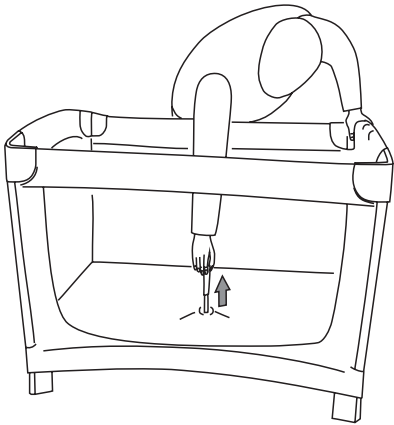
Cover mattress with fitted sheet, feeding Velcro® tabs found on corner ends of mattress thru buttonholes in sheet corners.

Place in bottom of play yard with Velcro® tabs extended.

Feed Velcro® tabs thru corresponding buttonholes in floor of play yard corners and secure Velcro® tabs around bottom tube as shown in drawing.



How to fold the play yard



⚠ STRANGULATION HAZARD: When anchor plate and strap assembly are not in use, store in a safe place not accessible to children.

Step 1

Remove mattress (B) and set aside.

Hold the webbing handle strap on the center of bottom and pull up.

Step 2

Unlock short top rails by raising center lock slightly, push on button of center locks and lower top rails. Repeat steps on top rails on long sides.

Step 3

Lift up the webbing handle strap of the bottom and push the corner posts together until the corner posts are straight up and down and top corner brackets contact each other.

Step 4

Remove sheet (A) off the mattress (B) and wrap the mattress around the unit. There are Velcro® straps that feed through plastic loops attached to the back side of the mattress. Pull taut. Store the sheet in the end of the unit.

Step 5

Put into carry bag (L) with the handle from the mattress (B) coming through the opening in the bag.

Cleaning and Maintaining

Spot clean with soft clean damp cloth.

Laundering fitted sheet: Machine wash on lukewarm setting and drip-dry. NO BLEACH.

Trouble shooting

Q. "Top rails can't be unlocked?"

- A. 1. Locate the floor-lock handle in center of the floor and lift it up as far as possible.
2. Lift top rails up to lock in place.

If you have any question or need further assistance, please call (800) 954-9353 (US Only) or (805) 278-2559.

For more trouble shooting visit our website at www.armsreach.com

Important Assembly Instruction

- A. All top rails **MUST** be straight and locked before using. Push the top rails downward to try out if they are locked.
- B. Do not push center floor down until all four top rails are locked.
- C. To fold in bassinet mode, reach through hole and pull up on floor lock.
- D. When the 2" short segments need to be used on product, make sure all five segments are assembled on, **DO NOT** miss the one for the center bottom leg.
- E. Remove your finger from the button when the male gliding receiver is unlocked already and start to glide. Keep pressing it at the top and bottom lock position will prevent the male receiver from locking into the place.

Visit our website www.armsreach.com for video tutorials under the Assembly Instructions link. You can also search You Tube for Arm's Reach® Co-Sleeper® for video tutorials.



Sleep better • Sleep closer • Sleep safer™

If you have any questions – call or write Arm's Reach Concepts, Inc.

2081 N Oxnard Blvd., PMB#187, Oxnard, CA 93036-2964

(800) 954-9353 (US Only) or (805)278-2559 fax: 805-604-7982

www.armsreach.com Hours: 9:00 A.M. - 4:00 P.M. Pacific Time

©2016 ARM'S REACH CONCEPTS INC. ARM'S REACH®, CO-SLEEPER®, and Mother & Child Logo are Trademarks of ARM'S REACH CONCEPTS INC. All rights reserved. Meet ASTM F2194, F2906, F406 requirements. Patented and patent pending. ARC 12-2016

©2016 ARM'S REACH CONCEPTS INC. ARM'S REACH®, CO-SLEEPER® et le logo de la mère avec l'enfant sont des marques commerciales de la société ARM'S REACH CONCEPTS INC. Tous droits réservés. Répondre aux normes ASTM F2194, F2906, F406 exigences. Breveté et brevet en instance. ARC 12-2016

©2016 ARM'S REACH CONCEPTS INC. ARM'S REACH®, CO-SLEEPER®, y el logotipo de la madre con su hijo son marcas comerciales de ARM'S REACH CONCEPTS INC. Reservados todos los derechos. Conocé ASTM F2194, F2906, F406 requisitos. Patentada y pendiente de patente. ARC 12-2016