

HOW TO CHOOSE THE PROPER LEG EXTENSION FOR YOUR Arc CO-SLEEPER® BASSINET:

This leg extensions kit is designed for the **Arc Co-Sleeper®** bassinet models only. Please check your Co-Sleeper® bassinet and make sure that it is **Arc Co-Sleeper®** bassinet model manufactured on or before 5/2016 (find this information on the MFG sticker located on the product leg) before ordering.

Leg extensions must only be used when the bassinet is attached to the adult bed. **DO NOT** use them when the product is in the bassinet or play yard mode.

PROPER USE OF THE Arc LEG EXTENSION KIT:

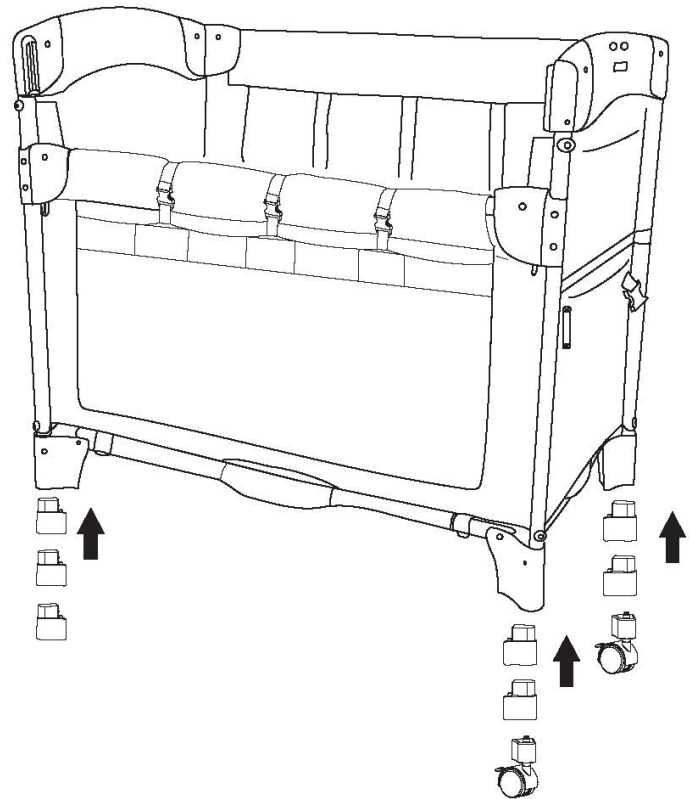
For the Mini Co-Sleeper® models, remove the two wheels from your bassinet. Insert the leg extensions into bassinet legs to reach the desired height. Reattach the two wheels.

For Ideal and Original models that do not have wheels, insert the leg extension into bassinet legs to reach the desired height.

The leg extensions raise the Co-Sleeper® bassinet in 2" increments from 24" to 30" (measured from the floor to the top of the adult bed). It is **NOT** recommended to raise the Co-Sleeper® more than 30", as the bassinet could become unstable. The lowered rail in the co-sleeping mode should be flush or lower than the top of the adult mattress.

Arc leg extensions are made specifically to fit the below Co-Sleeper® bassinet models. If your Co-Sleeper® bassinet name is not listed below, you will need the Ezee™ leg extensions.

The Original, The Ideal,
The Mini Classic, The Mini,
The Mini Arc, The Mini Euro,
The Mini Arc Euro,
The Mini Convertible and
The Mini Arc Convertible



If you have any questions, call or write Arm's Reach Concepts, Inc.
2081 N Oxnard Blvd., PMB#187, CA 93036-2964
(800) 954-9353 (US Only) or (805) 278-2559 fax: 805-604-7982
www.armsreach.com
Hours: 9:00 A.M. - 4:00 P.M. Pacific Time