

Chef'sChoice®

International

WafflePro® Taste/Texture Select®



WITH **Quad**®
BAKING SYSTEM

GB

F

Instructions & Recipes for **Model 830B/830B-SE**
Instructions et recettes pour le **modèle 830B/830B-SE**

IMPORTANT SAFEGUARDS

When using electrical appliances, basic safety precautions should always be followed including the following:

1. Read all instructions before using the WafflePro®.
2. Do not touch hot surfaces. Always use plastic handle on lid and do not touch stainless cover when hot.
3. To protect against fire, electric shock and injury to persons, do not immerse cord, plug or waffle maker in water or other liquid.
4. Close supervision is necessary when any appliance is used by or near children.
5. Before use, unwind the power cord completely and keep the cord away from the hot parts of the appliance.
6. Do not let power cord hang over edge of table or counter or touch hot surfaces.
7. Do not place on or near hot gas or electric burner or in a heated oven.
8. Extreme caution must be used when moving an appliance containing hot oil or other hot liquids.
9. Only operate the waffle maker on a dry, flat, non-slip surface.
10. Do not use WafflePro® outdoors.
11. Do not operate the WafflePro® with a damaged cord or plug. If it malfunctions or has been damaged in any manner, return WafflePro® to the EdgeCraft Corporation Service Department for examination, repair or adjustment.
12. The use of accessory attachments not recommended by the EdgeCraft Corporation may result in fire, electric shock or injury to persons.
13. Always unplug the waffle maker from electrical outlet when not in use and before cleaning to avoid accidental electrical shock. Allow to cool before cleaning.
14. As long as the appliance is hot, even if unplugged, there is the danger of someone getting burned. Do not touch hot surfaces and do not put it into storage while hot.
15. Do not use the WafflePro for other than intended use.
16. For use only on 120V 60HZ power. Use a socket with a good ground connection.
17. For household use only.

18. **SAVE THESE INSTRUCTIONS.**

YOU MADE A GOOD CHOICE

The WafflePro® Taste/Texture Select® Model 830B/830B-SE comes to you from Chef'sChoice®, the maker of the world's finest professional household gourmet products. The WafflePro® brings to the home features found only in commercial waffle makers. Its unique Quad® Baking System allows you to select that "just right" texture and taste. A highly versatile waffle maker, WafflePro® allows you to bake rapidly for a crisp golden brown exterior while retaining a moist interior, like crusty bread hot from the oven. Or, with the flick of a switch, WafflePro® makes a crunchy waffle with a uniform texture throughout.

Remember when waffles were only for the weekends, when Mom and Dad had more time? The WafflePro® puts waffles back on the menu everyday! It heats up while the coffee is being brewed and your first waffle is ready when your coffee is poured. And because the WafflePro® heats so rapidly, you'll be making waffles just about as fast as they can be eaten.

Imagine waffles with the natural aroma and taste of freshly baked bread and pastries. Make up a batch of a quick Basic Waffle recipe the night before so it's ready to bake in the heated WafflePro® every morning. Enjoy!

The Chef'sChoice® WafflePro® Model 830B/830B-SE creates a waffle pattern virtually identical to the most popular waffles of Belgium and Holland. The resulting waffle has deep pockets, ideal for toppings such as fresh fruits, sauces and syrups. The authentic Belgian waffle maker can be rectangular, square or round. Regardless of the overall shape, the individual depressions in a Belgian Waffle are deep.

GETTING TO KNOW THE WafflePro®

Take a minute to identify the key features and controls of the WafflePro®, (Figure 1) made of high strength, high temperature engineering plastics with a polished stainless steel lid.

To open the lid, lift by the insulated front plastic handle. Electronic controls are on the control panel, Figure 2.

Particularly important is the circular black Rocker Switch, Figures 1 and 2. Press the upper portion of the rocker switch for a fast bake and for waffles with “Crisp Exterior/Moist Interior”, or press at the bottom of the rocker switch for a deep bake and for waffles that have a more “Uniform Texture” throughout.

Below the rocker switch is a red light marked “Baking” to indicate when the waffle plates are being heated. Below that is a green light marked “Ready” to indicate either the waffle plate is at baking temperature or the waffle is “Ready” to be served.

An audible “Ready Beeper” sounds when the green light comes on to further indicate when the waffle is ready to serve.

The color control wheel is graduated numerically. The waffle will be darker or lighter in color depending on the exact setting of this wheel and the position of the rocker switch. This control wheel is relatively sensitive and fractional numerical changes can make a notable difference in color. The common operating range for the color control is 3½ to 5. To darken the waffle, move toward a higher number.

The lid has a unique hinge that allows the back of the lid to raise slightly as needed to maintain a uniform thickness of the waffle as it bakes and rises.

Provision has been made for cord storage as described in Storage Section. The cord can be stored under the WafflePro® with its end secured in a slot molded into the base.

The WafflePro® can be stored upright to save shelf space. Simply close the lid and stand it upright resting on the flat hinged end.

USING THE WafflePro® FOR THE FIRST TIME

Insert the WafflePro® power cord into a grounded 120 volt outlet and close the cover. The red “baking” light will turn on immediately indicating the waffle plates are heating. Turn the color control



Figure 1. WafflePro® Taste/Texture Select®.

dial to 4. You can shorten the warm-up time by pressing firmly the top of the black circular rocker switch adjacent to the marking “Crisp Exterior/Moist Interior.”

In about 3½ minutes the red light will turn off, the green Ready light will turn on and the Beeper will sound indicating the WafflePro® is ready for baking. On the first heating you may sense a slight odor during the heat-up cycle, typical of new heating elements with non-stick surface coatings.

When “Ready”, open the lid and brush a light coating of vegetable or corn oil, melted margarine or butter on the entire surface area of both the upper and lower heated grids (or you may use non-stick cooking spray). Because both of the baking surfaces are factory finished with an anti-stick coating, it is necessary to oil the surfaces only before the first time you use the WafflePro®. It should not be necessary to oil again on subsequent use.

Pour about ½ cup of waffle batter onto the middle of the lower grid and close the lid. Discard the first waffle as it will absorb the excess oil you used on the grids.

WARM UP AND BAKING PROCEDURE

If the WafflePro® has not been used before, follow instructions above for “Using the WafflePro® for the First Time.”

If you are looking for a good recipe, see “Some Favorite Recipes”, (page 9).

WARM-UP

Plug the power cord into a grounded 120 volt outlet. Set the rocker switch to “Crisp Exterior/ Moist Interior” to begin the heat-up cycle. This setting places maximum heat on the waffle grids and they will warm up in only 3½ minutes. If the switch is set to Uniform Texture, warm up time will be about twice that long. The red “Baking” light will come on when the WafflePro® is plugged in. Set the color control wheel to 4. When the heat-up period is complete the red light will go off, the “Ready” light will come on and the beeper will briefly sound to remind you the grid is up to temperature and ready for you to begin baking. When the green light comes on the heaters are deactivated until the grids cool slightly below the baking temperature.

Keep hands away from the hot stainless cover and grid surfaces. Touch only the plastic parts and handle provided.

SELECT THE TASTE/TEXTURE – WHICH IS JUST RIGHT FOR YOU

The versatile Quad® Baking System, unique to the WafflePro®, lets you control the baking condition best suited to your taste and allows you to vary and modify the taste, texture and aroma of the waffles

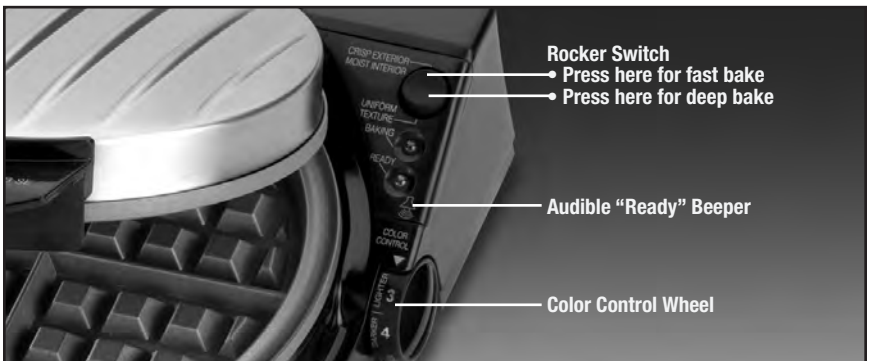


Figure 2. Control Panel

any time you wish. By adjusting the batter you can further widen the flavors and textures available. You can find the perfect combination for each recipe and for any of your favorite toppings. **Caution** - Do not rely on the age-old notion that the waffle is done when the waffle maker stops steaming. Because of the unique Quad® Baking System, the waffle may be ready to serve while the WafflePro® is still steaming. Learn to rely on the green light and beeper and vary the settings to your taste.

MAKING WAFFLES WITH CRISP EXTERIOR/MOIST INTERIOR

Waffles made with the Crisp Exterior/Moist Interior setting will retain more of the freshly-baked aroma and flavor. The degree of exterior crispness will depend on the recipe and the color control setting.

1. Depress the upper portion of the black circular rocker switch marked “Crisp Exterior/Moist Interior.” Set the color control to 4 for the first waffle.
2. Pour or ladle about ½ cup of batter from a ladle or pitcher in the middle of the lower waffle grid. A thicker batter, thin enough to just pour slowly works best. Avoid putting too much batter on grid as that will cause an overflow and increase clean up time. Too little batter will not fill the grid and heating will be uneven.
3. Close the lid immediately after adding batter so as to spread out the batter uniformly. Press down lightly on the lid handle for several seconds in order to help level the batter. A special hinge at the rear of lid adjusts automatically to ensure a uniform thickness of the waffle.
4. The red light will come on indicating the waffle is baking. This means the heater is powered to continue the cooking process.
5. When the waffle is ready, the green light comes on, the red light goes off and the beeper sounds briefly.
6. Lift the lid slightly and inspect the waffle color. If necessary, close the lid and continue heating a little longer until desired color is obtained. On the next baking cycle adjust the color control wheel as necessary to obtain a better setting. Movement to a higher number will darken the waffle. Commonly the necessary adjustment is less than one whole number.
7. When the waffle is done, remove it by lifting one edge with a heat-resistant plastic fork or spatula. (If you use a metal fork, use care not to contact grid surfaces as that might scratch the non-stick surface and decrease its effectiveness.)
8. After removal of waffle, the WafflePro® can be immediately refilled with batter or it can be closed until you are ready to bake again. If you do not start another waffle immediately the green light will stay on until the grids cool slightly, then the red light will come on briefly indicating the grids are being reheated to maintain readiness for the next use. When the green light comes on again the next waffle can be poured and baked.
9. When finished baking, be certain to unplug the WafflePro®. Only then is the power to the waffle maker switched off.

MAKING WAFFLES WITH UNIFORM TEXTURE

Waffles made with the “Uniform Texture” baking cycle will be evenly baked throughout their thickness. They will have a crunchy and drier texture. The amount of moisture retention will depend on the color control setting. Generally the color control setting will be lower and the baking time will be about twice that expected with the “Crisp Exterior/Moist Interior” setting.

1. Depress the lower portion of the black circular rocker switch marked “Uniform Texture”. Set the color control dial to 3½ for the first waffle.
2. Pour or ladle about ½ level cup of batter from a ladle or pitcher in the middle of the lower waffle grid. A thicker batter, thin enough to just pour slowly works best. Do not overfill the grid.
3. Close the lid immediately after adding the batter so that the lid will level out the batter. A special hinge at the rear adjusts automatically to ensure a uniform thickness of the waffle.

4. The red light will come on indicating the waffle is baking.
5. When the waffle is ready the red light goes off, the green light comes on, and the beeper sounds briefly.
6. Lift the lid and inspect the waffle. If you want a slightly browner waffle, close the lid and cook for another 20 seconds or so.
7. When the color is right, remove waffle with a plastic spatula or fork. As needed increase or decrease the color control for the next cycle. Once you establish the optimum color setting, it will not require any change in the future unless you alter the waffle recipe or switch to “Crisp Exterior/Moist Interior.”
8. Add batter for the next waffle or close lid until you are again ready to bake. The green light will remain on until WafflePro® cools slightly. Then the red light will alternately come on to keep the grids hot until you are ready for the next waffle.
9. When finished baking, be certain to unplug the WafflePro®. Only then is the power to the waffle maker switched off.

Always unplug the WafflePro® immediately after use. Never leave it unattended when plugged in. Children should not be allowed to use a waffle maker except in the presence of an attentive adult.

The WafflePro® cools faster when its lid is left fully open. Store only when cold. Save shelf space by storing the WafflePro® upright resting on its hinged flat end.

WAFFLE BASICS

Superb waffles begin with a good recipe but depend on a versatile waffle maker to fully develop the flavor, texture and aroma of the batter. A perfect waffle is no accident. It is the combination of a brownish crisp exterior and an interior texture baked the way you like it. Some of us prefer a waffle with a moist interior like freshly baked bread. Such a waffle has the greatest flavor and aroma. Others want a uniformly crunchy waffle, one that is baked slowly with less interior moisture. You may like to bake breakfast waffles that are crisp on the outside and fluffy inside but you may want a chocolate dessert waffle, destined to be served with a scoop of ice cream, that is crunchy throughout.

The WafflePro® incorporates the unique Quad® baking system to ensure a waffle baked the way you prefer. You select either a fast bake or a deep bake. Then you select a color control setting. And the color control adjusts for either baking setting to give you a toasty, brown exterior and the interior texture you want.

The Quad® baking system on the WafflePro® works this way. The “Crisp Exterior/Moist Interior” setting gives you a fast bake while the “Uniform Texture” setting gives a slow deep bake. The Color Control setting controls the surface temperature of the waffle and determines its color.

To get a crisp exterior with a contrasting steamy aromatic interior, you need a waffle iron with a fast bake. The WafflePro® is unique among all waffle makers in its ability to cook rapidly enough to create this delectable combination.

WAFFLE INGREDIENTS AND TECHNIQUES

Sugar in waffle batter enhances the browning of the waffle especially on the surface where the temperatures are highest. If your diet permits, a small amount of sugar can do wonders for the waffles.

Cornmeal in waffle batter adds extra crunch. Only a few tablespoons are needed to add texture.

Butter and oil enhance flavor and can increase the darkening of the waffle. But, too much of these liquids inhibits surface browning.

Eggs add their own flavor to the mix and importantly they reduce the tendency of waffles to “split”.

The consistency of your batter will effect the end result. A slightly thick batter, one that pours slowly, some say like slow moving lava, works the best. If the batter pours freely, add more flour to thicken.

Regardless of the recipe, the WafflePro® works best with a level ½ cup of batter. This amount fills the waffle iron without risk of overflow. Use a pitcher, a measuring cup or ladle to pour batter onto the WafflePro® grids.

When making waffle batter, add milk slowly and mix with a power mixer or by hand until the right consistency is reached. Blend just until the desired consistency is reached. You may not need to use all of the milk or liquid called for in a recipe. If you add too much liquid, simply stir in additional flour (or dry mix) to thicken the batter.

Some recipes may call for separating the eggs, beating the whites and folding them in at the end of the mix. This step gives a slightly lighter waffle with a less uniform texture but it is not essential. Whole eggs may be used.

Always preheat the WafflePro® before adding the batter. Set the Color Control to 4 if you are just getting started, otherwise set it to your own preference. Read the instructions beginning on Page 5 before making your first waffles.

Remember when the green light and beeper signal that the waffle is “Ready”, you can briefly lift the lid to check the degree of browning and, if desired, close the lid to bake the waffle for another 20 to 30 seconds for more crispness.

Because the WafflePro® heats so rapidly on the “Crisp Exterior/Moist Interior” setting, you will be able to prepare waffles about as fast as they can be eaten. Waffles taste best “hot off the griddle” but you might let them cool on a wire rack for 20 to 30 seconds before serving. This gives the waffle a chance to release some steam and stiffen slightly. (If a waffle is placed directly on a plate, the steam condenses under the waffle causing the crisp exterior to soften.)

SOME FAVORITE RECIPES

Basic Wheat Flour Waffles

A simple recipe that produces a light and crisp waffle.

2 cups all-purpose flour
1 tablespoon baking powder
2 eggs
1½ cups milk, as needed

3 tablespoons sugar
1 teaspoon salt
¼ cup melted butter
1 teaspoon vanilla

Makes 5-6 waffles

1. Place the flour, sugar, baking powder and salt in a small bowl. Stir with a wire whisk to evenly distribute the ingredients. Add the melted butter, eggs and about 1¼ cups of milk. Blend with a wire whisk until smooth and free from lumps. Batter should be thick but still pour slowly from a ladle or measuring cup. Add more milk as needed to obtain a thick but pourable consistency. If the batter becomes too thin, stir in a teaspoon or two of additional flour.
2. Preheat the WafflePro® at:
“**Crisp Exterior/Moist Interior**” @ Color Control 4 or “**Uniform Texture**” @ Color Control 3½
3. Pour a level ½ cup of batter onto preheated waffle grid. Close the lid, press it down lightly to level batter. Bake until the signals indicate waffle is done.
4. Remove waffle and place on a wire rack for about 30 seconds, then serve immediately.

Note: Waffles may be kept warm in a preheated 300°F oven for 5 to 10 minutes but their consistency may change. Batter can be held overnight under refrigeration. If it thickens, add milk to restore to the desired consistency.

Delicious Fruit Additions to the Basic Waffle Recipes

Spicy Banana

Fold in ½ cup of mashed ripe bananas and 1 teaspoon cinnamon.

Country Apple

Fold in ½ cup of finely chopped (peeled) apples and ¼ to ½ cup of chopped pecans or walnuts.

Blueberry

Fold in ½ cup canned Maine (small) blueberries and a pinch of nutmeg. If unavailable, fresh or frozen blueberries are fine. We recommend small berries for best results.

European Home Style Waffles

For those who like the tang of buttermilk, this recipe makes a light waffle with a delicate golden color.

2 cups all purpose flour

½ teaspoon baking soda

1½ teaspoons baking powder

½ teaspoon salt

2 tablespoons sugar

½ cup buttermilk

2 eggs, separated

4 tablespoons butter, melted

1 cup milk, more if needed

Makes 5 waffles

1. Stir together the flour, baking soda, baking powder, salt and sugar. Set aside.
2. In a small bowl combine the egg yolks, buttermilk, milk and melted butter. Using a rubber spatula, gently fold the liquid into the dry ingredients.
3. In a separate bowl beat the egg whites until they are foamy and hold soft peaks. Gently fold the egg whites into the batter.
4. Preheat the WafflePro® set at:
“**Crisp Exterior/Moist Interior**” @ Color Control 4 to 4½ or “**Uniform Texture**” @ Color Control 3½
5. Pour about a level ½ cup waffle batter onto preheated waffle grid. Close the lid and bake until signal indicates waffle is done.
6. Remove waffle and place on a wire rack for about 30 seconds, then serve immediately.

Note: Waffles may be kept warm in a preheated 300°F oven for 5 to 10 minutes, but their consistency may change.

The Authentic Belgian Waffle Recipe

This authentic recipe, preferred in Belgium and the Netherlands, is much richer and sweeter than the American recipes. Both children and adults love this Belgian treat. It is particularly good for dessert, at parties and for special occasions.

1 cup granulated sugar

1 cup (8 oz.) melted butter

4 eggs – separated

1½ cups self-rising flour

Makes about 4 waffles in WafflePro® 830B/830B-SE

1. Place the granulated sugar in a medium size bowl. Mix in the melted butter. Mix in the 4 egg yolks. Add and then mix in thoroughly the self-rising flour.
2. In a small bowl beat the 4 egg whites until stiff. Stir the egg whites into the mixture until all is fully blended. Add more flour as necessary to stiffen the batter. The batter should flow off a spoon but only slowly.
3. Preheat the WafflePro® set on “**Uniform Texture**”, with the Color Control Dial set at 3.
4. Pour or spoon onto the preheated griddle ½ to ⅝ cup of the batter. Close the lid and bake until the “Ready” light and beeper signals.

Because this batter has so much butter, some batter could seep out of the front and sides of the waffle maker during the baking process. This is normal. The waffle will be soft and fragile (compared to American waffles) when “ready”, but it will stiffen quickly when removed from the griddle. Because it is very sweet and filling you will find that 4 waffles will satisfy a group of 6-8 people.

Cornmeal Waffles

The crunchy yet airy texture of this waffle is matched by its excellent taste.

1½ cups all purpose flour

½ cup yellow cornmeal

1 tablespoon baking powder

2 tablespoons sugar

1 cup milk, depending on batter consistency

½ teaspoon baking soda

2 eggs, lightly beaten

5 tablespoons vegetable oil

1 teaspoon salt

Makes 4-5 waffles

1. Combine all dry ingredients in a large bowl. Stir to blend well.
2. Make a well in the center of the dry ingredients. Add the eggs and oil. Slowly pour in the milk, mixing constantly until a thick batter is obtained.
3. Preheat the WafflePro® at:
“**Crisp Exterior/Moist Interior**” @ Color Control 4½ or “**Uniform Texture**” @ Color Control 3½
4. Pour about a level ½ of a cup waffle batter onto preheated waffle grid. Close the lid and bake until signal indicates waffle is done.
5. Remove waffle and place on a wire rack for about 30 seconds then serve immediately.

Note: Waffles may be kept warm in a preheated 300°F oven for 5 to 10 minutes but their consistency may change.

If you prefer more of a cornbread style waffle, substitute more cornmeal for some of the flour in the recipe. ½ cup of flour to 1½ cups of cornmeal is ideal. Add more milk to make a thick batter and bake as directed.

TWO RECIPES FOR THE CHOCOLATE LOVER

Chocolate Chip Waffles

A light waffle full of chocolate surprises, this recipe is sure to become one of your family's favorites.

2 cups all purpose flour

2 tablespoons sugar

2 teaspoons baking powder

½ teaspoon salt

2 eggs, lightly beaten

4 tablespoons vegetable oil

½ cup small chocolate chips

¼ cup milk

Makes about 4-5 waffles

1. Combine all dry ingredients in a large bowl. Stir to blend well.
2. Add the eggs and oil, then slowly pour in the milk while stirring constantly with a rubber spatula. Add just enough milk to make a batter that mounds slightly when poured. Stir in the chocolate chips and blend to distribute them evenly.
3. Preheat the WafflePro® at:
“**Crisp Exterior/Moist Interior**” @ Color Control 4 or “**Uniform Texture**” @ Color Control 3½
4. Spoon a level ½ cup waffle batter onto preheated waffle grid. Close the lid and bake until signal indicates waffle is done.
5. Remove waffle and place on a wire rack to cool for about 30 seconds then serve immediately.
6. This batter may leave some melted chocolate on the waffle grids. To clean, let the WafflePro® cool and wipe off chocolate with a warm moist cloth.

Note: Waffles may be kept in a preheated 300°F oven for 5 to 10 minutes but their consistency may change.

For a lighter waffle, the eggs in this recipe can be separated and the yolks added to the batter along with the milk. The whites can be beaten stiff, then folded into the batter.

Waffle Brownies

The child in everyone will love this waffle as a tea-time snack or baked-to-order dessert. For a special treat, serve these with whipped cream, or in a Brownie Sundae with ice cream and hot fudge sauce. **Superb!!**

3 oz. (3 squares) unsweetened chocolate melted
½ cup (8 tablespoons) butter or shortening, melted
⅔ cup sugar
1½ cups all purpose flour
½ - ¾ cup chopped nuts, (walnuts or pecans)

3 eggs
½ teaspoon salt
1 teaspoon vanilla
¾ cup milk
powdered sugar, optional

Makes 4-5 waffles

1. Preheat the WafflePro® at:
“**Crisp Exterior/Moist Interior**” @ Color Control 4½ or “**Uniform Texture**” @ Color Control 3¼
2. Place the chocolate and butter or shortening in a small saucepan. Melt over low heat. Set aside to cool.
3. In a separate bowl, beat the eggs and salt until light in color. Add the sugar and vanilla. Beat by hand to combine, then fold in the cooled chocolate mixture.
4. Stir in the flour and nuts. Slowly add just enough milk to make a thick batter spoonable into the waffle grid.
5. Spoon a level ½ cup waffle batter onto preheated waffle grid. Close the lid and bake until signal indicates waffle is done.
6. Remove waffle and serve immediately. Dust with powdered sugar if using.

Note: Waffle brownies will store well for several days if wrapped in plastic.

CORD SAFETY

A short power supply cord is provided with this appliance to reduce the risk of someone becoming entangled in or tripping over a longer cord and causing the WafflePro® to overturn, spilling its hot contents. While EdgeCraft does not recommend it, extension cords are available and may be used if care is exercised in their use. If an extension cord is used, the marked electrical rating of the extension cord should be at least 10 amperes. The longer cord should be arranged so that it will not hang over the counter top or tabletop where it can be pulled on by children or pets or tripped over.

CLEANING AND STORAGE

Before cleaning the WafflePro®, always unplug the power cord. Wait until the WafflePro® cools to room temperature. Never clean the appliance under water. If you find it necessary to clean the baking surface, use a soft brush, a moist Q-tip or a flexible moist cloth. Never use sharp or pointed tools as they will damage the anti-stick surfaces. The exterior can be safely cleaned with a mild detergent on a damp soft cloth, a Q-tip, or small soft brush. Then use a dampened cloth followed by drying with a dry soft cloth.

Store the power cord under the bottom as shown in Figure 3 and insert the end of the cord, (that is the strain relief adjacent to the power plug) into the plastic slot under the left side of the WafflePro®. You will find it is easy to store vertically resting on the top hinged face as shown.

SERVICE

This appliance is for household use only. No user-serviceable parts are inside. Refer servicing to qualified personnel.

In the event service is needed, return your WafflePro® to EdgeCraft Corporation, where the cost of repair or electrical or mechanical adjustment can be estimated before the repair is undertaken. If failure occurs within the warranty period there may be no charge.

Please include your return address and a brief description of the problem or damage to the waffle maker on a separate sheet inside the box.

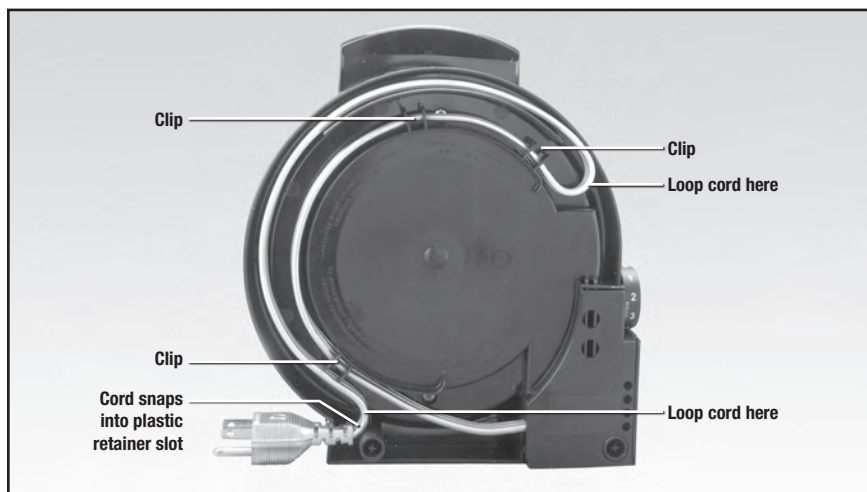


Figure 3. Cord clips under base. WafflePro® stores upright as shown.

EdgeCraft

World Leader in Cutting Edge Technology®

EdgeCraft Corporation

825 Southwood Road, Avondale, PA 19311 U.S.A.

Customer Service (800) 342-3255 or 610-268-0500

Chef'sChoice®, EdgeCraft®, WafflePro®, Taste/Texture Select® and Quad Baking System® are registered trademarks of EdgeCraft Corporation, Avondale, PA.

Conforms to UL Std. 1083 Certified to CAN/CSA Std. C22.2 No. 64-M91

© EdgeCraft Corporation 2012

H12

www.chefschoice.com

Printed in China.

W831659

Chef'sChoice®

International

WafflePro® Taste/Texture Select® Sélecteur de goût/de texture



WITH **Quad**®
BAKING SYSTEM



Instructions et recettes pour le modèle **830B/830B-SE**

CONSIGNES DE SÉCURITÉ IMPORTANTES

Lors de l'utilisation d'appareils électriques, des précautions élémentaires de sécurité doivent toujours être respectées, notamment :

1. Lisez intégralement les instructions avant d'utiliser le WafflePro®.
2. Ne touchez pas les surfaces chaudes. Utilisez toujours la poignée en plastique sur le couvercle et ne touchez pas au couvercle en acier inoxydable lorsqu'il est chaud.
3. Afin d'éviter les risques d'incendies, d'électrocutions et de blessures corporelles, veuillez ne pas immerger le cordon d'alimentation, la prise ou le gaufrier dans l'eau ou dans tout autre liquide.
4. Une surveillance étroite est nécessaire lorsque tout appareil est utilisé par ou à proximité des enfants.
5. Avant l'utilisation, déroulez complètement le câble d'alimentation et maintenez-le éloigné des parties chaudes de l'appareil.
6. Ne laissez pas pendre le câble d'alimentation au-dessus des bords d'une table ou d'un comptoir, ou toucher des surfaces chaudes.
7. Ne posez pas l'appareil sur ou près d'une plaque chauffante électrique, d'un brûleur à gaz ou dans un four chaud.
8. Une prudence extrême doit être observée lors du déplacement d'un appareil contenant de l'huile chaude ou d'autres liquides chauds.
9. Utilisez le gaufrier uniquement sur des surfaces sèches, planes et non glissantes.
10. N'utilisez pas le WafflePro® à l'extérieur.
11. N'utilisez pas le WafflePro® si le câble ou la prise sont endommagés. S'il est défectueux ou a subi un quelconque dommage, veuillez renvoyer votre WafflePro® au département après-vente d'EdgeCraft Corporation afin qu'il soit inspecté, réparé ou réglé.
12. L'utilisation d'accessoires non recommandés par l'entreprise EdgeCraft peut causer des incendies, des électrocutions ou des blessures.
13. Débranchez toujours le gaufrier de l'alimentation électrique lorsqu'il n'est pas utilisé ou lors du nettoyage afin d'éviter un choc électrique accidentel. Laissez-le refroidir avant de le nettoyer.
14. Tant que l'appareil est chaud, même s'il est débranché, il y a des risques de brûlure. Ne touchez pas les surfaces chaudes et ne rangez pas l'appareil tant qu'il est chaud.
15. N'utilisez pas le WafflePro® pour d'autres raisons que celles pour lesquelles il est prévu.
16. Utilisez uniquement sur une alimentation de 120V 60 Hz. Utilisez une prise comportant une bonne mise à la terre.
17. Pour usage domestique uniquement.
18. **CONSERVEZ CES INSTRUCTIONS.**

VOUS AVEZ FAIT LE BON CHOIX

Le WafflePro® Taste/Texture Select® (Sélecteur de goût/de texture) Modèle 830B/830B-SE vous est fourni par Chef'sChoice® (le choix du Chef), le fabricant de produits domestiques professionnels pour gourmets de qualité mondialement reconnue. Le WafflePro® vous permet de bénéficier chez vous des caractéristiques réservées uniquement aux gaufriers professionnels. Son système exclusif de cuisson Quad® vous permet d'obtenir le « parfait équilibre » entre la texture et le goût. Le WafflePro® est un gaufrier extrêmement polyvalent qui vous permet de cuire rapidement vos gaufres afin de leur donner une surface brune dorée et croquante tout en gardant un cœur moelleux, comme du pain croustillant sortant du four. Sinon, par simple pression sur un interrupteur, le WafflePro® permet aussi de faire une gaufre croustillante à la texture uniforme.

Vous rappelez-vous quand les gaufres étaient réservées uniquement aux fins de semaines, lorsque papa et maman avaient plus de temps libre? Le WafflePro® remet tous les jours les gaufres au menu! Il chauffe pendant que votre café est brassé et votre première gaufre est prête quand il est servi. Le WafflePro® chauffe si rapidement que vous ferez des gaufres presque aussi rapidement qu'elles peuvent être mangées.

Imaginez des gaufres à l'arôme et au goût naturels du pain et des pâtisseries fraîchement sorties du four. Préparez la veille une fournée de gaufres simples en suivant une recette rapide afin qu'elles soient prêtes à cuire dans le WafflePro® chaud tous les matins. Dégustez!

Le WafflePro® Chef'sChoice® (le choix du Chef) Modèle 830B/830B-SE possède un motif de gaufre quasiment identique à celui des gaufres les plus populaires de la Belgique et de la Hollande. Les gaufres obtenues ont des creux profonds et sont idéales pour des nappages tels que des fruits frais, des coulis et des sirops. L'authentique gaufre belge peut être rectangulaire, carrée ou ronde. Quelle que soit sa forme générale, les différents creux d'une gaufre belge sont profonds.

SE FAMILIARISER AVEC LE WAFFLEPRO®

Prenez un instant pour identifier les fonctions et les commandes principales du WafflePro®, (Figure 1), fabriqué à partir de plastiques rigides et extrêmement résistants aux hautes températures et doté d'un couvercle d'acier inoxydable poli.

Pour ouvrir le couvercle, soulevez-le par la poignée frontale isolée en plastique. Les commandes électroniques se trouvent sur le panneau de commandes (Figure 2).

L'interrupteur à bascule noir rond est un bouton particulièrement important (Figures 1 et 2). Appuyez en haut de l'interrupteur à bascule pour une cuisson rapide et pour des gaufres ayant une « Surface croustillante/Intérieur moelleux » ou appuyez en bas de l'interrupteur à bascule pour une cuisson en profondeur et pour des gaufres ayant plutôt une « Texture uniforme ».

En dessous de l'interrupteur à bascule se trouve un témoin lumineux rouge marqué « Cuisson » qui indique que les plaques du gaufrier sont en train de chauffer. En dessous de celui-ci se trouve un témoin lumineux vert marqué « Prêt » qui indique que les plaques du gaufrier sont à la température de cuisson ou que la gaufre est « prête » à être servie.

De plus, un avertisseur sonore émet un « bip » distinct lorsque le témoin vert s'allume pour signaler que la gaufre est prête à être servie.

La molette de contrôle de la couleur possède des graduations numériques. La gaufre sera plus foncée ou plus claire suivant le réglage exact de la molette et la position de l'interrupteur à bascule. Cette molette de contrôle est relativement sensible et de très petites variations numériques peuvent provoquer une différence notable de couleur. La plage d'utilisation normale pour le contrôle de la couleur va de 3,5 à 5. Pour rendre la gaufre plus foncée, tournez la molette vers un chiffre plus grand.

Le couvercle possède une charnière unique qui permet à l'arrière du couvercle de se soulever légèrement afin que la gaufre garde une épaisseur uniforme lorsque celle-ci cuit et gonfle.

Un espace a été prévu pour ranger le câble comme décrit dans la section Entreposage. Le câble peut être rangé sous le WafflePro®, son extrémité fixée dans une fente moulée dans le socle.

Le WafflePro® peut être entreposé verticalement pour prendre moins de place sur une tablette. Fermez simplement le couvercle et mettez-le debout sur l'extrémité plate de la charnière.

PREMIÈRE UTILISATION DU WAFFLEPRO®

Branchez le câble d'alimentation du WafflePro® dans une prise de courant de 120 volts avec une mise à la terre et fermez le couvercle. Le témoin lumineux rouge de « Cuisson » s'allumera immédiatement



Figure 1. WafflePro® Taste/Texture Select® (Sélecteur de Goût / Texture).

pour indiquer que les plaques du gaufrier sont en train de chauffer. Tournez le cadran de contrôle de la couleur à 4. Vous pouvez diminuer le temps de chauffage en appuyant fermement sur le haut de l'interrupteur à bascule noir rond à côté du marquage « Surface croustillante/Intérieur moelleux ».

Environ 3 minutes et demie plus tard, le témoin lumineux rouge s'éteindra, le témoin vert « Prêt » s'allumera et l'avertisseur sonore émettra un bip signalant que le WafflePro® est prêt pour la cuisson. Lors du premier chauffage, vous sentirez peut-être une légère odeur durant le cycle de montée en température qui est caractéristique des éléments chauffants neufs ayant un revêtement anti-adhésif.

Lorsque l'appareil indique qu'il est « Prêt », ouvrez le couvercle et étalez une fine pellicule d'huile végétale ou de maïs, de margarine ou de beurre fondu sur les deux plaques chaudes, supérieure et inférieure (vous pouvez également utiliser un pulvérisateur pour cuisson anti-adhésive). Comme les deux surfaces de cuisson possèdent un revêtement anti-adhésif appliqué en usine, il n'est nécessaire d'huiler les surfaces qu'une seule fois avant la première utilisation du WafflePro®. Il ne devrait pas être nécessaire d'huiler de nouveau lors des prochaines utilisations.

Versez le ½ d'une tasse de pâte à gaufre au milieu de la plaque inférieure et fermez le couvercle. Jetez la première gaufre car elle aura absorbé l'excédent d'huile que vous avez utilisée sur les plaques.

PROCÉDURES DE CHAUFFAGE ET DE CUISSON

Si le WafflePro® n'a pas encore été utilisé auparavant, suivez les instructions ci-dessus pour une « Première utilisation du WafflePro®. »

Si vous cherchez une bonne recette, reportez-vous au chapitre « Quelques recettes préférées » (page 9).

CHAUFFAGE

Branchez le câble d'alimentation dans une prise de courant de 120 volts comportant une mise à la terre. Mettez l'interrupteur à bascule en mode « Surface croustillante/Intérieur moelleux » pour démarrer le cycle de chauffage. Ce réglage permet aux plaques du gaufrier de chauffer à puissance maximale et elles seront à température en seulement 3 minutes et demie. Si l'interrupteur est positionné en mode « Texture uniforme », le temps de chauffage sera environ deux fois plus long. Le témoin lumineux rouge de « Cuisson » s'allumera lorsque le WafflePro® est branché. Réglez la molette de contrôle de la couleur à 4. Quand le cycle de chauffage est terminé, le témoin lumineux rouge s'éteint, le témoin lumineux vert « Prêt » s'allume et l'avertisseur sonore émet un bip pour vous rappeler que la plaque est à température et prête pour que vous commenciez la cuisson. Quand le témoin lumineux vert s'allume, les résistances chauffantes sont désactivées jusqu'à ce que les plaques refroidissent légèrement et repassent sous la température de cuisson.

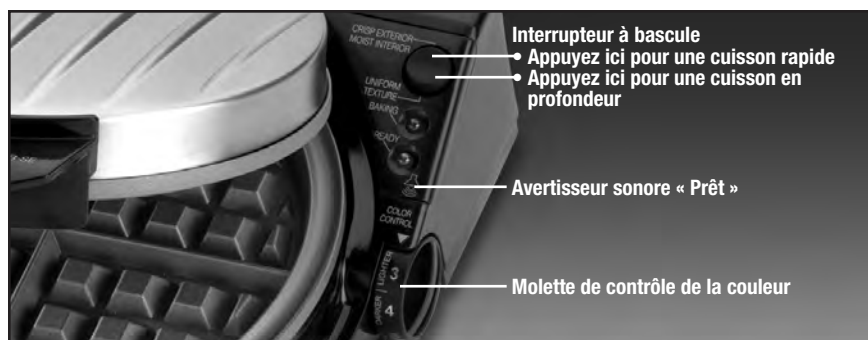


Figure 2. Panneau de commandes.

Gardez vos mains éloignées du couvercle en acier inoxydable et des plaques chaudes. Ne touchez que les parties en plastique et les poignées fournies.

SÉLECTION DU GOÛT ET DE LA TEXTURE QUI VOUS CONVIENNENT

Le système polyvalent de cuisson Quad®, une exclusivité du WafflePro®, vous permet de contrôler les conditions de cuisson les mieux adaptées à vos préférences et de modifier le goût, la texture et la saveur des gaufres selon votre convenance. En modifiant la pâte à frire, vous pouvez élargir encore la gamme de saveurs et de textures disponibles. Vous pouvez trouver la combinaison parfaite pour chaque recette et pour chacun de vos nappages préférés. Attention - Ne vous fiez pas au concept ancien qui veut que la gaufre soit prête lorsque le gaufrier arrête de dégager de la vapeur. Grâce au système exclusif de cuisson Quad®, la gaufre peut être prête à servir même lorsque le WafflePro® dégage encore de la vapeur. Apprenez à vous fier au témoin lumineux vert et à l'avertisseur sonore et modifiez les réglages à votre convenance.

FAIRE DES GAUFRES AVEC « SURFACE CROUSTILLANTE/INTÉRIEUR MOELLEUX »

Les gaufres faites avec le réglage « Surface croustillante/Intérieur moelleux » conservent mieux l'arôme d'une gaufre fraîchement cuite. Le degré de croustillant extérieur dépend de la recette et du réglage du contrôle de la couleur.

1. Appuyez sur la partie supérieure de l'interrupteur à bascule rond noir marquée « Surface croustillante/Intérieur moelleux ». Réglez le contrôle de la couleur à 4 pour la première gaufre.
2. Versez environ ½ du contenu d'une tasse de pâte à l'aide d'une louche ou d'une carafe au milieu de la plaque inférieure du gaufrier. Une pâte plus épaisse, juste assez fluide pour être versée doucement est idéale. Évitez de mettre trop de pâte sur la plaque car elle pourrait déborder et augmenter le temps de nettoyage. Une quantité insuffisante de pâte ne remplira pas la plaque et la chaleur de cuisson sera mal répartie.
3. Fermez le couvercle immédiatement après avoir versé la pâte afin qu'elle se répande uniformément. Appuyez légèrement sur la poignée du couvercle pendant quelques secondes afin de mieux répartir la pâte. Une charnière spéciale à l'arrière du couvercle s'adapte automatiquement afin d'assurer une épaisseur uniforme de la gaufre.
4. Le témoin lumineux rouge s'allumera, indiquant que la gaufre est en train de cuire. Cela signifie que le réchaud est alimenté pour la poursuite du processus de cuisson.
5. Lorsque la gaufre est prête, le témoin lumineux vert s'allume, le témoin rouge s'éteint et l'avertisseur sonore émet un bref bip.
6. Soulevez légèrement le couvercle et contrôlez la couleur de la gaufre. Au besoin, fermez le couvercle et continuez à chauffer un peu plus longtemps jusqu'à obtenir la couleur désirée. Lors du prochain cycle de cuisson, réglez la molette de contrôle de la couleur au besoin afin d'obtenir un meilleur réglage. Un réglage à un nombre supérieur rendra la gaufre plus foncée. Bien souvent, le réglage nécessaire est inférieur à un nombre entier.
7. Lorsque la gaufre est prête, retirez-la en soulevant un bord à l'aide d'une fourchette en plastique ou d'une spatule résistante à la chaleur. (Si vous utilisez une fourchette métallique, veillez à ce qu'elle n'entre pas en contact avec la surface anti-adhésive des plaques car cela pourrait la rayer et réduire son efficacité).
8. Après avoir enlevé la gaufre, vous pouvez immédiatement remplir à nouveau le WafflePro® de pâte ou bien le fermer jusqu'à ce que vous soyez prêt à en cuire une autre. Si vous ne commencez pas une nouvelle gaufre immédiatement, le témoin lumineux vert restera allumé jusqu'à ce que les plaques refroidissent légèrement, et le témoin rouge s'allumera alors brièvement, indiquant que les plaques sont chauffées de nouveau afin de maintenir le gaufrier prêt à l'emploi. Lorsque le témoin vert s'allume à nouveau, la prochaine gaufre peut être versée et cuite.

9. Lorsque vous avez terminé la cuisson, assurez-vous de bien débrancher le WafflePro®. C'est uniquement à ce moment que le gaufrier est hors tension.

FAIRE DES GAUFRES AVEC « TEXTURE UNIFORME »

Les gaufres faites avec le cycle de cuisson « Texture uniforme » seront cuites de la même manière jusqu'au cœur de celles-ci. Elles auront une texture craquante et plus sèche. La quantité d'humidité dépendra du réglage du contrôle de la couleur. Généralement, le réglage du contrôle de la couleur sera inférieur et le temps de cuisson, deux fois supérieure à celui nécessaire en mode « Surface croustillante/Intérieur moelleux ».

1. Appuyez sur la partie inférieure de l'interrupteur à bascule rond noir marquée « Texture uniforme ». Réglez le contrôle de la couleur à 3 et demi pour la première gaufre.
2. Versez environ ½ du contenu d'une tasse de pâte à l'aide d'une louche ou d'une carafe au milieu de la plaque inférieure du gaufrier. Une pâte plus épaisse, juste assez fluide pour être versée doucement est idéale. Ne remplissez pas trop la plaque.
3. Fermez le couvercle immédiatement après avoir versé la pâte afin qu'il répartisse mieux la pâte. Une charnière spéciale à l'arrière s'adapte automatiquement afin d'assurer une épaisseur uniforme de la gaufre.
4. Le témoin lumineux rouge s'allumera, indiquant que la gaufre est en train de cuire.
5. Lorsque la gaufre est prête, le témoin lumineux rouge s'éteint, le témoin vert s'allume et l'avertisseur sonore émet un bref bip.
6. Soulevez légèrement le couvercle et contrôlez la gaufre. Si vous désirez une gaufre légèrement plus brune, fermez le couvercle et laissez cuire encore 20 secondes, voire davantage.
7. Lorsque la couleur vous convient, retirez la gaufre avec une fourchette ou une spatule en plastique. Augmentez ou réduisez au besoin le contrôle de la couleur pour le prochain cycle. Une fois que vous avez trouvé le réglage optimal de couleur, vous n'aurez plus besoin de le modifier, à moins que vous ne changiez la recette ou basculiez en mode « Surface croustillante/Intérieur moelleux. »
8. Versez la pâte pour la gaufre suivante ou fermez le couvercle jusqu'à ce que vous soyez de nouveau prêt à cuire une nouvelle gaufre. Le témoin lumineux vert restera allumé jusqu'à ce que le WafflePro® refroidisse légèrement. Le témoin rouge s'allumera alors alternativement pour maintenir les plaques chaudes jusqu'à ce que vous soyez prêt à préparer la gaufre suivante.
9. Lorsque vous avez terminé la cuisson, assurez-vous de bien débrancher le WafflePro®. C'est uniquement à ce moment que le gaufrier est hors tension.

*Débranchez **toujours** le WafflePro® immédiatement après son utilisation. Ne le laissez jamais sans surveillance lorsqu'il est branché. N'autorisez pas les enfants à utiliser un gaufrier sauf s'ils sont supervisés par un adulte.*

Le WafflePro® refroidit plus vite si son couvercle est laissé grand ouvert. Ne le rangez qu'une fois froid. Économisez de l'espace sur vos tablettes en rangeant verticalement le WafflePro® debout sur l'extrémité plate de sa charnière.

NOTIONS SUR LES GAUFRES

Faire de superbes gaufres commence par une bonne recette, mais cela dépend de la polyvalence du gaufrier à développer pleinement la saveur, la texture et l'arôme de la pâte. Une gaufre parfaite n'est pas le fruit du hasard. C'est la combinaison d'une surface brunâtre croustillante et d'une texture intérieure cuite comme vous l'aimez. Certains préfèrent une gaufre avec un cœur moelleux comme du pain fraîchement sorti du four. Une telle gaufre possède une plus grande saveur et un meilleur arôme. D'autres préfèrent une gaufre au croquant uniforme, cuite doucement avec un cœur moins moelleux.

Vous aurez peut-être envie de cuire des gaufres à la surface croustillante et au cœur moelleux pour le petit déjeuner, mais vous pouvez aussi avoir envie de gaufres au chocolat pour le dessert, destinées à être servies avec une boule de glace, qui soient entièrement crouquantes.

Le WafflePro® intègre le système exclusif de cuisson Quad®, qui garantit des gaufres cuites comme vous les aimez. Vous sélectionnez une cuisson rapide ou en profondeur. Puis, vous sélectionnez un réglage pour le contrôle de la couleur. Le contrôle de la couleur s'adapte à chacune des cuissons afin de vous donner une surface grillée, brune et une texture intérieure désirée.

Le système de cuisson Quad® du WafflePro® fonctionne de cette façon. Le mode « Surface croustillante/Intérieur moelleux » permet une cuisson rapide, tandis que le réglage « Texture uniforme » permet une cuisson lente en profondeur. Le réglage de la couleur contrôle la température de surface de la gaufre et détermine sa couleur.

Pour obtenir une surface croustillante tout en gardant un cœur fumant et savoureux, vous avez besoin d'un gaufrier à cuisson rapide. Le WafflePro® se distingue de tous les gaufriers par sa capacité à cuire de façon suffisamment rapide pour créer cette délicieuse combinaison.

TECHNIQUES ET INGRÉDIENTS POUR LES GAUFRES

Le sucre dans la pâte à gaufres augmente le brunissement des gaufres, particulièrement sur les surfaces où la température est la plus élevée. Si votre régime le permet, une petite quantité de sucre peut faire des merveilles pour les gaufres.

La farine de maïs dans la pâte donne plus de croustillant. Quelques cuillères à soupe suffisent pour augmenter la texture.

Le beurre et l'huile rehaussent le goût et peuvent augmenter le brunissement de la gaufre. Néanmoins, en excès, ces liquides peuvent empêcher le brunissement de la surface.

Les œufs ajoutent leur propre saveur au mélange et diminuent fortement la tendance des gaufres à « se fendre ».

Le résultat final dépend de la texture de votre pâte. Une pâte légèrement épaisse, qui coule doucement, comme de la lave qui avance lentement comme disent certains, donne les meilleurs résultats. Si la pâte est trop fluide, ajoutez de la farine pour l'épaissir.

Quelle que soit la recette, le WafflePro® donne les meilleurs résultats avec ½ du contenu d'une tasse de pâte. Cette quantité remplit le moule à gaufre sans risque de débordement. Utilisez une carafe, un verre doseur ou une louche pour verser la pâte sur les plaques du WafflePro®.

Lorsque vous préparez la pâte, ajoutez doucement le lait et mélangez avec un batteur électrique ou à la main jusqu'à obtenir la bonne texture. Battez jusqu'à obtenir la texture désirée, pas plus. Il est possible que vous n'ayez pas à utiliser tout le lait ou le liquide recommandé dans une recette. Si vous versez trop de liquide, incorporez simplement plus de farine (ou de préparation sèche) pour épaissir la pâte.

Certaines recettes peuvent demander de séparer les blancs des jaunes d'œufs et de battre les blancs en neige pour les incorporer au mélange au dernier moment. Cette étape permet de faire des gaufres un peu plus légères avec une texture moins uniforme, mais n'est pas essentielle. On peut utiliser des œufs entiers.

Préchauffez toujours le WafflePro® avant d'y verser la pâte. Réglez le contrôle de la couleur à 4 si vous venez tout juste de commencer, sinon réglez-le à votre convenance. Veuillez lire les instructions commençant à la page 5 avant de faire vos premières gaufres.

Rappelez-vous : lorsque le témoin lumineux vert et l'avertisseur sonore signalent que la gaufre est « Prête », vous pouvez ouvrir brièvement le couvercle pour vérifier le degré de brunissement et, au besoin, le refermer afin de cuire la gaufre de 20 à 30 secondes supplémentaires pour obtenir plus de croustillant.

Le WafflePro® chauffe si rapidement en mode « Surface croustillante/Intérieur moelleux » que vous pourrez préparer des gaufres presque aussi rapidement qu'elles peuvent être mangées. Les gaufres sont meilleures lorsqu'elles « sortent du four » mais vous pouvez les laisser refroidir sur une grille pendant 20 à 30 secondes avant de les servir. Cela permet aux gaufres de libérer un peu de vapeur et de durcir légèrement. (Si une gaufre est posée directement sur une assiette, la vapeur se condense sous la gaufre et la surface croustillante se ramollit.)

QUELQUES RECETTES PRÉFÉRÉES

Gaufres simples à la farine de blé

Une recette simple qui donne des gaufres légères et croustillantes.

2 tasses de farine tout usage

3 cuillères à soupe de sucre

1 cuillère à soupe de poudre à pâte

1 cuillère à thé de sel

2 œufs

¼ tasse de beurre fondu

1 ½ tasses de lait, au besoin

1 cuillère à thé de vanille

Donne 5 ou 6 gaufres

1. Versez la farine, le sucre, la poudre à pâte et le sel dans un petit bol. Remuez à l'aide d'un fouet métallique afin de répartir uniformément les ingrédients. Ajoutez le beurre fondu, les œufs et environ 1 ¼ tasse de lait. Battez à l'aide d'un fouet métallique jusqu'à l'obtention d'un mélange lisse et sans grumeaux. La pâte à frire doit être épaisse mais couler lentement si on la verse avec une louche ou un verre doseur. Ajoutez plus de lait au besoin afin d'obtenir une texture épaisse mais que l'on puisse encore verser. Si la pâte à frire devient trop fluide, ajoutez une ou deux cuillères à soupe de farine et remuez.
2. Préchauffez le WafflePro® en mode : « **Surface croustillante/Intérieur moelleux** » en réglant le contrôle de la couleur à 4 ou en mode « **Texture uniforme** » en réglant le contrôle de la couleur à 3 et demi.
3. Versez ½ tasse de pâte à frire sur la plaque à gaufre préchauffée. Fermez le couvercle, pressez-le légèrement pour répartir la pâte. Cuisez jusqu'à ce que le signal indique que la gaufre est prête.
4. Enlevez la gaufre et mettez-la sur une grille pendant environ 30 secondes, puis servez immédiatement.

Remarque : Les gaufres peuvent être gardées chaudes dans un four préchauffé à 150°C (300°F) de 5 à 10 minutes, mais il est possible que leur texture change. La pâte à frire peut être gardée durant la nuit si elle est au réfrigérateur. Si elle épaissit, ajoutez du lait afin d'obtenir la texture désirée.

De délicieux fruits ajoutés aux recettes des gaufres simples

Banane épicée

Incorporez ½ tasse de bananes bien mûres, écrasées et une cuillère à thé de cannelle.

Pomme des champs

Incorporez ½ tasse de pommes (épluchées) finement hachées et de ¼ à ½ tasse de noix ou de pacanes hachées.

Bleuets

Incorporez ½ tasse de bleuets (petits) du Maine en boîte et une pincée de noix de muscade. A défaut, des bleuets frais ou surgelés conviennent parfaitement. Nous recommandons de petits bleuets pour de meilleurs résultats.

Recette de la véritable gaufre belge

Cette recette authentique, la préférée en Belgique et en Hollande, est beaucoup plus riche et sucrée que les recettes américaines. Les enfants ainsi que les adultes adorent cette friandise belge. Elle est particulièrement recommandée pour un dessert, lors de fêtes ou d'occasions spéciales.

1 tasse (8 oz) de sucre granulé

1 tasse (8 oz) de beurre fondu

4 œufs, dont on sépare les blancs du jaune

1 ½ tasses de levure chimique

Donne 4 gaufres environ avec le WafflePro® 830B/830B-SE

1. Versez le sucre granulé dans un bol de taille moyenne. Incorporez-y le beurre fondu. Mêlez les 4 jaunes d'œuf. Ajoutez et mélangez soigneusement la levure chimique.
2. Dans un petit bol, battez les 4 blancs en neige. Incorporez les blancs en neige à la préparation jusqu'à l'obtention d'un mélange bien homogène. Ajoutez de la farine si nécessaire pour épaissir la pâte à frire. La pâte doit s'écouler lentement quand on la verse à la cuillère.
3. Préchauffez le WafflePro® 830B/830B-SE en mode « **Texture uniforme** », en réglant le contrôle de la couleur à 3.
4. Versez à la louche de ½ à ⅝ tasse de pâte sur la plaque préchauffée. Fermez le couvercle et cuisez jusqu'à ce que le témoin « Prêt » s'allume et que l'avertisseur sonore émette un bip.

Comme elle contient beaucoup de beurre, un peu de pâte peut suinter sur le devant et sur les cotés du gaufrier pendant la cuisson ; c'est normal. La gaufre peut sembler molle et fragile (comparée à une gaufre américaine) lorsqu'elle est prête, mais elle durcira rapidement une fois sortie du gaufrier. Comme elle est très sucrée et très riche, vous vous rendrez compte que 4 gaufres suffisent pour un groupe de 6 à 8 personnes.

Gaufres traditionnelles de style européen

Pour ceux qui aiment le goût acidulé du babeurre, cette recette donne des gaufres légères et délicatement dorées.

2 tasses de farine tout usage

½ cuillère à thé de bicarbonate de soude

1 ½ cuillère à thé de poudre à pâte

½ cuillère à thé de sel

2 cuillères à soupe de sucre

½ tasse de babeurre

2 œufs, dont on sépare les blancs du jaune

4 cuillères à soupe de beurre fondu

1 tasse de lait, plus au besoin

Donne 5 gaufres

1. Mélangez ensemble la farine, le bicarbonate de soude, la poudre à pâte, le sel et le sucre. Réservez.
2. Dans un petit bol, mélangez les jaunes d'œuf, le babeurre, le lait et le beurre fondu. Remuez bien jusqu'à l'obtention d'un mélange homogène. A l'aide d'une spatule en caoutchouc, incorporez doucement le liquide aux ingrédients secs.
3. Dans un autre bol, battez les blancs en neige afin qu'ils deviennent bien mousseux. Incorporez doucement les blancs à la pâte.
4. Préchauffez le WafflePro® en mode : « **Surface croustillante/Intérieur moelleux** » en réglant le contrôle de la couleur entre 4 et 4 et demi ou en mode « **Texture uniforme** » en réglant le contrôle de la couleur à 3 et demi.
5. Versez ½ tasse de pâte à gaufre sur la plaque à gaufre préchauffée. Fermez le couvercle et cuisez jusqu'à ce que le signal indique que la gaufre est prête.
6. Enlevez la gaufre et mettez-la sur une grille pendant environ 30 secondes, puis servez immédiatement.

Remarque : Les gaufres peuvent être gardées chaudes dans un four préchauffé à 150°C (300°F) de 5 à 10 minutes, mais il est possible que leur texture change.

Gaufres à la farine de maïs

La texture croustillante et aérée de cette gaufre n'a d'égale que son goût excellent.

- 1 ½ tasses de farine tout usage**
- ½ tasse de farine de maïs jaune**
- 1 cuillère à soupe de poudre à pâte**
- 2 cuillères à soupe de sucre**
- 1 cuillère à thé de sel**
- ½ cuillère à thé de bicarbonate de soude**
- 2 œufs, légèrement battus**
- 5 cuillères à soupe d'huile végétale**
- 1 tasse de lait, selon la texture de la pâte**

Donne 4 ou 5 gaufres

1. Mélangez tous les ingrédients dans un grand bol. Remuez bien pour obtenir un mélange homogène.
2. Faites un puits au milieu des ingrédients secs. Ajoutez-y les œufs et l'huile. Versez lentement le lait, en remuant constamment jusqu'à l'obtention d'une pâte épaisse.
3. Préchauffez le WafflePro® en mode : « **Surface croustillante/Intérieur moelleux** » en réglant le contrôle de la couleur à 4 ½ ou en mode « **Texture uniforme** » en réglant le contrôle de la couleur à 3 et demi.
4. Versez environ ½ tasse de pâte à gaufre sur la plaque à gaufre préchauffée. Fermez le couvercle et cuisez jusqu'à ce que le signal indique que la gaufre est prête.
5. Enlevez la gaufre et mettez-la sur une grille pendant environ 30 secondes, puis servez immédiatement.

Remarque : Les gaufres peuvent être gardées chaudes dans un four préchauffé à 150°C (300°F) de 5 à 10 minutes, mais il est possible que leur texture change.

Si vous préférez davantage les gaufres de style pain de maïs, substituez plus de farine de maïs à la farine dans la recette. ½ tasse de farine pour 1 ½ tasses de farine de maïs est idéale. Ajoutez plus de lait pour faire une pâte épaisse et cuisez comme indiqué.

DEUX RECETTES POUR LES AMOUREUX DU CHOCOLAT

Gaufres aux pépites de chocolat

Une gaufre légère pleine de surprises chocolatées qui deviendra certainement une des recettes préférées de votre famille.

- 2 tasses de farine tout usage**
- 2 cuillères à soupe de sucre**
- 2 cuillères à thé de poudre à pâte**
- ½ cuillère à thé de sel**
- 2 œufs, légèrement battus**
- 4 cuillères à soupe d'huile végétale**
- ½ tasse de petites pépites de chocolat**
- 1¼ tasse de lait**

Donne 4 ou 5 gaufres environ

1. Mélangez tous les ingrédients dans un grand bol. Remuez bien pour obtenir un mélange homogène.
2. Ajoutez les œufs et l'huile, puis versez lentement le lait tout en remuant constamment à l'aide d'une spatule en caoutchouc. Ajoutez juste assez de lait pour obtenir une pâte qui forme un petit monticule lorsqu'on la verse. Ajoutez les pépites de chocolat et remuez pour les répartir uniformément.
3. Préchauffez le WafflePro® en mode : « **Surface croustillante/Intérieur moelleux** » en réglant le contrôle de la couleur à 4 ou en mode « **Texture uniforme** » en réglant le contrôle de la couleur à 3 et demi.
4. Versez ½ tasse de pâte à gaufre sur la plaque à gaufre préchauffée. Fermez le couvercle et cuisez jusqu'à ce que le signal indique que la gaufre est prête.
5. Enlevez la gaufre et mettez-la sur une grille pour qu'elle refroidisse pendant environ 30 secondes, puis servez immédiatement.
6. Cette pâte peut laisser un peu de chocolat fondu sur les plaques. Pour les nettoyer, laissez refroidir le WafflePro® et essuyez le chocolat avec un chiffon humide chaud.

Remarque : Les gaufres peuvent être gardées chaudes dans un four préchauffé à 150°C (300°F) de 5 à 10 minutes, mais il est possible que leur texture change.

Pour des gaufres plus légères, on peut, dans cette recette, séparer les blancs des jaunes d'œufs et ajouter les jaunes à la pâte en même temps que le lait. Les blancs peuvent être battus en neige, puis incorporés à la pâte.

Gaufres brownies

L'enfant qui est en chacun de nous va adorer ces gaufres, que ce soit en collation lors du goûter ou bien en dessert cuit sur commande. Pour ajouter encore au plaisir, servez-les avec de la crème fouettée ou dans un Sundae Brownie avec de la crème glacée et un nappage de caramel chaud. Superbe!!

3 oz ou 3 carrés de chocolat non sucré fondu

½ tasse (8 cuillères à soupe) de beurre ou de matière grasse, fondu(e)

3 œufs

½ cuillère à thé de sel

⅔ de tasse de sucre

1 cuillère à thé de vanille

1 ½ tasses de farine tout usage

Entre ½ et ¾ tasse de noix hachées (ou de pacanes)

¾ tasse de lait

Du sucre à glacer, facultatif

Donne 4 ou 5 gaufres

1. Préchauffez le WafflePro® en mode : « **Surface croustillante/Intérieur moelleux** » en réglant le contrôle de la couleur à 4 et demi ou en mode « **Texture uniforme** » en réglant le contrôle de la couleur à 3 et quart.
2. Mettez le chocolat et le beurre ou la matière grasse dans une petite casserole. Faites fondre à feu doux. Réservez et laissez refroidir.
3. Dans un autre bol, battez les œufs avec le sel jusqu'à ce qu'ils éclaircissent. Ajoutez le sucre et la vanille. Battez à la main, puis incorporez la préparation de chocolat refroidie.
4. Incorporez la farine et les noix. Ajoutez doucement juste assez de lait pour faire une pâte épaisse que l'on puisse verser à la louche sur la plaque.
5. Versez à la cuillère environ ½ tasse de pâte à gaufre sur la plaque à gaufre préchauffée. Fermez le couvercle et cuisez jusqu'à ce que le signal indique que la gaufre est prête.
6. Enlevez la gaufre et servez immédiatement. Saupoudrez de sucre à glacer au besoin.

Remarque : Les gaufres brownies se conserveront bien durant plusieurs jours si elles sont enveloppées dans un film plastique.

CONSIGNES DE SÉCURITÉ POUR LE CORDON D'ALIMENTATION

Un court cordon d'alimentation est fourni avec cet appareil pour éviter que quelqu'un ne s'emmêle ou ne trébuche avec un câble plus long, renversant le WafflePro® et son contenu brûlant. Bien que Edge-Craft les déconseille, des rallonges existent et peuvent être utilisées si des précautions sont prises. Si une rallonge électrique est utilisée, l'intensité mentionnée sur la rallonge doit être d'au moins 10 ampères. Le câble plus long devra être disposé de manière à ce qu'il ne pende pas au-dessus des rebords d'une table ou d'un comptoir afin qu'il ne puisse pas être tiré par des enfants ou des animaux domestiques et qu'on ne puisse pas trébucher dessus.

NETTOYAGE ET RANGEMENT

Avant de nettoyer le WafflePro®, débranchez toujours le cordon d'alimentation. Attendez que le WafflePro® soit à température ambiante. Ne lavez jamais l'appareil sous l'eau. S'il vous semble nécessaire de nettoyer les surfaces de cuisson, utilisez une brosse souple, un coton-tige humide ou un chiffon souple humide. N'utilisez jamais d'outils pointus ou coupants car ils pourraient endommager les surfaces anti-adhésives. La partie extérieure peut être nettoyée sans risque avec un détergent doux et un chiffon doux humide, un coton tige ou une petite brosse souple. Utilisez ensuite un chiffon humide, puis séchez avec un chiffon doux sec.

Rangez le cordon d'alimentation sous la base comme illustré à la figure 3 et insérez l'extrémité du câble (c'est-à-dire la bride du cordon à côté de la prise) dans la fente en plastique sous le coté gauche du WafflePro®. Vous trouverez plus commode de ranger l'appareil verticalement, debout sur le coté plat de la charnière comme illustré.

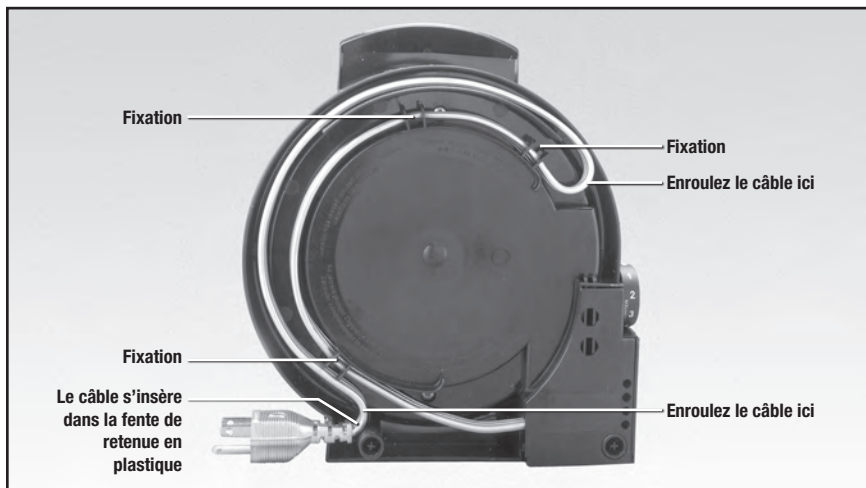


Figure 3. Fixations pour le câble sous la base. Le WafflePro® se range debout comme illustré.

MAINTENANCE

Cet appareil est destiné à un usage domestique uniquement. L'appareil ne comporte pas de pièces remplaçables par l'utilisateur. La maintenance doit être confiée à du personnel qualifié.

Si un service de maintenance s'avérait nécessaire, veuillez renvoyer votre WafflePro® à EdgeCraft Corporation, où les coûts de réparation ou de réglages électriques ou mécaniques peuvent être estimés avant que la réparation ne soit entreprise. Si la panne survient pendant la période de garantie, la maintenance sera éventuellement gratuite.

Veuillez indiquer votre adresse pour la réexpédition ainsi qu'une brève description du problème ou des dégâts du gaufrier sur une feuille à part à l'intérieur du colis.

EdgeCraft
World Leader in Cutting Edge Technology®

EdgeCraft Corporation
825 Southwood Road, Avondale, PA 19311 U.S.A.
Customer Service (800) 342-3255 or 610-268-0500

Conforms to UL Std. 1083 Certified to CAN/CSA Std. C22.2 No. 64-M91
© EdgeCraft Corporation 2012

H12

www.chefschoice.com

Printed in China.

W831659