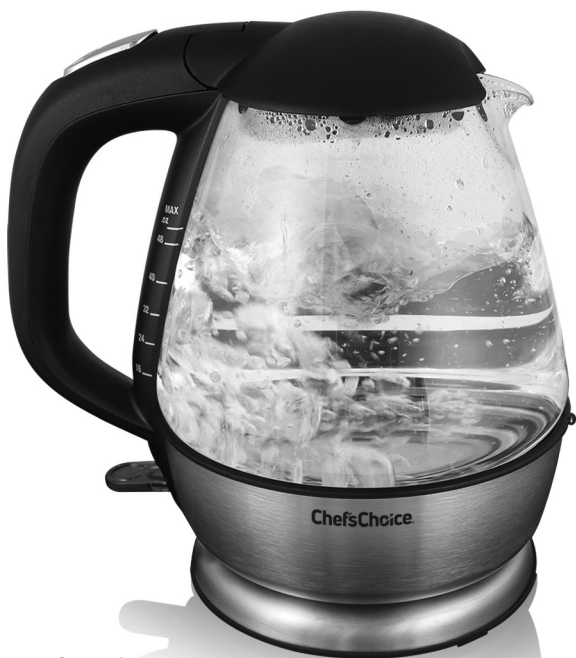


Chef'sChoice®

CORDLESS ELECTRIC GLASS KETTLE

680 | Kettle

READ THESE INSTRUCTIONS BEFORE USE.
IT IS ESSENTIAL THAT YOU FOLLOW THESE
INSTRUCTIONS TO ACHIEVE OPTIMUM RESULTS.



IMPORTANT SAFEGUARDS

When using electrical appliances, basic safety precautions should always be followed including the following:

1. Read all instructions carefully.
2. Do not touch hot surfaces. Always lift by handle or knob on lid.
3. To protect against fire, electric shock and injury to persons, do not immerse cord, plug, Kettle or Kettle base in water or other liquid.
4. Close supervision is necessary when used by children, handicapped or infirm.
5. Always unplug the base when not in use in order to avoid accidental electrical shock. Allow the Kettle to cool before cleaning.
6. Do not operate the Kettle with a damaged cord, or plug, or after the Kettle malfunctions or has been damaged in any manner. Return Kettle to The Legacy Companies, Service Department for examination, repair or adjustment.
7. The use of accessory attachments not recommended by The Legacy Companies may result in fire, electric shock or injury to persons.
8. Do not use Kettle outdoors.
9. Do not let power cord hang over edge of table or counter or touch hot surfaces.
10. Always place the Kettle on the base before turning on its power switch. After use, turn power switch to "OFF" position (O) or make sure it has switched off automatically before attempting to unplug the power cord.
11. Do not use this Kettle or base unit for other than intended use.

12. Do not attempt to plug any device other than designated Kettle into the base unit.
13. Do not place base or Kettle on or near hot gas or electric burner or in a heated oven.
14. Do not operate Kettle unless lid is fully closed.
15. Do not operate kettle without filter screen (See Fig. 1 #10 and Fig. 2) securely in place.
16. Never fill Kettle while it rests on the base unit.
17. Do not turn power “ON” unless Kettle contains at least 16 ounces (0.5 liters) of water.
18. **CAUTION:** Unplug IMMEDIATELY if water spills onto bottom of Kettle, onto Kettle base or into connector, to avoid electrical shock.
19. **CAUTION:** Avoid the risk of being scalded. Hot or boiling water and steam can cause serious burns. Extreme caution must be used when moving an appliance containing hot water or other hot liquids. Never fill Kettle above the “MAX” line shown on the water level gauge. Open the lid carefully when the water is boiling. Always pour slowly and carefully.
20. This appliance is not intended for use by persons (including children) with reduced physical sensory or mental capabilities, or lack of experience and knowledge, unless they have been given supervision or instruction concerning.
21. Only operate Kettle on a dry, flat, non-slip surface.
22. For household use only.

SAVE THESE INSTRUCTIONS.

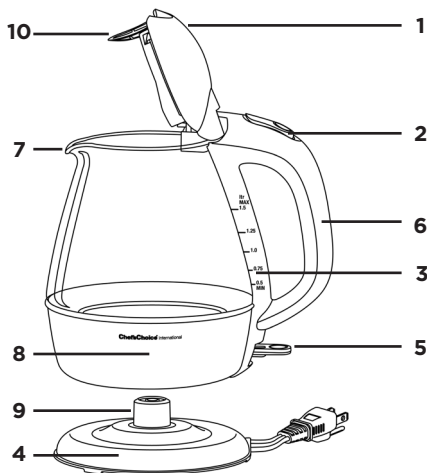
FIRST USE OF THE ELECTRIC KETTLE

- Read all safety and operating instructions carefully before using the Kettle for the first time. An adult should provide close supervision if Kettle is being used by children or handicapped or infirm.
- For new Kettles, do not use the first filling of boiled water, discard it, rinse out the Kettle and refill with fresh water.

USING YOUR CHEF'SCHOICE® ELECTRIC KETTLE

- The appliance has two parts:
 - a) Base unit with electrical connector and power cord.
 - b) Removable Kettle with electrical adapter.
- The Kettle can only be used with the power base unit supplied with the kettle. Base unit and Kettle must bear the same model number. The Kettle lid must be fully closed when heating the water. It is equipped with a snap lock so it does not open unintentionally while the water is being poured. The lid can be easily opened with only one hand. Simply grasp the handle and push on the lid release button with the thumb (never force lid open, always use the button).
- To close the lid, press down lightly on it until it snaps completely shut.
- Remove Kettle from the base. Fill Kettle with at least 16 ounces (0.5 liters) of water to prevent it from running dry during the boiling process. Do not fill the Kettle above the maximum line shown on the water gauge to prevent boiling water from splashing out through the spout. If overfilled and water flows down outside of Kettle and onto its bottom, shut "OFF" and unplug unit, empty the Kettle, dry base thoroughly and refill Kettle carefully before setting onto base unit. Water on the bottom of the Kettle can lead to an electric shock. (See further instructions.)
- After filling with water, place the Kettle on the base unit.
- The Kettle is equipped with a convenient automatic steam activated switch-off device, which detects the presence of steam and deactivates the appliance shortly after the boiling point is reached. *For the proper functioning of the automatic shut-off device, it is necessary that the lid be completely closed.* **NOTE:** This automatic switch-off mechanism flips the "ON/OFF" (I/O) switch to the "OFF" (O) position when the water boils. Upon automatic shut-off you may see a few drops of water on the base unit. This condensate will not impair the operation of the Kettle nor its safety.
- Unwind the power cord to the desired length before plugging the cord into a powered outlet.
- This appliance has a three way grounded power plug. Do not attempt to defeat this safety feature by using a three-to-two way adapter. If your receptacle is only two way without a ground seek help from a licensed electrician.
- A short power supply cord is provided with this appliance to reduce the risk of someone becoming entangled in or tripping over a longer cord and causing the Kettle to overturn, discharging its hot contents. While The Legacy Companies does not recommend it, extension cords are available and may be used if care is exercised in their use. If an extension cord is used, it should be a grounded three conductor cord rated at not less than 15 amperes and match the configuration of the plug. The longer cord should be arranged so that it will not drape over the countertop or tabletop where it can be pulled on or tipped over by children or the infirm.

- Plug base unit into a three way grounded 110-120 volt, AC outlet.
- The Kettle power switch (5) has 2 positions - "ON" (I) and "OFF" (O). Place Kettle on it's base and push the switch down to the "ON" position. The switch will illuminate to indicate the power is on.
- The Kettle normally switches off automatically within about 30 seconds after the boiling point is reached.
- The time required for the Kettle to automatically switch off after the boiling point is reached will vary depending on the amount of water in the Kettle; it will switch off faster after boiling if filled to its "maximum" level than if filled to only a minimum level.
- If only warm water is desired, you can interrupt the heating procedure at any time by simply lifting the kettle off of its power base. The power switch will shut "OFF". In order to restart the heating, place the kettle on its power base and depress the ON/OFF switch. The switch will light indicating that the power is on.
- The Kettle can be lifted easily from the base for pouring or serving. The pouring spout has been specially designed to easily pour even small amounts of water.
- Replace the Kettle on the base unit when finished pouring.
- Whenever the kettle is lifted off its base the power switch must be pushed down to the "ON" position again if you wish to restart the heating of the water. Always check the water level before turning the power switch "ON". Make certain there are at least 16 ounces (0.5 liters) of water in Kettle before turning switch "ON". Avoid boiling the kettle dry.



1. Lid
2. Lid Release Button
3. Water Level Gauge
4. Base Unit
5. Illuminated Power Switch
Pull up to power "OFF"
Push down to power "ON"
6. Handle
7. Spout
8. Stainless Steel Body
9. 360° Power Connector
10. Filter Screen

Figure 1.

- Avoid spilling water on the base unit. In the event the base unit becomes wet, proceed as follows:
 - disconnect the power cord from the power outlet.
 - invert base unit and shake out all water.
 - dry the base unit with a dry absorbent cloth.
 - place the Kettle on the base and re-insert the power cord into the power outlet.

CAUTION: The Kettle always gets hot during operation. **DO NOT** touch the glass body or lid. Lift the Kettle only by the handle and open the lid only by using the lid release button or knob. Exercise care to avoid contact with steam or the water when opening or closing the lid while the Kettle is still hot or contains hot water.

CARE AND MAINTENANCE OF YOUR CHEF'SCHOICE® ELECTRIC KETTLE

- The Chef'sChoice® Kettle is designed specifically for heating water. *Do not attempt to heat anything other than water in the Kettle. With liquids and mixtures of low water content, the automatic steam activated shut-off switch may not function properly and the Kettle may be damaged.*
- Before cleaning, make sure power switch is turned "OFF", then remove the Kettle from its base unit. Unplug the base unit.
- Always wait until the Kettle has fully cooled to room temperature before cleaning.
- To avoid scratching, clean the outside of the Kettle with a soft cloth only. Never use abrasive cleanser.
- **Never use abrasive cleansers or abrasive pads on either the inside or outside glass surface of this product.**
- The interior of the Kettle can be cleaned by decalcification at regular intervals (see next page).
- Rinse out the Kettle at regular intervals and after extended non-use. Do not immerse.
- Do not attempt to clean any part of the Kettle or base in the dishwasher.

DECALCIFICATION

In areas with a high calcium content in the water supply, the Kettle should be decalcified at regular intervals.

- Fill the Kettle with a solution of 16 oz. water and 10 tablespoons of vinegar and bring to a boil.
- When process is complete, rinse the Kettle twice with clean water.
- Commercially available liquid decalcifiers may also be used. Follow the instructions provided with decalcifier by its manufacturer.

Regular decalcification will keep the Kettle operating at peak performance and electrical efficiency. It will also extend the life of the Kettle.

Over time slightly brownish stains may appear inside of the Kettle. This is not rusting of the Kettle, it is a result of high iron content in the water supply, often referred to as boiler scale. These stains can be easily wiped away with a cloth or mild abrasive. Rinse Kettle thoroughly after decalcification or cleaning.

SCALE FILTER

To prevent loose particles of limescale being poured into your beverage, the Kettle is equipped with a scale filter behind the spout (Figure 2). The filter is removable for cleaning and replacement. **Do not operate the kettle without this filter in place.** If this filter is removed, the function of the steam switch will be compromised.

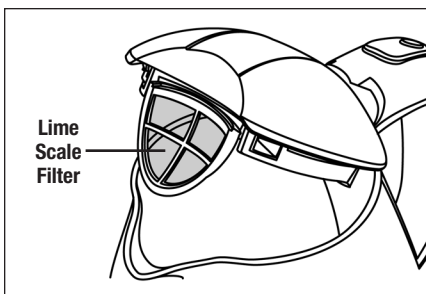


Figure 2.

BOIL-DRY PROTECTION

CAUTION: Avoid boiling the Kettle dry. Never operate Kettle with less than 16 ounces of water. This Kettle is equipped with a pair of self-resetting “boil-dry” switches that protect the appliance in the event of improper use. If heating is accidentally started without sufficient water or if the water evaporates completely, the appliance is automatically switched OFF by the “boil-dry” protection. Try to avoid allowing the Kettle to “boil-dry”.

If the “boil-dry” protection is actuated, disconnect the power cord and allow the Kettle to cool down for a few minutes and then refill with at least 16 ounces of cold water. The Kettle will now operate normally. Frequent “boil-dry” of the Kettle may reduce its usable life. (**CAUTION:** Small amounts of hot water remaining in the Kettle can cause scalding injuries).

SERVICE

This appliance is for household use only. No user-serviceable parts are inside. In the event service is needed, return your Kettle to The Legacy Companies, where the cost of repair can be estimated before the repair is undertaken.

Please include your return address and a brief description of the problem or damage to the Kettle on a separate sheet inside the box. PLEASE CAREFULLY PACKAGE THE KETTLE TO AVOID SHIPPING DAMAGE.

Send your Kettle insured and postage prepaid to:

The Legacy Companies
149 Cleveland Drive, Paris, KY 40361 U.S.A.
Consumer Support 1-800-342-3255
chefschoice.com

Retain evidence of shipping for your protection.

Conforms to: UL 1082 Certified to CAN/CSA: C22.2 #64

120 volts/60Hertz, 1500 watts

© 2020 The Legacy Companies

E20

E/F/S

T680001

Limited Warranty: Used with normal care, this EdgeCraft product is guaranteed against defective material and workmanship for a period of one (1) year from the date of original purchase (“Warranty Period”). We will repair or replace, at our option, any product or part that is defective in material or workmanship without charge if the product is returned to us postage prepaid with dated proof of purchase within the Warranty Period. This warranty does not apply to commercial use or any product abuse. ALL IMPLIED WARRANTIES, INCLUDING IMPLIED WARRANTIES OF MERCHANTABILITY AND FITNESS FOR A PARTICULAR PURPOSE, ARE LIMITED TO THE WARRANTY PERIOD. EDGE CRAFT CORPORATION SHALL NOT BE LIABLE FOR ANY INCIDENTAL OR CONSEQUENTIAL DAMAGES. Some states do not allow limitations on how long an implied warranty lasts and some states do not allow exclusions or limitation of incidental or consequential damages, so the above limitations or exclusions may not apply to you. This Limited Warranty gives you specific legal rights, and you may also have other rights which vary from state to state.

Chef'sChoice®

BOUILLOIRE ÉLECTRIQUE EN VERRE SANS FIL

680 | Bouilloire

VEUILLEZ LIRE CES INSTRUCTIONS AVANT L'INSTALLATION.
IL EST ESSENTIEL DE RESPECTER CES INSTRUCTIONS
POUR OBTENIR LES MEILLEURS RÉSULTATS.



MESURES DE PROTECTION IMPORTANTES

Lors de l'utilisation d'un appareil électroménager, il est impératif de toujours respecter des précautions de base, notamment les précautions suivantes :

1. Lisez attentivement toutes les instructions.
2. Ne touchez pas les surfaces chaudes. Soulevez toujours par la poignée ou le bouton situé sur le couvercle.
3. Pour vous protéger du feu, des décharges électriques et des blessures, n'immergez pas le câble, la fiche, la bouilloire ou le socle de la bouilloire dans l'eau ou tout autre liquide.
4. Une surveillance étroite est de rigueur lors de l'utilisation de la bouilloire par des enfants, des personnes handicapées ou infirmes.
5. Afin d'éviter toute décharge électrique accidentelle, débranchez toujours le socle lorsque la bouilloire n'est pas utilisée. Laissez la bouilloire refroidir avant de la nettoyer.
6. N'utilisez pas une bouilloire dont le câble d'alimentation ou la prise est endommagé(e), ou qui a présenté un défaut de fonctionnement, qui est tombée ou qui est endommagée de quelque manière que ce soit. Retournez la bouilloire au service après-vente d'Legacy Companies en vue de son examen, de sa réparation ou de son réglage.
7. L'utilisation d'accessoires non recommandés par The Legacy Companies risque de causer un incendie, une décharge électrique ou des blessures.
8. N'utilisez pas la bouilloire à l'extérieur.
9. Ne laissez pas le câble d'alimentation pendre par-dessus le bord d'une table ou d'un comptoir et ne le laissez pas toucher des surfaces chaudes.
10. Placez toujours la bouilloire sur le socle avant d'allumer son interrupteur d'alimentation. Après utilisation, placez l'interrupteur d'alimentation en position « OFF » (O) ou assurez-vous que la bouilloire s'est éteinte automatiquement avant de tenter de débrancher son câble d'alimentation.
11. N'utilisez pas cette bouilloire ou ce socle à des fins autres que celles prévues.

12. N'essayez pas de brancher un autre appareil que la bouilloire désignée à son socle.
13. Ne placez pas le socle ou la bouilloire sur ou près d'un réchaud électrique ou à gaz, ou dans un four chaud.
14. N'utilisez pas la bouilloire tant que son couvercle n'est pas complètement fermé.
15. N'utilisez pas la bouilloire sans mettre en place la grille du filtre (Voir Fig. 1 #10 et Fig. 2).
16. Ne remplissez jamais la bouilloire lorsque celle-ci repose sur son socle.
17. Ne mettez pas la bouilloire en marche (« ON ») à moins qu'elle ne contienne au moins 0,5 litre (16 onces) d'eau.
18. **ATTENTION** : Pour éviter toute décharge électrique, débranchez IMMÉDIATEMENT la bouilloire en cas de déversement d'eau sur le fond de la bouilloire, sur la socle de la bouilloire ou dans le connecteur.
19. **ATTENTION** : Évitez de vous ébouillanter. L'eau chaude ou bouillante ainsi que la vapeur peuvent entraîner des brûlures graves. Une prudence extrême doit être observée lors du déplacement d'un appareil contenant de l'eau ou d'autres liquides chauds. Ne remplissez jamais la bouilloire au-delà de la ligne « MAX » située sur l'indicateur de niveau d'eau. Ouvrez le couvercle avec précaution lorsque l'eau bout. Versez toujours doucement et prudemment.
20. Cet appareil n'est pas conçu pour une utilisation par des personnes (y compris des enfants) dont les capacités physiques, sensorielles ou mentales sont diminuées, ou qui manquent d'expérience et de savoir-faire, à moins qu'elles aient reçu des instructions relatives à l'utilisation de l'appareil ou soient sous la surveillance d'un tiers.
21. N'utilisez la bouilloire que sur des surfaces sèches, planes et non glissantes.
22. Pour un usage domestique uniquement.

CONSERVEZ CES INSTRUCTIONS.

PREMIÈRE UTILISATION DE LA BOUILLIÈRE ÉLECTRIQUE

- Lisez attentivement toutes les instructions relatives à la sécurité et à l'utilisation avant de vous servir de la bouilloire pour la première fois. Un adulte devrait superviser attentivement toute utilisation de la bouilloire par un enfant ou une personne handicapée ou infirme.
- Pour les bouilloires neuves, n'utilisez pas le premier remplissage d'eau bouillie, jetez l'eau, rincez la bouilloire et remplissez-la à nouveau.

UTILISATION DE VOTRE BOUILLIÈRE ÉLECTRIQUE CHEF'SCHOICE®

- L'appareil comporte deux parties :
 - a) Le socle équipé du connecteur électrique et du câble d'alimentation.
 - b) La bouilloire amovible équipée de l'adaptateur électrique.
- La bouilloire ne peut être utilisée qu'avec le socle d'alimentation fourni avec la bouilloire. Le socle et la bouilloire doivent porter le même numéro de modèle. Le couvercle de la bouilloire doit être complètement fermé lorsque l'eau chauffe. Elle est équipée d'un couvercle emboîtant permettant d'éviter toute ouverture accidentelle lorsque l'eau est versée. Le couvercle peut facilement être ouvert à l'aide d'une seule main. Il vous suffit de saisir la poignée puis d'appuyer sur le bouton d'ouverture du couvercle à l'aide de votre pouce (ne forcez jamais l'ouverture du couvercle, utilisez toujours le bouton).
- Pour fermer le couvercle, appuyez légèrement dessus jusqu'à ce qu'il se verrouille en position fermée.
- Retirez la bouilloire de son socle. Remplissez la bouilloire avec au moins 16 onces (0,5 litre) d'eau pour éviter qu'elle ne s'assèche lors de l'ébullition. Ne remplissez pas la bouilloire au-delà de la ligne représentant la capacité maximale située sur l'indicateur de niveau d'eau, afin d'éviter que de l'eau bouillante ne soit expulsée par le bec verseur. En cas de remplissage excessif et d'écoulement d'eau en dehors de la bouilloire et sur son socle, éteignez l'appareil (« OFF ») et débranchez-le, videz la bouilloire, séchez soigneusement le socle et remplissez de nouveau la bouilloire avant de l'installer sur son socle. La présence d'eau sur le dessous de la bouilloire peut entraîner une décharge électrique. (Voir les instructions ci-après.)
- Après l'avoir remplie d'eau, placez la bouilloire sur son socle.
- La bouilloire est équipée d'un dispositif pratique d'arrêt automatique activé par la vapeur, qui détecte la présence de vapeur et désactive rapidement l'appareil après que l'ébullition se produit. *Pour permettre un fonctionnement correct du dispositif d'arrêt automatique, il est nécessaire que le couvercle soit complètement fermé.* **REMARQUE :** Ce mécanisme d'arrêt automatique fait basculer l'interrupteur « ON/OFF » (I/O) sur la position « OFF » (O) (position haute) lorsque l'eau bout. Dès l'arrêt automatique, vous pourrez observer quelques gouttes d'eau sur le socle. Cette condensation n'altère ni le bon fonctionnement de la bouilloire, ni sa sécurité.
- Déroulez le câble d'alimentation à la longueur souhaitée avant de brancher la fiche du câble à une prise électrique.
- Cet appareil possède une fiche de mise à la terre à trois broches. N'essayez pas de contourner la fonction de sécurité en utilisant un adaptateur de trois à deux broches. Si votre prise est à deux broches et ne possède pas de mise à la terre, consultez un électricien qualifié.
- Un câble d'alimentation court est fourni avec cet appareil pour éviter que quelqu'un ne s'emmêle ou ne trébuche en raison d'un câble trop long, risquant de renverser la bouilloire et son contenu bouillant. Bien qu'« The Legacy Companies » les déconseille, des rallonges sont disponibles et peuvent être utilisées avec précaution. Si une rallonge est utilisée, elle devrait être mise à la terre, avoir trois conducteurs supportant au moins 15

ampères et correspondre à la configuration de la fiche. Le câble plus long devra être disposé de manière à ce qu'il ne pende pas par-dessus le rebord d'une table ou d'un comptoir, et qu'il ne puisse pas être tiré par des enfants ou une personne infirme.

- Branchez le socle à une prise de courant mise à la terre de 110-120 volts CA.
- L'interrupteur de la bouilloire (5) possède deux positions - « ON » (allumé) (I) et « OFF » (éteint) (O). Placez la bouilloire sur son socle et abaissez l'interrupteur en position « ON ». L'interrupteur s'allumera afin d'indiquer que l'appareil est en marche.
- Normalement, la bouilloire s'éteint automatiquement dans les 30 secondes environ suivant l'ébullition.
- Le temps nécessaire à l'extinction automatique de la bouilloire suivant l'ébullition varie en fonction de la quantité d'eau dans la bouilloire ; elle s'éteindra plus rapidement suivant l'ébullition si elle est remplie à son niveau « maximum » que si elle n'est remplie qu'à un niveau minimum.
- Pour obtenir de l'eau chaude non bouillante, vous pouvez interrompre la procédure de chauffage à tout moment en vous contentant de soulever la bouilloire de son socle d'alimentation. L'interrupteur d'alimentation basculera sur « OFF ». Pour redémarrer le chauffage, placez la bouilloire sur son socle d'alimentation et appuyez sur l'interrupteur ON/OFF. L'interrupteur s'allumera afin d'indiquer que l'appareil est en marche.
- La bouilloire peut être soulevée facilement de son socle pour verser ou servir. Le bec verseur a été spécialement conçu pour verser facilement même de petites quantités d'eau.
- Remplacez la bouilloire sur son socle lorsque vous avez fini de servir.
- Chaque fois que la bouilloire est soulevée de son socle, l'interrupteur d'alimentation doit être basculé en position « ON » pour redémarrer le chauffage de l'eau. Vérifiez toujours le niveau d'eau avant de basculer l'interrupteur d'alimentation sur « ON ». Assurez-vous qu'il y a au moins 16 onces (0,5 litre) d'eau dans la bouilloire avant de placer l'interrupteur sur « ON ». Évitez de faire bouillir la bouilloire à sec.

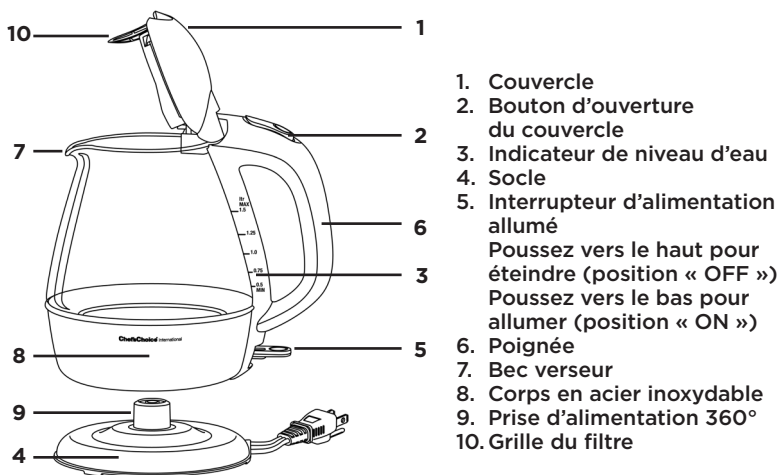


Figure 1.

- Évitez de renverser de l'eau sur le socle. Dans le cas où le socle devient humide, procédez comme suit :
 - débranchez le câble d'alimentation de la prise de courant.
 - renversez le socle et secouez pour évacuer toute l'eau.
 - séchez le socle à l'aide d'un chiffon absorbant sec.
 - placez la bouilloire sur son socle et réinsérez le câble d'alimentation dans la prise de courant.

ATTENTION : La bouilloire chauffe toujours pendant son fonctionnement. **NE** touchez **PAS** le corps ou le couvercle en verre. Ne soulevez la bouilloire que par la poignée et n'ouvrez le couvercle qu'à l'aide du bouton d'ouverture du couvercle. Veillez à éviter tout contact avec la vapeur ou l'eau lorsque vous ouvrez ou fermez le couvercle et que la bouilloire est encore chaude ou contient de l'eau chaude.

SOIN ET ENTRETIEN DE VOTRE BOUILLOIRE ÉLECTRIQUE CHEF'SCHOICE®

- La bouilloire Chef'sChoice® est spécialement conçue pour chauffer l'eau. N'essayez pas de chauffer autre chose que de l'eau dans la bouilloire. *Avec des liquides et mélanges à faible teneur en eau, l'interrupteur d'arrêt automatique activé par la vapeur peut ne pas fonctionner correctement et la bouilloire est susceptible d'être endommagée.*
- Avant nettoyage, assurez-vous que l'interrupteur d'alimentation est bien en position « OFF », puis retirez la bouilloire de son socle. Débranchez le socle.
- Attendez toujours que la bouilloire refroidisse complètement jusqu'à température ambiante avant de la nettoyer.
- Pour éviter de la rayer, ne nettoyez l'extérieur de la bouilloire qu'à l'aide d'un chiffon doux. N'utilisez jamais de nettoyant abrasif.
- **N'utilisez jamais de nettoyants abrasifs ou de tissus abrasifs sur la surface intérieure ou extérieure en verre de ce produit.**
- L'intérieur de la bouilloire peut être nettoyé par détartrage à intervalles réguliers (voir la page suivante).
- Rincez la bouilloire à intervalles réguliers et lorsque vous ne l'avez pas utilisée pendant une période prolongée. Ne pas immerger dans l'eau.
- N'essayez pas de nettoyer une quelconque partie de la bouilloire ou de son socle au lave-vaisselle.

DÉTARTRAGE

Dans les zones où l'eau courante possède une teneur élevée en calcium, la bouilloire doit être détartrée à intervalles réguliers.

- Remplissez la bouilloire avec une solution d'1/2 litre d'eau (16 oz.) et 10 cuillères à soupe de vinaigre, puis portez le tout à ébullition.
- Une fois le processus terminé, rincez deux fois la bouilloire avec de l'eau propre.
- Des solutions liquides détartrantes disponibles dans le commerce peuvent également être utilisées. Suivez les instructions fournies avec le détartrant par son fabricant.

Un détartrage régulier maintiendra le bon fonctionnement de la bouilloire à des performances et avec une efficacité électrique optimales. Cela permettra également de prolonger la durée de vie de la bouilloire.

Au fil du temps, des taches légèrement brunes peuvent apparaître à l'intérieur de la bouilloire. Cela n'est pas de la rouille, c'est le résultat d'une teneur élevée en fer de l'eau courante, souvent appelé « tartre ». Ces taches peuvent être facilement nettoyées avec un tissu ou un abrasif doux. Rincer soigneusement la bouilloire après tout détartrage ou nettoyage.

FILTRE DE DÉPÔT

Afin d'éviter que des particules de tartre soient versées dans votre boisson, la bouilloire est équipée d'un filtre de dépôt situé derrière le bec verseur (Figure 2). Le filtre est amovible afin de permettre son nettoyage et son remplacement. N'utilisez pas la bouilloire sans ce filtre en place. En l'absence de ce filtre, la fonction de commutation par détection de vapeur sera altérée.

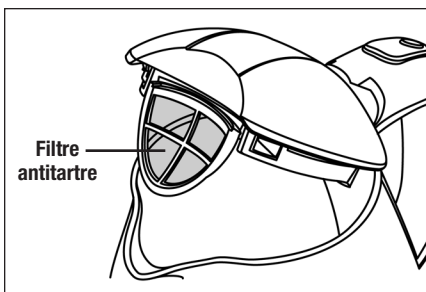


Figure 2.

PROTECTION CONTRE LE CHAUFFAGE À VIDE

ATTENTION : Évitez de faire bouillir la bouilloire à vide. Ne mettez jamais la bouilloire en marche si elle contient moins de 3 tasses d'eau. Cette bouilloire est équipée de deux interrupteurs de remise à zéro automatique en cas de chauffage à vide, permettant de protéger l'appareil en cas d'utilisation incorrecte. Si le chauffage est accidentellement activé sans qu'il y ait suffisamment d'eau ou que l'eau s'évapore complètement, l'appareil s'éteindra (« OFF ») automatiquement grâce à la protection contre le chauffage à vide. Le témoin lumineux ne restera pas allumé. Essayez d'éviter de laisser la bouilloire chauffer à vide.

Si la protection contre le chauffage à vide s'enclenche, débranchez le câble d'alimentation et laissez refroidir la bouilloire pendant quelques minutes, remplissez-la ensuite avec au moins 16 onces d'eau froide. La bouilloire fonctionnera alors normalement. Les chauffages à vide fréquents peuvent réduire la durée de vie de la bouilloire. (**ATTENTION :** De petites quantités d'eau chaude restant à l'intérieur de la bouilloire peuvent entraîner des brûlures).

MAINTENANCE

Cet appareil est destiné à un usage domestique uniquement. L'appareil ne comporte pas de pièces remplaçables par l'utilisateur. Dans le cas où un service de maintenance s'avérerait nécessaire, veuillez retourner votre bouilloire à la société The Legacy Companies, où le coût d'une réparation peut être estimé avant que la réparation ne soit effectuée.

Veuillez inclure votre adresse de retour et une brève description du problème ou du dommage à la bouilloire sur papier libre à l'intérieur de la boîte. **VEUILLEZ EMBALLER LA BOUILLOIRE AVEC PRÉCAUTION AFIN D'ÉVITER TOUT DOMMAGE LORS DE L'EXPÉDITION.**

Envoyez votre bouilloire assurée et avec les frais de port payés à l'adresse :

The Legacy Companies
149 Cleveland Drive, Paris, KY 40361 U.S.A.
Service à la clientèle : 1-800-342-3255
chefschoice.com

Conservez la preuve d'expédition pour votre protection.

Conforms to: UL 1082 Certified to CAN/CSA: C22.2 #64

120 volts/60Hertz, 1500 watts

© 2020 The Legacy Companies

E20

E/F/S

T680001

Garantie limitée : Dans le cadre d'une utilisation normale, ce produit EdgeCraft est garanti contre les matériaux défectueux et les vices de fabrication pendant une période d'un (1) an à compter de sa date d'achat initial (« Période de garantie »). Nous réparerons ou remplacerons, à notre discrétion, tout produit ou élément défectueux au niveau des matériaux ou comportant des vices de fabrication gratuitement si le produit nous est retourné par colis affranchi accompagné d'une preuve d'achat datée au cours de la période de garantie. Cette garantie ne s'applique pas à une utilisation commerciale ou à toute utilisation abusive du produit. **TOUTES LES GARANTIES IMPLICITES, Y COMPRIS LES GARANTIES IMPLICITES DE QUALITÉ MARCHANDE ET D'ADÉQUATION À UN USAGE PARTICULIER, SONT LIMITÉES À LA PÉRIODE DE GARANTIE. EDGE-CRAFT CORPORATION NE SERA PAS RESPONSABLE DES DOMMAGES ACCESSOIRES OU INDIRECTS.** Certains États n'autorisent pas les limitations de durée des garanties implicites et certains États n'autorisent pas les exclusions ou limitations des dommages accessoires ou consécutifs, de sorte que les limitations ou exclusions ci-dessus sont susceptibles de ne pas s'appliquer à votre cas particulier. Cette garantie limitée vous confère des droits spécifiques, et vous disposez éventuellement d'autres droits susceptibles de varier selon les États.

ChefsChoice®

HERVIDOR ELÉCTRICO DE VIDRIO Y SIN CABLE

680 | Hervidor

LEE ESTAS INSTRUCCIONES ANTES DE USARLO.
ES ESENCIAL QUE SIGAS ESTAS INSTRUCCIONES
PARA LOGRAR ÓPTIMOS RESULTADOS.



DISPOSICIONES DE SEGURIDAD IMPORTANTES

Al usar electrodomésticos deben seguirse siempre las precauciones básicas de seguridad, incluyendo las siguientes:

1. Leer todas instrucciones cuidadosamente.
2. Evitar contacto con superficies calientes. Siempre levantar por el asa o la perilla de la tapa.
3. Para proteger contra incendio, descargas eléctricas y lesiones personales, no sumergir el cable, enchufe ni la base del hervidor en agua u otro líquido.
4. Es necesaria una supervisión cercana cuando lo usan niños, discapacitados o enfermos.
5. Desenchufar siempre la base cuando no esté en uso y a fin de evitar una descarga eléctrica accidental. Dejar que el hervidor se enfríe antes de limpiarlo.
6. No operar el hervidor con un cable o enchufe dañado, ni después de que el aparato funcione mal ni cuando haya sido dañado de cualquier manera. Devolver el hervidor a The Legacy Companies Service Department para su revisión, reparación o ajuste.
7. El uso de accesorios no recomendados por The Legacy Companies puede causar incendio, descarga eléctrica, o lesiones a las personas.
8. No usar el hervidor en exteriores.
9. No dejar que el cable cuelgue del borde de una mesa o mostrador ni que entre en contacto con superficies calientes.
10. Colocar siempre el hervidor en la base antes de pulsar su interruptor de encendido. Después del uso, deslizar el interruptor de encendido a la posición "APAGADO" (O) o asegurarse de que se haya apagado automáticamente antes de intentar desconectar el cable de alimentación.
11. No usar el hervidor o la unidad base para otro uso que no sea el previsto.

12. No intentar enchufar ningún dispositivo que no sea el hervidor designado en la unidad base.
13. No colocar la base o el hervidor sobre o cerca de un quemador caliente, eléctrico o de gas, ni en un horno encendido.
14. No operar el hervidor a menos que la tapa esté completamente cerrada.
15. No operar el hervidor sin la malla del filtro (Ver Fig. 1 # 10 y Fig. 2) en su lugar.
16. Nunca llenar el hervidor mientras descansa sobre la unidad base.
17. No encenderlo a menos que el hervidor contenga al menos 16 onzas (0.5 litros) de agua.
- 18 **PRECAUCIÓN:** Desenchufar INMEDIATAMENTE si el agua se derrama en la parte inferior del hervidor, en la base del hervidor o en el conector, para evitar descargas eléctricas.
- 19 **PRECAUCIÓN:** Evitar el riesgo de ser escaldado. El agua caliente o hirviendo y el vapor pueden causar quemaduras graves. Proceder con extrema precaución al trasladar un equipo que contiene agua u otro líquido caliente. Nunca llenar el hervidor por encima de la línea «MAX» que se muestra en el medidor de nivel de agua. Abrir la tapa con cuidado cuando el agua esté hirviendo. Verter siempre lenta y cuidadosamente.
20. Este electrodoméstico no fue diseñado para usarse por personas (incluyendo niños) con capacidades físicas o mentales disminuidas, o carentes de experiencia y conocimientos, a menos que una persona responsable por la seguridad de ellos se encargue de supervisarlos o darles instrucciones.
21. Usar el hervidor únicamente sobre una superficie seca, plana y antideslizante.
22. Sólo para uso en el hogar.

GUARDA ESTAS INSTRUCCIONES.

PRIMER USO DEL HERVIDOR ELÉCTRICO

- Leer todas las instrucciones de seguridad y operación cuidadosamente antes de usar el hervidor por primera vez. Un adulto debe supervisar de cerca si el hervidor está siendo utilizado por niños, discapacitados o enfermos.
- Para los hervidores nuevos, no usar el primer relleno de agua hervida, desecharlo, enjuagar el hervidor y volver a llenarlo con agua fresca.

USO DEL HERVIDOR ELÉCTRICO CHEF'SCHOICE®

- El equipo tiene dos partes:
 - a) Unidad base con conector eléctrico y cable de alimentación.
 - b) Hervidor extraíble con adaptador eléctrico.
- El hervidor solo puede usarse con la unidad de base de alimentación suministrada. La unidad base y el hervidor deben tener el mismo número de modelo. La tapa del hervidor debe estar completamente cerrada al calentar el agua. Está equipado con un cierre a presión para que no se abra involuntariamente mientras se vierte el agua. La tapa se puede abrir fácilmente con una sola mano. Simplemente agarre el asa y presione el botón de apertura de la tapa con el pulgar (nunca fuerce la tapa para abrirla, usar siempre el botón).
- Para cerrar la tapa, presionar suavemente hacia abajo hasta que se cierre completamente.
- Retirar el hervidor de la base. Llenar el hervidor con al menos 16 onzas (0.5 litros) de agua para evitar que se seque durante el proceso de ebullición. No llenar el hervidor por encima de la línea máxima que se muestra en el medidor de agua para evitar que salga agua hirviendo por la boquilla. Si se sobrellena y el agua fluye hacia afuera del hervidor y hacia su fondo, apagar y desconectar la unidad, vaciar el hervidor, secar la base completamente y volverlo a llenar cuidadosamente antes de colocarlo en la unidad base. El agua en el fondo del hervidor puede provocar una descarga eléctrica. (Ver más instrucciones).
- Después de llenar con agua, colocar el hervidor en la unidad base.
- El hervidor está equipado con un conveniente dispositivo de apagado automático activado por vapor, que detecta la presencia de vapor y desactiva el aparato poco después de alcanzar el punto de ebullición. *Para el correcto funcionamiento del dispositivo de apagado automático, es necesario que la tapa esté completamente cerrada.* **NOTA:** Este mecanismo de apagado automático mueve el interruptor "ON / OFF" (I/O) a la posición "OFF" (O) cuando el agua hierve. Con el apagado automático, puede ver algunas gotas de agua en la unidad base. Este condensado no afectará el funcionamiento del hervidor ni su seguridad.
- Desenrollar el cable de alimentación hasta la longitud deseada antes de enchufar el cable a un tomacorriente.
- Este aparato tiene un enchufe de tres vías con conexión a tierra. No intentar pasar por alto esta función de seguridad utilizando un adaptador de tres a dos vías. Si el receptáculo es solo de dos vías sin conexión a tierra, buscar ayuda de un electricista con licencia.
- Se proporciona un cable de alimentación corto con este equipo para reducir el riesgo de que alguien se enrede o se tropiece con un cable más largo y provoque que el hervidor se voltee y descargue su contenido caliente. Si bien The Legacy Companies no lo recomienda, los cables de extensión están disponibles y se pueden usar si se tiene cuidado al usarlos. Si se usa un cable de extensión, debe ser un cable de tres conductores con conexión a tierra con una clasificación de no menos de 15 amperios y que coincida con la configuración del enchufe. El cable más largo debe colocarse de modo que no caiga sobre la encimera o la mesa donde los niños o los enfermos puedan tirarlo o volcarlo.
- Enchufar la unidad base en una toma de CA de 110-120 voltios con conexión a tierra de tres vías.

- El interruptor de encendido del hervidor (5) tiene 2 posiciones: “ON (ENCENDIDO)” (I) y “OFF (APAGADO)” (O). Colocar el hervidor en su base y presione el interruptor hacia abajo a la posición “ON”. El interruptor se iluminará para indicar que la alimentación está encendida.
- El hervidor normalmente se apaga automáticamente en aproximadamente 30 segundos después de alcanzar el punto de ebullición.
- El tiempo requerido para que el hervidor se apague automáticamente después de alcanzar el punto de ebullición variará dependiendo de la cantidad de agua en el hervidor; se apagará más rápido después de la ebullición si se llena a su nivel “máximo” que si se llena solo a un nivel mínimo.
- Si solo desea agua tibia, puede interrumpir el procedimiento de calentamiento en cualquier momento simplemente levantando el hervidor de su base de alimentación. El interruptor de encendido se apagará y mostrará “OFF”. Para reiniciar el calentamiento, colocar el hervidor en su base de alimentación y presionar el interruptor de ON (ENCENDIDO)/OFF (APAGADO). El interruptor se iluminará para indicar que la alimentación está encendida.
- El hervidor se puede levantar fácilmente de la base para verter o servir. La boquilla de vertido ha sido especialmente diseñada para verter fácilmente incluso pequeñas cantidades de agua.
- Volver a colocar el hervidor en la unidad base cuando termine de verter.
- Siempre que se levante el hervidor de su base, se debe presionar el interruptor de encendido a la posición “ON” nuevamente si desea reiniciar el calentamiento del agua. Comprobar siempre el nivel del agua antes de encender el interruptor en “ON”. Asegurarse de que haya al menos 16 onzas (0.5 litros) de agua en el hervidor antes de encender el interruptor en “ON”. Evitar la ebullición en seco en el hervidor.

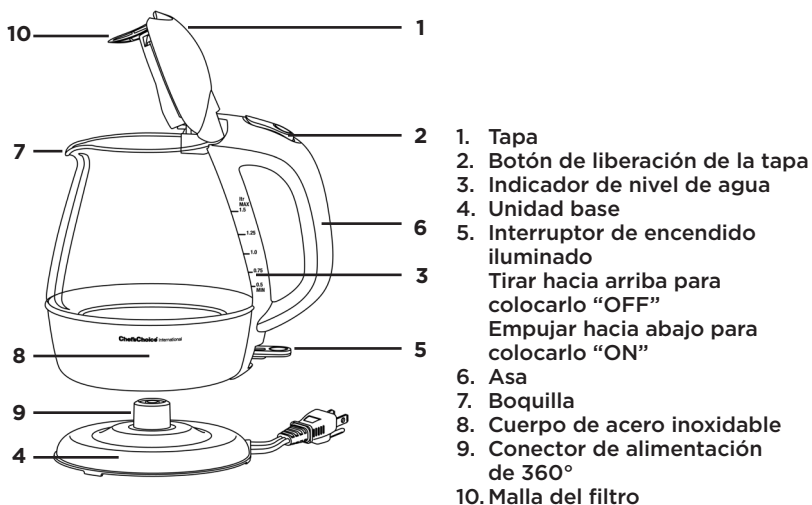


Figura 1.

- Evitar derramar agua sobre la unidad base. En caso de que la unidad base se moje, proceder de la siguiente manera:
 - desconectar el cable de alimentación del tomacorriente.
 - invertir la unidad base y sacudir toda el agua.
 - secar la unidad base con un paño absorbente seco.
 - colocar el hervidor en la base y volver a insertar el cable de alimentación en el tomacorriente.

PRECAUCIÓN: El hervidor siempre se calienta durante el funcionamiento. **NO** tocar el cuerpo o la tapa de vidrio. Levantar el hervidor solo por el asa y abrir la tapa solo con el botón o la perilla de liberación de la tapa. Tener cuidado para evitar el contacto con el vapor o el agua al abrir o cerrar la tapa mientras el hervidor todavía está caliente o contenga agua caliente.

CUIDADO Y MANTENIMIENTO DEL HERVIDOR ELÉCTRICO CHEF'SCHOICE®

- El hervidor Chef'sChoice® está diseñado específicamente para calentar agua. *No intente calentar otra cosa que no sea agua en el hervidor de agua. Con líquidos y mezclas de bajo contenido de agua, el interruptor de apagado automático activado por vapor puede no funcionar correctamente y el hervidor puede dañarse.*
- Antes de limpiar, asegurarse de que el interruptor de encendido esté en "OFF", luego retirar el hervidor de agua de su unidad base. Desenchufar la unidad base.
- Siempre espere hasta que el hervidor se haya enfriado completamente a temperatura ambiente antes de limpiarlo.
- Para evitar rayones, limpie el exterior del hervidor de agua solo con un paño suave. Nunca usar limpiadores abrasivos.
- **Nunca usar limpiadores abrasivos o almohadillas abrasivas en la superficie de vidrio interior o exterior de este producto.**
- El interior del hervidor se puede limpiar mediante descalcificación a intervalos regulares (ver página siguiente).
- Enjuagar el hervidor de agua a intervalos regulares y después de un largo uso. No sumergir.
- No intentar limpiar ninguna parte del hervidor o la base en el lavavajillas.

DESCALCIFICACIÓN

En áreas con un alto contenido de calcio en el suministro de agua, el hervidor debe descalcificarse a intervalos regulares.

- Llenar el hervidor con una solución de 16 oz. agua y 10 cucharadas de vinagre y llevar a ebullición.
- Cuando se complete el proceso, enjuagar el hervidor dos veces con agua limpia.
- También se pueden usar descalcificadores líquidos disponibles comercialmente. Seguir las instrucciones suministradas con el descalcificador por su fabricante.

La descalcificación regular mantendrá el hervidor funcionando al máximo rendimiento y eficiencia eléctrica. También extenderá la vida útil del hervidor.

Con el tiempo, pueden aparecer manchas de color marrón claro dentro del hervidor de agua. Esto no es oxidación del hervidor de agua, es el resultado del alto contenido de hierro en el suministro de agua, a menudo denominado costra del hervidor. Estas manchas se pueden limpiar fácilmente con un paño o un abrasivo suave. Enjuagar el hervidor a fondo después de la descalcificación o limpieza.

FILTRO PARA LA COSTRA

Para evitar que se viertan partículas sueltas de cal en la bebida, el hervidor de agua está equipado con un filtro para la costra detrás de la boquilla (Figura 2). El filtro es desmontable para su limpieza y sustitución. No operar el hervidor sin este filtro en su lugar. Si se retira este filtro, la función del interruptor de vapor se verá comprometida.

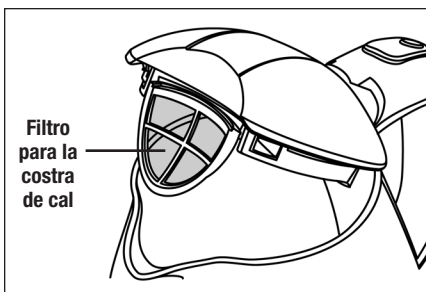


Figura 2.

PROTECCIÓN ANTE EL HERVIDO EN SECO

PRECAUCIÓN: Evitar la ebullición en seco en el hervidor. Nunca operar el hervidor con menos de 16 onzas de agua. Este hervidor de agua está equipado con un par de interruptores automáticos contra la “ebullición en seco” que protegen el aparato en caso de uso incorrecto. Si el calentamiento se inicia accidentalmente sin suficiente agua o si el agua se evapora por completo, el dispositivo se apaga automáticamente mediante la protección ante la “ebullición en seco”. La luz no se quedará encendida. Tratar de evitar que el hervidor se “seque”.

Si se activa la protección para “ebullición en seco”, desconectar el cable de alimentación y dejar que el hervidor se enfríe durante unos minutos y luego vuelva a llenar con al menos 16 onzas de agua fría. El hervidor ahora funcionará normalmente. La “ebullición en seco” frecuente de la caldera puede reducir su vida útil.

(PRECAUCIÓN: Pequeñas cantidades de agua caliente que quedan en el hervidor de agua pueden causar lesiones).

SERVICIO DE MANTENIMIENTO

Este electrodoméstico es sólo para usar en el hogar. No tiene partes ni piezas interiores que requieran mantenimiento por el usuario. En caso de necesitar este servicio, el hervidor puede enviarse a The Legacy Companies, donde el costo de reparación puede estimarse antes de prestar el servicio.

Por favor, incluya dentro de la caja una hoja de papel separada con su dirección de retorno y una breve descripción del problema o daño del hervidor. **EMBALAR CUIDADOSAMENTE EL HERVIDOR PARA EVITAR DAÑOS DE ENVÍO.**

Enviar el hervidor con seguro y franqueo prepagado a:

The Legacy Companies
149 Cleveland Drive, Paris, KY 40361 U.S.A.
Servicio al consumidor 1-800-342-3255
chefschoice.com

Retener la prueba de envío como protección.

Conforms to: UL 1082 Certified to CAN/CSA: C22.2 #64

120 volts/60Hertz, 1500 watts

© 2020 The Legacy Companies

E20

E/F/S

T680001

Garantía limitada: Si se usa en condiciones normales de cuidado, este producto de EdgeCraft está garantizado contra defectos de material y fabricación por el plazo de un (1) año a partir de la fecha de compra original (“Plazo de Garantía”). Repararemos o repondremos, a nuestra entera discreción, cualquier producto o pieza defectuosos en material o fabricación, sin cargo alguno, si el producto se devuelve dentro del plazo de garantía, con franqueo prepagado y prueba de compra fechada. Esta garantía no cubre uso comercial ni indebido. **TODAS LAS GARANTÍAS IMPLÍCITAS, INCLUSO AQUELLAS DE COMERCIALIZACIÓN E IDONEIDAD PARA DETERMINADO PROPÓSITO, QUEDAN LIMITADAS AL PLAZO DE GARANTÍA. EDGE-CRAFT CORPORATION NO SERÁ RESPONSABLE POR NINGÚN DAÑO INCIDENTAL NI CONSECUENTE.** Algunos estados no permiten limitaciones a la duración de una garantía implícita y otros no permiten exclusiones ni limitaciones de daños incidentales o consecuentes, así que las limitaciones o exclusiones anteriores pudieran no aplicarse a su caso. Esta garantía limitada concede derechos legales específicos y usted pudiera tener también otros derechos, que varían de un estado a otro..