

Chef'sChoice®

International

Cordless Electric Kettle **Bouilloire électrique sans fil**



Model 677 shown in photo
Modèle 677 présenté en image

Model 677 and 677SSG • Modèle 677 et 677SSG

IMPORTANT SAFEGUARDS

When using electrical appliances, basic safety precautions should always be followed, including the following:

1. Read all instructions carefully.
2. Do not touch hot surfaces. Always lift by handle.
3. To protect against fire, electric shock and injury to persons, do not immerse cord, plug, Kettle or Kettle base in water or other liquid.
4. Close supervision is necessary when used by children, handicapped or infirm.
5. Always unplug the base when not in use in order to avoid accidental electrical shock. Allow the Kettle to cool before cleaning.
6. Do not operate the Kettle with a damaged cord, or plug, or after the Kettle malfunctions or has been damaged in any manner. Return Kettle to the EdgeCraft Corporation, Service Department for examination, repair or adjustment.
7. The use of accessory attachments not recommended by the EdgeCraft Corporation may result in fire, electric shock or injury to persons.
8. Do not use Kettle outdoors.
9. Do not let power cord hang over edge of table or counter or touch hot surfaces.
10. Always place the Kettle on the base before turning on its power switch. After use, turn power switch to "OFF" position (up position) or make sure it has switched off automatically before attempting to unplug the power cord.
11. Do not use this Kettle or base unit for other than intended use.
12. Do not attempt to plug any device other than designated Kettle into the base unit.
13. Do not place base or Kettle on or near hot gas or electric burner or in a heated oven.
14. Do not operate Kettle unless lid is fully closed.
15. Do not operate kettle without filter screen (See Fig. 1 #10 and Fig. 2) securely in place.
16. Never fill Kettle while it rests on the base unit.
17. Do not turn power "ON" unless Kettle contains at least 3 cups (0.7 liters) of water.
18. **CAUTION:** Unplug IMMEDIATELY if water spills onto bottom of Kettle, onto Kettle base or into connector, to avoid electrical shock.
19. **CAUTION:** Avoid the risk of being scalded. Hot or boiling water and steam can cause serious burns. Extreme caution must be used when moving an appliance containing hot water or other hot liquids. Never fill Kettle above the "MAX" line shown on the water level gauge. Always pour slowly and carefully.
20. Only operate Kettle on a dry, flat, non-slip surface.
21. For household use only.

SAVE THESE INSTRUCTIONS

YOU MADE A GOOD CHOICE!

Your Chef'sChoice® Cordless Electric Kettle is the best of its kind. It can efficiently boil 1¾ quarts (1.7 liters) of water in only minutes. An appliance crafted for excellence, careful attention has been given to every detail from the sleek design to its four level protection safety switches. A convenient external water level gauge lets you know the water level even when the lid is closed.

The Kettle's enclosed heating element allows for an easily cleanable, stainless steel interior and ensures years of service from this elegant yet durable product.

Please take a minute to familiarize yourself with the following instructions to maximize your enjoyment of your Electric Kettle.

First Use of the Electric Kettle

- Read all safety and operating instructions carefully before using the Kettle for the first time. An adult should provide close supervision if Kettle is being used by children or handicapped or infirm.
- For new Kettles, do not use the first filling of boiled water, discard it, rinse out the Kettle and refill with fresh water.

Using Your Chef'sChoice® Electric Kettle

- The appliance has two parts:
 - a) Base unit with electrical connector and power cord.
 - b) Removable Kettle with electrical adapter.
- The Kettle can only be used with the power base unit supplied with the kettle. Base unit and Kettle must bear the same model number. The Kettle lid must be fully closed when heating the water. It is equipped with a snap lock so it does not open unintentionally while the water is being poured. The lid can be easily opened with only one hand. Simply grasp the handle and pull back on the lid release button with the thumb (never force lid open, always use the button).
- To close the lid, press down lightly on it until it snaps completely shut.
- Remove Kettle from the base. Fill Kettle with at least three cups (0.7 liters) of water to prevent it from running dry during the boiling process. Do not fill the Kettle above the maximum line shown on the water gauge to prevent boiling water from splashing out through the spout. If overfilled and water flows down outside of Kettle and onto its bottom, shut “OFF” and unplug unit, empty Kettle, dry base thoroughly and refill Kettle carefully before setting onto base unit. Water on the bottom of the Kettle can lead to an electric shock. (See further instructions.)
- After filling with at least 3 cups of water, place the Kettle on the base unit.
- The Kettle is equipped with a convenient automatic steam activated switch-off device, which detects the presence of steam and deactivates the appliance shortly after the boiling point is reached. *For the proper functioning of the automatic shut-off device, it is necessary that the lid be completely closed.* **NOTE:** This automatic switch-off mechanism flips the “ON/OFF” switch to the “OFF” (up) position. Upon automatic shut-off you may see a few drops of water on the base unit. This condensate will not impair the operation of the Kettle nor its safety.
- Unwind the power cord to the desired length before plugging the cord into a powered outlet.
- This appliance has a three way grounded power plug. Do not attempt to defeat this safety feature by using a three-to-two way adapter. If your receptacle is only two way without a ground seek help from a licensed electrician.
- A short power supply cord is provided with this appliance to reduce the risk of someone becoming entangled in or tripping over a longer cord and causing the Kettle to overturn, discharging its hot contents. While EdgeCraft does not recommend it, extension cords are available and may be used if care is exercised in their use. If an extension cord is used, it should be a grounded three conductor cord rated at not less than 15 amperes and match the configuration of the plug. The longer cord should be arranged so that it will not drape over the countertop or tabletop where it can be pulled on or tipped over by children or the infirm.
- Plug base unit into a three way grounded 110-120 volt, AC outlet.
- The Kettle power switch (5) has 2 positions - “ON” (I) and “OFF” (O). Place Kettle on it's base and push the switch down to the “ON” position. The switch will illuminate to indicate the power is on.

- The Kettle normally switches “OFF” automatically within about 30 seconds after the boiling point is reached.
- The time required for the Kettle to automatically switch “OFF” after the boiling point is reached will vary depending on the amount of water in the Kettle; it will switch off faster after boiling if filled to its “maximum” level than if filled to only a minimum level.
- If only warm water is desired, you can interrupt the heating procedure at any time but always first lift the power switch (5) to “OFF” (up) before lifting the kettle.
- The Kettle can be lifted easily from the base for pouring or serving. The pouring spout has been specially designed to easily pour even small amounts of water.
- Replace the Kettle on the base unit when finished pouring.
- The power switch must be pushed down to the “ON” position again if you wish to restart the heating of the water. Always check the water level before turning the power switch “ON”. Make certain there are at least three cups (0.7 liters) of water in Kettle before turning switch “ON”. Avoid boiling the kettle dry.
- Avoid spilling water on the base unit. In the event the base unit becomes wet, proceed as follows:
 - disconnect the power cord from the power outlet.
 - invert base unit and shake out all water.
 - dry the base unit with a dry absorbent cloth.
 - place the Kettle on the base and re-insert the power cord into the power outlet.

CAUTION: The Kettle always gets hot during operation. **DO NOT** touch the metal body or lid. Lift the Kettle only by the handle and open the lid only by using the lid release button. Exercise care to avoid contact with steam or the water when opening or closing the lid while the Kettle is still hot or contains hot water.

Operation During “Brown-Outs” and Periods of Low Voltage

During periods of extremely hot weather power companies in localized areas allow the grid voltage to drop from the standard 120 volts to as low as 108 volts. At such low voltages you will notice that it takes longer for the water to boil. Further, once the water boils, it takes longer for the steam detection switch to turn off the power.

Consequently during “brown-outs”, we strongly recommend that you compensate for the slower response of the steam switch by always filling the kettle at least half full of water before turning on the power.

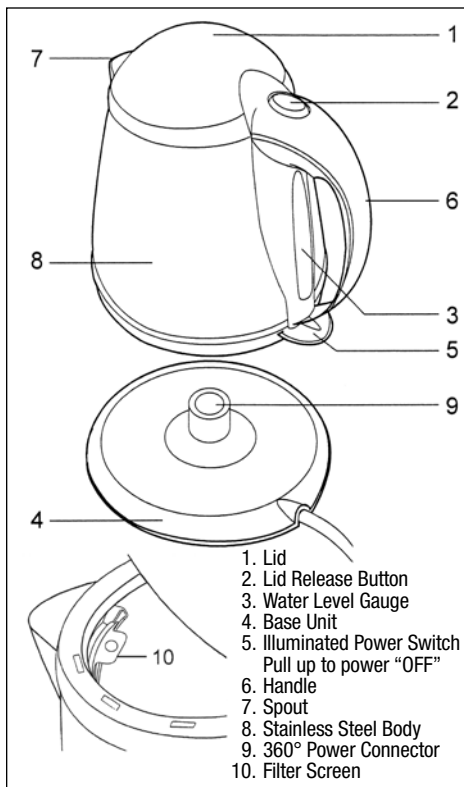


Figure 1.

With that amount of water the steam detection switch will operate normally during “brown-outs.” Always make certain the power switch is off or shut it off before lifting the kettle from its base to pour the boiled water.

Care and Maintenance of Your Chef'sChoice® Electric Kettle

- The Chef'sChoice® Kettle is designed specifically for heating water. *Do not attempt to heat anything other than water in the Kettle. With liquids and mixtures of low water content, the automatic steam activated shut-off switch may not function properly and the Kettle may be damaged.*
- Before cleaning, make sure power switch is turned “OFF”, then remove the Kettle from its base unit. Unplug the base unit.
- Always wait until the Kettle has fully cooled to room temperature before cleaning.
- To avoid scratching, clean the outside of the Kettle with a soft cloth only. Never use abrasive cleanser.
- The interior of the Kettle can be cleaned by decalcification at regular intervals. (See below).
- Rinse out the Kettle at regular intervals and after extended non-use. Do not immerse.
- Do not attempt to clean any part of the Kettle or base in the dishwasher.

Decalcification

In areas with a high calcium content in the water supply, the Kettle should be decalcified at regular intervals.

- Fill the Kettle with a solution of 16 oz. water and 6 tablespoons of vinegar and bring to a boil.
- When process is complete, rinse the Kettle twice with clean water.
- Commercially available liquid decalcifiers may also be used. Follow the instructions provided with decalcifier by its manufacturer.

Regular decalcification will keep the Kettle operating at peak performance and electrical efficiency. It will also extend the life of the Kettle.

Over time slightly brownish stains may appear inside of the Kettle. This is not rusting of the Kettle, it is a result of high iron content in the water supply, often referred to as boiler scale. These stains can be easily wiped away with a cloth or mild abrasive. Rinse Kettle thoroughly after decalcification or cleaning.

Scale Filter

To prevent loose particles of limescale being poured into your beverage, the Kettle is equipped with a scale filter behind the spout. The filter is removable for cleaning and replacement. Do not operate the kettle without this filter in place. If this filter is removed, the function of the steam switch will be compromised. Replacement filters are available from the EdgeCraft Corp.

- Before removing the filter (for replacement or cleaning):
 - make sure the Kettle is unplugged from the power source.
 - do not attempt to remove the filter when hot or when the Kettle contains hot water.
- To remove the filter (Fig.2), open the Kettle and carefully depress the black plastic arm (A) sufficiently to release the hole in the plastic arm structure from pin (B). Simultaneously pull that arm forward toward the Kettle and then lift out the filter assembly. At the bottom of the filter structure note the small extending plastic tab (C) that fits comfortably onto a small metal slot (D) provided inside the Kettle immediately below the filter.
- Scale can be removed from the filter by:
 - running water over filter under a tap, while gently brushing with a soft nylon brush.
 - or by soaking the filter in heated vinegar solution or a commercially available descaling agent.
- To reinsert the filter, insert the plastic tab (C) attached to the screen into the small metal slot (D) inside the Kettle below the spout, depress the plastic arm (A) sufficiently so that the hole in the arm engages pin (B) and release the arm.
- Never leave the filter loose inside the kettle. Ensure that the filter is always correctly secured behind the spout.

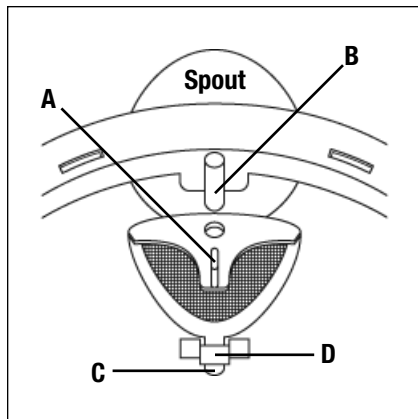


Figure 2.

Boil-dry Protection

CAUTION: Avoid boiling the Kettle dry. Never operate Kettle with less than 3 cups of water. This Kettle is equipped with a pair of self-resetting “boil-dry” switches that protect the appliance in the event of improper use. If heating is accidentally started without sufficient water or if the water evaporates completely, the appliance is automatically switched OFF by the “boil-dry” protection. The light on the switch will, however stay on. Try to avoid allowing the Kettle to “boil-dry”. If the “boil-dry” protection is actuated, the power switch will shut off and its indicator light go off (See #5 switch in Fig. 1). Disconnect the power cord and allow the Kettle to cool down for a few minutes and then refill with at least 3 cups of cold water. The Kettle will now operate normally. Frequent “boil-dry” of the Kettle may reduce its usable life. Your Kettle is also equipped with an overheat thermal protection switch that will actuate and turn off the power permanently in the event of any component failure that leads to an overheated condition.

(CAUTION: Small amounts of hot water remaining in the Kettle can cause scalding injuries).

Service

This appliance is for household use only. No user-serviceable parts are inside. In the event service is needed, return your Kettle to EdgeCraft Corp., where the cost of repair can be estimated before the repair is undertaken. Please include your return address and a brief description of the problem or damage to the Kettle on a separate sheet inside the box.

PLEASE CAREFULLY PACKAGE THE KETTLE TO AVOID SHIPPING DAMAGE.

Send your Kettle insured and postage prepaid to:

EdgeCraft Corporation
825 Southwood Road, Avondale, PA 19311 U.S.A.
Telephone 800-342-3255 or 610-268-0500
www.edgecraft.com

Retain evidence of shipping for your protection.

Conforms to UL Std. 1082 Certified to CAN/CSA: C22.2 No.64
© EdgeCraft Corporation 2015

120 volts/60Hertz, 11 Amps, 1500 watts
C15 T677001

Limited Warranty: Used with normal care, this EdgeCraft product is guaranteed against defective material and workmanship for a period of one (1) year from the date of original purchase ("Warranty Period"). We will repair or replace, at our option, any product or part that is defective in material or workmanship without charge if the product is returned to us postage prepaid with dated proof of purchase within the Warranty Period. This warranty does not apply to commercial use or any product abuse. **ALL IMPLIED WARRANTIES, INCLUDING IMPLIED WARRANTIES OF MERCHANTABILITY AND FITNESS FOR A PARTICULAR PURPOSE, ARE LIMITED TO THE WARRANTY PERIOD. EDGE-CRAFT CORPORATION SHALL NOT BE LIABLE FOR ANY INCIDENTAL OR CONSEQUENTIAL DAMAGES.** Some states do not allow limitations on how long an implied warranty lasts and some states do not allow exclusions or limitation of incidental or consequential damages, so the above limitations or exclusions may not apply to you. This Limited Warranty gives you specific legal rights, and you may also have other rights which vary from state to state.

Chef'sChoice®

International

Bouilloire électrique sans fil



Modèle 677 présenté en image

Modèle 677 et 677SSG

CONSIGNES DE SÉCURITÉ IMPORTANTES

Lors de l'utilisation d'appareils électriques, des précautions élémentaires de sécurité doivent toujours être respectées, notamment :

1. Lisez attentivement toutes les instructions.
2. Ne touchez pas les surfaces chaudes. Soulevez toujours la bouilloire par sa poignée.
3. Afin d'éviter les risques d'incendies, de choc électrique et de blessures corporelles, veuillez ne pas immerger le cordon d'alimentation, la prise, la bouilloire ou son socle dans l'eau ou dans tout autre liquide.
4. Une attention particulière est nécessaire lors de l'utilisation de l'appareil par des enfants ou des personnes handicapées ou infirmes.
5. Veillez à toujours débrancher le socle lorsque l'appareil n'est pas utilisé afin d'éviter tout choc électrique accidentel. Laissez la bouilloire refroidir avant de la nettoyer.
6. N'utilisez pas la bouilloire si son cordon d'alimentation ou la prise est endommagé(e), ou si l'appareil ne fonctionne pas correctement, ou encore s'il est tombé ou est endommagé de quelque manière que ce soit. Renvoyez la bouilloire à EdgeCraft Corporation, au département effectuant les entretiens ('Service Department') afin qu'elle soit examinée, réparée ou réajustée.
7. L'utilisation d'accessoires non recommandés par l'entreprise EdgeCraft peut causer des incendies, des chocs électriques ou des blessures.
8. N'utilisez pas la bouilloire en extérieur.
9. Ne laissez pas le câble d'alimentation pendre au-dessus des bords d'une table ou d'un comptoir, ou toucher des surfaces chaudes.
10. Placez toujours la bouilloire sur son socle avant d'activer l'interrupteur. Après utilisation, placez l'interrupteur sur la position 'OFF' ('arrêt') (position supérieure) ou assurez-vous que la bouilloire se soit automatiquement éteinte avant de débrancher le cordon d'alimentation.
11. N'utilisez pas cette bouilloire ou son socle à d'autres fins que celles pour lesquelles ils sont destinés.
12. N'essayez pas de brancher d'autres appareils que la bouilloire dans le socle.
13. Ne placez pas la bouilloire sur ou près d'une plaque chauffante électrique, d'un brûleur à gaz ou dans un four chaud.
14. Ne mettez pas la bouilloire en marche à moins que le couvercle ne soit complètement fermé.
15. N'utilisez pas la bouilloire sans la grille du filtre mise en place (voir Figure 1 #10 et Figure 2).
16. Ne remplissez jamais la bouilloire lorsque celle-ci repose sur son socle.
17. Ne mettez pas la bouilloire en marche à moins qu'elle ne contienne au moins 3 verres (0.7 litres) d'eau.
18. **ATTENTION** : Débranchez **IMMÉDIATEMENT** l'appareil si de l'eau se répand à l'arrière de la bouilloire, sur le socle de la bouilloire ou à l'intérieur du connecteur, afin d'éviter tout choc électrique.
19. **ATTENTION** : Évitez d'être ébouillanté. L'eau chaude ou bouillante ainsi que la vapeur peuvent entraîner des brûlures graves. Une prudence extrême doit être observée lors du déplacement d'un appareil contenant de l'eau ou d'autres liquides chauds. Ne remplissez jamais la bouilloire au-delà de la ligne 'MAX' située sur la jauge de niveau d'eau. Versez toujours doucement et prudemment.
20. Utilisez la bouilloire uniquement sur des surfaces sèches, planes et non glissantes.
21. Pour usage domestique uniquement.

CONSERVEZ CES INSTRUCTIONS

VOUS AVEZ FAIT LE BON CHOIX!

Votre bouilloire électrique sans fil Chef'sChoice® est ce qu'il y a de mieux. Elle peut facilement faire bouillir 1,7 litre d'eau en seulement quelques minutes. Cet appareil vise l'excellence, une attention particulière à été portée sur chaque détail, de sa conception

élégante à ses interrupteurs de protection à quatre niveaux. Une jauge externe de niveau d'eau vous permet de connaître le niveau de l'eau même lorsque le couvercle est fermé.

L'élément chauffant de la bouilloire permet un nettoyage facile, et son intérieur en acier inoxydable garantit des années de fonctionnement pour ce produit élégant et durable.

Veuillez prendre un instant afin de vous familiariser avec les instructions suivantes qui vous permettront de profiter au maximum de votre bouilloire électrique.

Première utilisation de la bouilloire électrique

- Lisez attentivement toutes les instructions de sécurité et d'utilisation avant d'utiliser la bouilloire pour la première fois. Un adulte devrait superviser attentivement toute utilisation de la bouilloire par un enfant ou une personne handicapée ou infirme.
- En ce qui concerne les nouvelles bouilloires, n'utilisez pas le premier remplissage d'eau bouillie, jetez l'eau, rincez la bouilloire et remplissez-la à nouveau.

Utiliser votre bouilloire électrique Chef'sChoice®

- Cet appareil possède deux parties:
 - a) Le socle équipé du connecteur électrique et du cordon d'alimentation.
 - b) La bouilloire détachable équipée de l'adaptateur électrique.
- La bouilloire peut uniquement être utilisée avec son socle d'alimentation. Le socle et la bouilloire doivent posséder le même numéro de série. Le couvercle de la bouilloire doit être complètement fermé lorsque l'eau chauffe. Il est équipé d'un fermoir permettant d'éviter toute ouverture accidentelle lorsque l'eau en est versée. Le couvercle peut facilement être ouvert à l'aide d'une seule main. Agrippez simplement la poignée et appuyez sur le bouton d'ouverture du couvercle à l'aide du pouce (ne forcez jamais l'ouverture du couvercle, utilisez toujours le bouton).
- Pour fermer le couvercle, appuyez légèrement dessus jusqu'à ce qu'il se verrouille en position fermée.
- Retirez la bouilloire de son socle. Remplissez la bouilloire avec au moins trois verres d'eau (0,7 litres) afin d'éviter qu'elle ne s'assèche lors de l'ébullition. Ne remplissez pas la bouilloire au-delà de la ligne 'MAX' représentant la capacité maximale située sur la jauge de niveau d'eau, afin d'éviter que de l'eau bouillante ne soit expulsée par le bec verseur. En cas de remplissage excessif et d'écoulement d'eau en dehors de la bouilloire et sur son socle, éteignez l'appareil et débranchez-le, videz la bouilloire, séchez soigneusement le socle et remplissez de nouveau la bouilloire avant de l'installer sur son socle. La présence d'eau sur le socle de la bouilloire peut entraîner un choc électrique. (Voir les instructions ci-après.)
- Après l'avoir remplie avec au moins 3 verres d'eau, placez la bouilloire sur son socle.
- La bouilloire est équipée d'un dispositif pratique d'arrêt automatique activé par la vapeur, celui-ci détecte la présence de vapeur et désactive rapidement l'appareil après que l'ébullition soit atteinte. *Pour permettre un fonctionnement correct du dispositif d'arrêt automatique, il est nécessaire que le couvercle soit complètement fermé.* **REMARQUE :** Ce mécanisme d'arrêt automatique fait basculer l'interrupteur de la position 'ON' (allumé) vers la position 'OFF' (éteint) (position supérieure). Dès l'arrêt automatique, vous pourrez observer quelques gouttes d'eau sur le socle. Cette condensation n'altérera pas le bon fonctionnement de la bouilloire ni sa sécurité.
- Déroulez le cordon d'alimentation à la longueur désirée avant de brancher le cordon dans une prise murale.
- Cet appareil possède une fiche mise à la terre à trois broches. N'essayez pas de contrecarrer la fonction de sécurité en utilisant un adaptateur de trois à deux broches. Si votre prise est à deux broches et ne possède pas de mise à la terre, consultez un électricien qualifié.
- Un câble d'alimentation court est fourni avec cet appareil pour éviter que quelqu'un ne s'em mêle ou ne trébuche en raison d'un câble trop long, risquant de renverser la bouilloire et son contenu bouillant. Bien qu'EdgeCraft les déconseille, des rallonges existent et peuvent être utilisées avec précaution. Si un cordon prolongateur est utilisé, il devrait être mis à la terre, avoir trois conducteurs supportant pas moins de 15 ampères et correspondre à la configuration de la fiche. Le câble plus long devra être disposé de manière à ce qu'il ne pende pas par-dessus le rebord d'une table ou d'un comptoir et qu'il ne puisse pas être tiré par des enfants ou une personne infirme et que ces derniers ne risquent pas de trébucher dessus.

- Branchez le socle dans une prise murale mise à la terre de 110-120 volt.
- L'interrupteur de la bouilloire (5) possède deux positions - 'ON' (allumé) (I) et 'OFF' (éteint) (O). Placez la bouilloire sur son socle et abaissez l'interrupteur en position 'ON'. L'interrupteur s'allumera afin d'indiquer que l'appareil est en marche.
- Normalement, la bouilloire s'éteint automatiquement dans les 30 secondes qui suivent l'ébullition.
- Le temps requis pour que la bouilloire s'éteigne automatiquement après l'ébullition varie selon la quantité d'eau contenue dans la bouilloire; elle s'éteindra plus rapidement après l'ébullition si elle est remplie à son niveau maximal et moins rapidement si elle est remplie à un niveau minimum.
- Si vous désirez seulement de l'eau chaude, vous pouvez interrompre le processus de chauffage à tout moment mais toujours en relevant d'abord l'interrupteur (5) en position 'OFF' avant de retirer la bouilloire.
- La bouilloire peut facilement être soulevée de son socle pour le service. Le bec verseur de service a été spécialement conçu pour verser facilement de petites quantités d'eau.
- Remettez la bouilloire en place sur son socle lorsque vous avez terminé de servir.
- L'interrupteur d'alimentation doit être de nouveau abaissé en position 'ON' si vous désirez remettre en marche le chauffage de l'eau. Vérifiez toujours le niveau d'eau avant de mettre l'appareil en marche. Assurez-vous qu'il y ait au moins trois verres d'eau (0,7 litres) dans la bouilloire avant de mettre l'interrupteur en position 'ON'. Évitez de faire bouillir une bouilloire vide.
- Évitez de répandre de l'eau sur le socle. Dans le cas où le socle serait mouillé, procédez comme suit :
 - débranchez le cordon d'alimentation de la prise murale.
 - Renversez le socle et évacuez-en toute l'eau.
 - Séchez le socle avec un tissu sec et absorbant.
 - placez la bouilloire sur son socle et réinsérez le cordon d'alimentation dans la prise murale.

ATTENTION : La bouilloire chauffe toujours lors de son fonctionnement. **NE touchez PAS** le corps en métal ou le couvercle. Soulevez la bouilloire uniquement par sa poignée et n'ouvrez son couvercle qu'en utilisant le bouton d'ouverture. Faites preuve de prudence afin d'éviter tout contact avec la vapeur ou l'eau lorsque vous ouvrez ou fermez le couvercle et que la bouilloire est encore chaude ou contient de l'eau chaude.

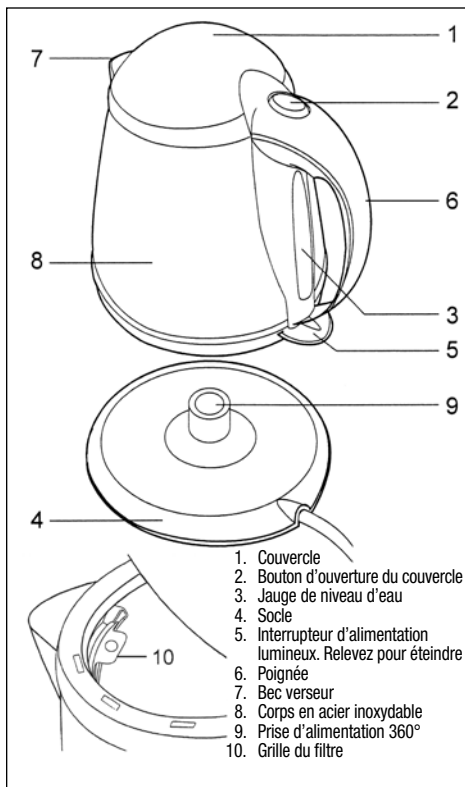


Figure 1.

Avec cette quantité d'eau, la détection de vapeur fonctionnera normalement, même lors des éclairages réduits. Veuillez toujours à ce que l'interrupteur soit en position 'OFF' ou éteignez l'appareil avant de soulever la bouilloire de son socle et de servir l'eau chaude.

Entretien et maintenance de votre bouilloire électrique Chef'sChoice®

- La bouilloire Chef'sChoice® est spécialement conçue pour faire chauffer de l'eau. N'essayez pas de faire chauffer autre chose que de l'eau à l'aide de la bouilloire. Avec les liquides et mélanges à faible teneur en eau, l'interrupteur automatique à détection de vapeur peut ne pas fonctionner correctement et cela pourrait endommager la bouilloire.
- Avant le nettoyage, assurez-vous que l'interrupteur soit en position 'OFF' et retirez la bouilloire de son socle. Débranchez le socle.
- Attendez toujours que la bouilloire ait complètement refroidi à température ambiante avant de la nettoyer.
- Afin d'éviter toute rayure, nettoyez l'extérieur de la bouilloire avec un tissu doux uniquement. N'utilisez jamais de nettoyant abrasif.
- L'intérieur de la bouilloire peut être nettoyé régulièrement par décalcification. (Voir plus bas.)
- Rincez régulièrement la bouilloire et toujours après une période prolongée sans utilisation. Ne l'immergez pas.
- N'essayez pas de nettoyer la bouilloire ou le socle dans le lave-vaisselle.

Décalcification

Dans les zones où l'eau courante possède une teneur importante en calcium, la bouilloire devrait être décalcifiée régulièrement.

- Remplissez la bouilloire avec une solution de 16 onces d'eau (½ litre) et de 6 cuillères à table de vinaigre et portez le tout à ébullition.
- Dès que le procédé est terminé, rincez deux fois la bouilloire avec de l'eau propre.
- Les liquides décalcifiants disponibles dans les commerces peuvent également être utilisés. Suivez les instructions du fabricant concernant le décalcifiant.

La décalcification régulière permet à votre bouilloire de fonctionner à sa meilleure performance et avec une meilleure efficacité électrique. Cela permettra également d'augmenter la durée de vie de la bouilloire.

Avec le temps, des taches légères de couleur brune peuvent apparaître à l'intérieur de la bouilloire. Cela n'est pas de la rouille, c'est le résultat d'une haute teneur en fer de l'eau courante, souvent dénommé 'tartre'. Ces taches peuvent facilement être nettoyées avec un tissu ou un abrasif doux. Rincez soigneusement la bouilloire après toute décalcification ou tout nettoyage.

Filtre de dépôt

Afin d'éviter que des particules de tartre soient versées dans votre boisson, la bouilloire est équipée d'un filtre de dépôt situé derrière le bec verseur. Le filtre est détachable pour permettre de le nettoyer et de le remplacer facilement. N'utilisez pas la bouilloire sans ce filtre en place. Si ce filtre est retiré, la fonction de détection de vapeur sera altérée. Des filtres de remplacement sont disponibles auprès de la société EdgeCraft.

- Avant d'enlever le filtre (pour le remplacer ou le nettoyer):
 - assurez-vous que la bouilloire soit débranchée de la source d'alimentation électrique.
 - n'essayez pas de retirer le filtre lorsque la bouilloire est chaude ou contient de l'eau chaude.
- Pour retirer le filtre (Figure 2), ouvrez la bouilloire et appuyez prudemment sur le bras noir en plastique (A) afin d'ouvrir le trou situé sur la structure du bras en plastique à partir de la cheville (B). Tirez simultanément sur ce bras vers l'avant en direction de la bouilloire et relevez-le ensuite du dispositif du filtre. À la base du dispositif du filtre, remarquez la petite languette en plastique (C) qui s'emboîte facilement sur une petite encoche métallique (D) fournie à l'intérieur de la bouilloire sous le filtre.
- Le dépôt peut être nettoyé du filtre en :
 - rinçant le filtre sous le robinet tout en brossant légèrement à l'aide d'une brosse en nylon.
 - ou en trempant le filtre dans une solution au vinaigre chauffée ou un agent détartrant disponible dans les commerces.
- Pour remettre le filtre en place, insérez la languette en plastique (C) attachée à la grille à l'intérieur de la petite encoche métallique (D) située dans la bouilloire sous le bec verseur, appuyez ensuite sur le bras en plastique (A) de manière à ce que le trou du bras s'engage dans la cheville (B) et relâchez le bras.
- Ne laissez jamais le filtre à l'intérieur de la bouilloire sans l'avoir attaché. Assurez-vous que le filtre soit toujours correctement fixé derrière le bec verseur.

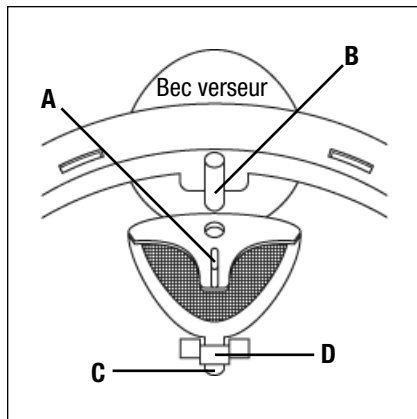


Figure 2.

Protection contre l'ébullition à sec

ATTENTION : Évitez de faire bouillir une bouilloire vide. Ne mettez jamais la bouilloire en marche si elle contient moins de 3 verres d'eau. Cette bouilloire est équipée d'une paire d'interrupteurs de remise à zéro automatique en cas d'ébullition à sec qui permettent de protéger l'appareil en cas d'utilisation incorrecte. Si le chauffage est accidentellement activé sans qu'il y ait suffisamment d'eau ou que l'eau s'évapore complètement, l'appareil s'éteindra automatiquement grâce à la protection contre l'ébullition à sec. Le témoin lumineux de l'interrupteur restera toutefois allumé. Essayez d'éviter à la bouilloire de chauffer à vide. Si la protection est activée, l'interrupteur d'alimentation s'éteindra et son témoin lumineux également (voir #5 interrupteur sur la figure 1). Débranchez le cordon d'alimentation et laissez refroidir la bouilloire pendant quelques minutes, remplissez-la ensuite avec au moins 3 verres d'eau. La bouilloire fonctionnera alors correctement. Les ébullitions à sec répétées peuvent réduire la durée de vie de la bouilloire. Votre bouilloire est également équipée d'un interrupteur de protection thermique de surchauffe qui sera activé et coupera l'alimentation en cas de défaillance d'un composant qui pourrait entraîner une surchauffe.

(ATTENTION : Des petites quantités d'eau chaude restantes à l'intérieur de la bouilloire peuvent entraîner des brûlures).

Maintenance

Cet appareil est destiné à un usage domestique uniquement. L'appareil ne comporte pas de pièces remplaçables par l'utilisateur. Si un service de maintenance s'avérait nécessaire, veuillez renvoyer votre bouilloire à la société EdgeCraft où les coûts de réparation pourront être estimés avant que toute réparation ne soit effectuée. Veuillez indiquer votre adresse de réexpédition ainsi qu'une brève description du problème ou des dégâts subis par la bouilloire sur une feuille séparée à l'intérieur de la boîte.

VEUILLEZ EMBALLER LA BOUILLOIRE AVEC PRUDENCE AFIN D'ÉVITER TOUT DÉGÂT DÛ AU TRANSPORT.

Envoyez votre bouilloire garantie et avec les frais de port payés à l'adresse :

EdgeCraft Corporation
825 Southwood Road, Avondale, PA 19311 U.S.A.
Telephone 800-342-3255 or 610-268-0500
www.edgecraft.com

Conservez la preuve d'envoi pour votre protection.

Conforms to UL Std. 1082 Certified to CAN/CSA: C22.2 No.64
© EdgeCraft Corporation 2015

120 volts/60Hertz, 11 Amps, 1500 watts
C15 T677001

Garantie limitée : Lors d'une utilisation normale, ce produit EdgeCraft est garanti contre les matériaux défectueux et les vices de fabrication pendant une période d'un (1) an à compter de la date d'achat initial (« Période de garantie »). Nous réparerons ou remplacerons, à notre discrétion, tout produit ou élément défectueux au niveau des matériaux ou comportant des vices de fabrication gratuitement si le produit nous est retourné par colis affranchi accompagné d'une preuve d'achat datée au cours de la période de garantie. Cette garantie ne s'applique pas lors d'un usage commercial ou lors d'emploi abusif. **TOUTES LES GARANTIES IMPLICITES, Y COMPRIS LES GARANTIES IMPLICITES DE QUALITÉ MARCHANDE ET DE CONFORMITÉ POUR UN USAGE SPÉCIFIQUE SONT LIMITÉES À LA PÉRIODE DE GARANTIE. LA COMPAGNIE EDGE-CRAFT NE POURRA ÊTRE TENUE RESPONSABLE DES DOMMAGES CONSÉCUTIFS OU INDIRECTS.** Certains états n'autorisent pas les limitations de durée des garanties implicites et certains états n'autorisent pas les exclusions ou limitations de dommages consécutifs ou indirects, les limitations ou exclusions ci-dessus peuvent donc ne pas s'appliquer à votre cas. Cette garantie limitée vous confère des droits spécifiques, et vous disposez éventuellement d'autres droits pouvant varier selon les états.