

Chef'sChoice[®] International

Professional Indoor Electric Grill
Gril électrique d'intérieur professionnel



Model 878 • Modèle 878

IMPORTANT SAFEGUARDS

When using electrical appliances, basic safety precautions should always be followed, including the following:

1. Read ALL of the instructions.
2. **Unplug from outlet when not in use, and before handling or cleaning. Always turn the unit Off before unplugging. Allow to cool before putting on or taking off parts, and before cleaning the appliance.**
3. Do not touch the hot surfaces; use handles or knobs.
4. Before using the grill, move it at least four inches away from the wall or any object. Remove any objects that may have been placed on top of the appliance. Do not use on surfaces where heat may cause a problem.
5. To protect against electrical shock, do not place electrical equipment in water. (See instructions for cleaning.)
6. Close supervision is necessary when any appliance is used by or near children.
7. Do not operate any appliance with a damaged cord or plug, or after the appliance malfunctions or has been damaged in any manner. If it appears to be damaged, return appliance to the EdgeCraft Corporation Service Department for examination, repair or adjustment.
8. The use of accessory attachments not recommended by the EdgeCraft Corporation may result in fire, electric shock, or injury to persons.
9. Do not use outdoors.
10. Only operate the grill on a dry, flat, non-slip surface.
11. Do not let power cord hang over edge of table or counter, or touch hot surfaces.
12. Do not place on or near hot gas or electric burner, or in a heated oven.
13. Do not move the appliance when it contains hot water or liquids.
14. Use extreme caution when removing drip tray, which may contain hot liquids.
15. Caution: Empty the drip tray when the unit is cool and before moving the appliance.
16. Do not use the appliance for other than intended use.
17. Always attach grill plate to appliance first, then plug cord in the wall outlet. To disconnect, turn power switch off, then remove plug from wall outlet.
18. Do not clean with metal scouring pads. Pieces can break off the pad and touch electrical parts, creating a risk for electric shock.
19. Do not use harsh abrasives or caustic cleaners when cleaning the appliance.
20. Do not place food directly on the heating element.

21. Keep loose clothing, curtains, furniture and flammable material etc. away from the wall outlet where the unit is plugged in.
22. A fire may occur if the appliance is covered or touching flammable material, including curtains, draperies, paper, cardboard, or plastic, etc., when in operation.
23. Caution: Never leave the indoor grill unattended when grilling.
24. Never place food containers on the heating element or on the grill plate.
25. Do not store any items under the heating elements.
26. Do not cover any part of the indoor grill with metal foil. This will cause the appliance to malfunction.
27. Charcoal briquettes or wood chips must not be used with this appliance.
28. Never operate the unit without water in the drip tray
29. Do not operate your appliance in an appliance garage or under a wall cabinet. **When storing in an appliance garage, always first unplug the unit from the electrical outlet.** Not doing so could create a risk of fire, especially if the appliance touches the walls of the garage or the door touches the unit as it closes.
30. Grill is heavy, handle it carefully.

SAVE THESE INSTRUCTIONS

YOU MADE A GOOD CHOICE!

The Professional Indoor Electric Grill, Model 878 comes to you from Chef'sChoice®, the maker of the world's finest professional household gourmet products.

With this Chef'sChoice® Grill your family and friends can enjoy the delicious, seared flavor and aroma of perfectly grilled foods, indoor, year round!

The secret is in the aluminum grill plate, which provides efficient heat transfer for perfect results every time. Whether it's delicious, juicy, seared steaks, delicate flaky grilled salmon, or any other grilled delicacies, the Chef'sChoice® Professional Indoor Grill will delight the taste buds of family and friends. *Enjoy!*

Getting to Know the Chef'sChoice® Professional Indoor Electric Grill

Take a minute to identify the key features and controls of the Indoor Electric Grill, (Figure 1) made of cast aluminum, brushed stainless steel and high strength, high temperature engineering plastics.

The grill plate is made from cast aluminum, with a ceramic non-stick coating. The grill plate is packed separate from the grill body for safe shipping. Simply remove the grill plate from its packaging and place on top of the grill as shown in Figure 2.

On the right side of the unit, recessed below the plastic handle, is an illuminated on/off rocker switch. When the grill is plugged in, the switch will illuminate when it is turned to the "On" position.

The temperature control dial is graduated numerically; the higher the number the hotter the grill plate will become. This control dial is relatively sensitive and fractional numerical changes can make a notable difference in cooking temperature. Directly behind the temperature control knob, on top of the unit, is the "Ready" light. The light will illuminate when the grill is at set temperature and is ready for grilling (see page 6 for more details).

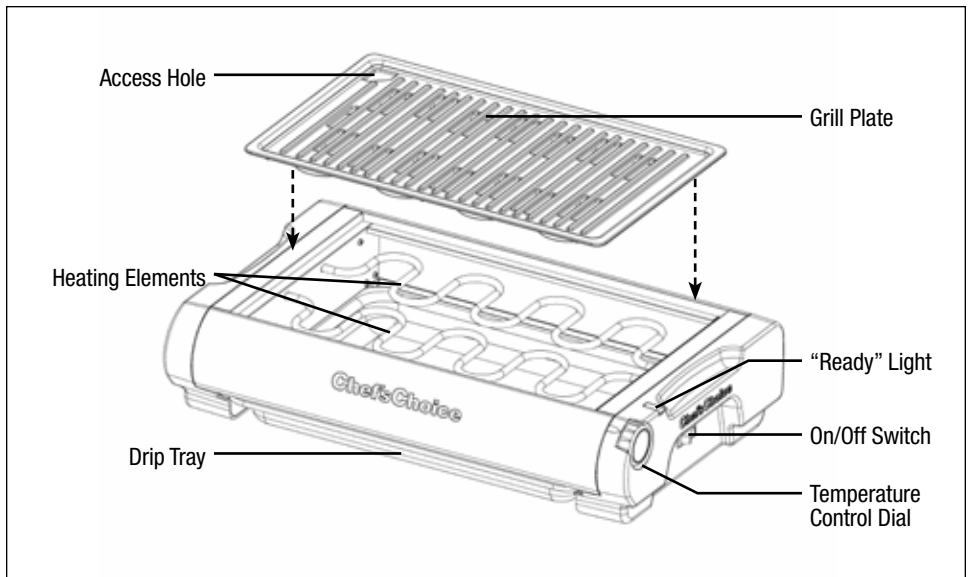


Figure 1. Chef'sChoice® Professional Indoor Electric Grill.

Using Professional Indoor Electric Grill FOR FIRST TIME

Before plugging in the unit, make sure that the grill is on a flat, stable, and firm surface, a safe distance away from surfaces where heat may cause a problem.

Make sure the drip tray beneath the unit is fully in place. The grill will not turn on if the tray is not in its proper position. Fill the tray with enough clean water so that the level is between the “Min” and “Max” labels stamped in the tray. Having the tray properly filled with water ensures more even cooking temperatures and prevents smoke.

Note: It may be easiest to fill the drip tray with water before the grate is put in place.

Unpack the grill plate from its packaging, and place it on top of the grill so that the heating elements fit inside the grate, as show in Figure 1 and 2. You can use the access hole in the upper left corner of the grate to position the grate in place. See figure 1 and 2 for proper orientation of the grate on the grill. (Access hole should always be in the upper, left hand corner of the grill.)

Insert the power cord into a grounded 120 volt outlet. Turn on the rocker switch. The switch will illuminate when it is in the “ON” position. Turn the temperature control knob to the highest setting. We recommend running the grill at the highest setting for about 15 minutes. On this very first cycle, a light odor may be given off which is typical of new heating elements.

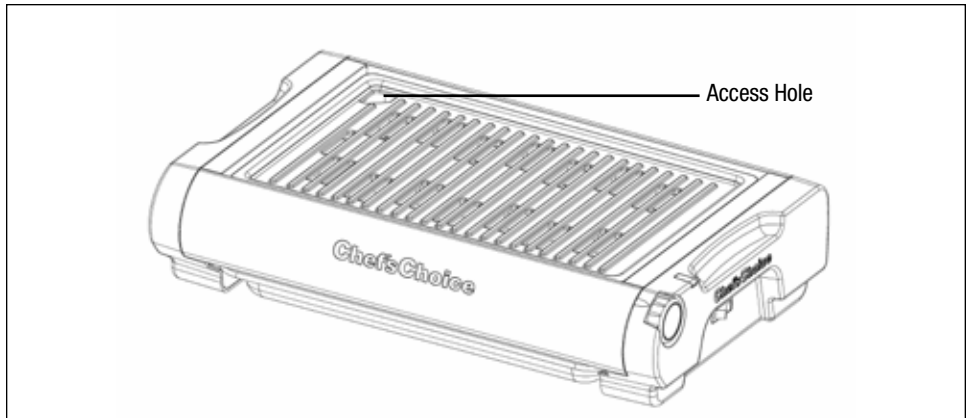


Figure 2.

General Grilling Procedure

If the Professional Indoor Electric Grill has not been used before, follow instructions on page 5 for “Using Professional Indoor Electric Grill for First Time.”

- Make sure the grill is on a flat, stable, firm surface and that the temperature control dial is at its lowest setting.
- Ensure that the drip tray is clean and slide it fully in place. (The grill will not turn on if the tray is not in its proper position.)
- Fill the tray with enough clean water so that the level is between the “Min” and “Max” indicators stamped in the tray
- Place the grill plate on top of the grill (make sure the access hole is in the upper right hand corner)
- Insert the power cord into 120 volt outlet.
- Turn on the On/Off rocker switch so that it is illuminated
- Adjust the temperature control dial to the desired setting.
- Allow the grill to come to temperature. It is ready to cook in 15 minutes or when the green “ready” light illuminates. Please note that the green light may take longer than 15 minutes to come on when the grill is at its highest setting, but the grill will be ready to cook.
- Place food to be grilled on the grill plate surface, trying to distribute the food as evenly as possible.
- For extended grilling periods, make sure to maintain the minimum water level in the drip tray. If the water runs out, the grill may start to smoke. Refill the tray by pulling the tray slightly forward, using both hands, and add water to the max fill line (see Figure 3). Always turn off and unplug the unit before refilling. (**Caution:** the drip tray and the water in the drip tray may be very hot!)
- It is recommended to use a meat thermometer to ensure all food is thoroughly cooked.** The following are general guidelines for **minimum** internal temperatures. Cooking times will vary depending on the starting temperature and the thickness of the cut of meat.
- Always use the latest USDA Temperature Guidelines for doneness.

Product	Minimum Internal Temperature
Beef, Pork, Veal, & Lamb	145 degrees and rest 3 minutes
Ground Beef	160 degrees
All Poultry	165 degrees
Fish	145 degrees

*** Consuming raw or undercooked meats, poultry, seafood, shellfish, or eggs may increase your risk of foodborne illness, especially if you have certain medical conditions.*

Useful Grilling Tips

- Always preheat the grill before cooking. Set the temperature control to the desired setting. Wait for 15 minutes, or until the ready light comes on, whichever comes first.
- Grilling times can vary because of the room temperature, or the amount, size, and shape of the food being grilled
- Wash hands and use a clean work surface when preparing food.
- Meat will cook more evenly if it is at room temperature when you begin grilling.
- In general, large pieces of meat will require more cooking time per pound than small pieces of meat. Foods on a crowded cooking grate will require more cooking time than just a few food items.
- Trim excess fat from steaks, chops, and roasts, leaving no more than ¼ inch (6.4 mm) of fat. Less fat makes cleanup easier.
- Use tongs rather than a fork for turning and handling meats to avoid losing natural juices. Use two spatulas for handling large whole fish.
- Always use a timer and an instant-read thermometer. A food thermometer is the only true way to test doneness.
- Fish and meat should be turned only once if possible. Repeated turning is unnecessary and dries out the food being cooked.
- It is recommended to coat the top surface of the cooking grate with non-stick cooking spray before the grill is turned on. This will help with cleanup.

Cord Safety

A short power supply cord is provided with this appliance to reduce the risk resulting from the cord becoming entangled in or tripping over a longer cord and causing the Professional Indoor Electric Grill to overturn, spilling its hot contents. While EdgeCraft does not recommend it, extension cords are available and may be used if care is exercised in their use. If an extension cord is used, it must have an integral ground wire, a three prong plug and the marked electrical rating of the extension cord should be at least 20 amperes. The longer cord should be arranged so that it will not hang over the counter top or tabletop where it can be pulled on by children or pets or tripped over.

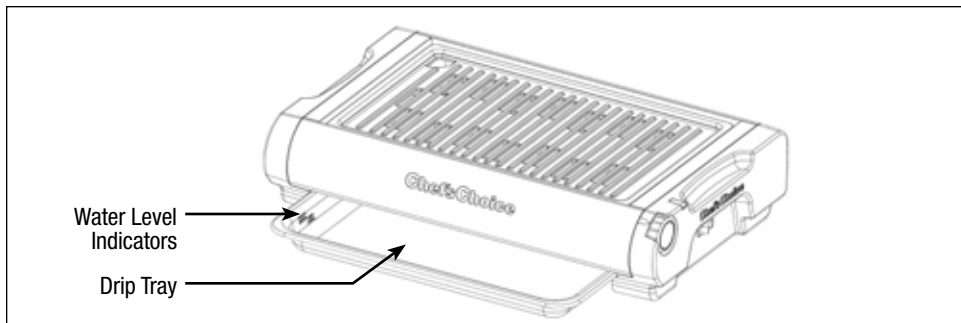


Figure 3. Refilling drip tray.

Cleaning and Storage

- Before cleaning the Professional Indoor Electric Grill, always unplug the power cord.
- **Wait until the Grill cools to room temperature before cleaning.**
- *Note:* always empty the drip tray before attempting to move the grill. The drip tray is dishwasher safe.
- Never clean the grill body under water.
- The exterior can be safely cleaned with a mild detergent on a damp soft cloth, or small soft brush.
- The grill plate should be removed when cool for further cleaning. The grate can be scrubbed with a sponge. Do not use sharp or pointed tools as they will damage the non-stick surfaces.

Optional Accessory

EdgeCraft also manufactures an optional cast aluminum griddle plate, with a non-stick ceramic coating, that may be purchased separately from your retailer. The griddle plate is particularly well suited for frying eggs and bacon, making pancakes and home fries and many other delicious foods.

Service

This appliance is for household use only. No user-serviceable parts are inside. Refer servicing to qualified personnel. In the event service is needed, return your Chef'sChoice® Professional Indoor Electric Grill to EdgeCraft Corporation, where the cost of repair or electrical or mechanical adjustment can be estimated before the repair is undertaken. If failure occurs within the warranty period there may be no charge.

Please include your return address and a brief description of the problem or damage on a separate sheet inside the box. Insure the shipment and retain a shipping receipt as evidence of shipment and for your protection against loss in shipment.

Send your Indoor Grill insured and postage prepaid to:

EdgeCraft Corporation
825 Southwood Road, Avondale, PA 19311 U.S.A.
Telephone 800-342-3255 or 610-268-0500
www.chefschoice.com

Retain evidence of shipping for your protection.

Conforms to: UL 1026 Certified to CAN/CSA: C22.2#64
© EdgeCraft Corporation 2015 K15

G878001

Limited Warranty: Used with normal care, this EdgeCraft product is guaranteed against defective material and workmanship for a period of one (1) year from the date of original purchase ("Warranty Period"). We will repair or replace, at our option, any product or part that is defective in material or workmanship without charge if the product is returned to us postage prepaid with dated proof of purchase within the Warranty Period. This warranty does not apply to commercial use or any product abuse. ALL IMPLIED WARRANTIES, INCLUDING IMPLIED WARRANTIES OF MERCHANTABILITY AND FITNESS FOR A PARTICULAR PURPOSE, ARE LIMITED TO THE WARRANTY PERIOD. EDGE-CRAFT CORPORATION SHALL NOT BE LIABLE FOR ANY INCIDENTAL OR CONSEQUENTIAL DAMAGES. Some states do not allow limitations on how long an implied warranty lasts and some states do not allow exclusions or limitation of incidental or consequential damages, so the above limitations or exclusions may not apply to you. This Limited Warranty gives you specific legal rights, and you may also have other rights which vary from state to state.

Chef'sChoice[®] International

Gril électrique d'intérieur professionnel



Modèle 878

CONSIGNES DE SECURITE IMPORTANTE

Lors de l'utilisation d'appareils électriques, des précautions élémentaires de sécurité doivent toujours être respectées, notamment :

1. Lisez TOUTES les instructions.
2. **Débranchez l'appareil de la prise électrique lorsque vous ne l'utilisez pas et avant tout(e) manipulation ou nettoyage. Éteignez toujours l'appareil avant de le débrancher. Laissez l'appareil refroidir avant de monter ou de démonter des éléments et avant de le nettoyer.**
3. Ne touchez pas les surfaces chaudes; utilisez les poignées ou les boutons.
4. Avant d'utiliser le gril, déplacez ce dernier à une distance d'au moins dix centimètres des parois et objets. Enlevez tout objet posé sur l'appareil. N'utilisez pas l'appareil sur les surfaces où la chaleur pourrait être source de problèmes.
5. Pour éviter les électrocutions, ne placez pas l'équipement électrique dans l'eau. (Reportez-vous aux instructions relatives au nettoyage).
6. Une surveillance étroite est nécessaire lorsque tout appareil est utilisé par ou à proximité d'enfants.
7. N'utilisez aucun appareil dont le câble ou la prise est endommagé(e), si l'appareil ne fonctionne pas correctement ou s'il a été endommagé de quelque façon que ce soit. S'il est endommagé, renvoyez l'appareil au service de maintenance d'EdgeCraft Corporation afin qu'il soit examiné, réparé ou réglé.
8. L'utilisation d'accessoires non recommandés par EdgeCraft Corporation peut causer des incendies, des électrocutions ou des blessures.
9. N'utilisez pas l'appareil à l'extérieur.
10. Utilisez le gril uniquement sur des surfaces sèches, planes et non glissantes.
11. Ne laissez pas le câble d'alimentation pendre au-dessus des bords d'une table ou d'un comptoir, ni toucher des surfaces chaudes.
12. Ne posez pas l'appareil sur ou à proximité d'une plaque chauffante électrique, d'un brûleur à gaz ou dans un four chaud.
13. Ne déplacez pas l'appareil s'il contient de l'eau chaude ou tout autre liquide chaud.
14. Faites preuve d'une grande prudence lors du retrait du bac, ce dernier pouvant éventuellement contenir des liquides chauds.

15. Attention : Videz le bac d'égouttage lorsque l'appareil est froid et avant de déplacer ce dernier.
16. N'utilisez pas l'appareil pour d'autres applications que celles pour lesquelles il est prévu.
17. Placez toujours la grille sur l'appareil avant de brancher le câble d'alimentation dans la prise murale. Pour débrancher l'appareil, éteignez ce dernier et enlevez ensuite le câble de la prise murale.
18. Ne nettoyez pas l'appareil à l'aide de tampons à récurer métalliques. Des morceaux peuvent casser le tampon et toucher des pièces électriques, entraînant un risque d'électrocution.
19. N'utilisez pas de nettoyeurs abrasifs ou caustiques puissants pour nettoyer l'appareil.
20. Ne placez pas les aliments directement sur l'élément de chauffage.
21. Gardez les vêtements amples, les rideaux, le mobilier, les matières inflammables, etc. à distance de la prise murale sur laquelle est branché l'appareil.
22. Un incendie peut se produire si l'appareil est recouvert ou s'il entre en contact avec des matières inflammables dont les rideaux, les tentures, le papier, le carton, le plastique, etc. lorsqu'il est en cours de fonctionnement.
23. Attention : Ne laissez jamais le gril d'intérieur sans surveillance lorsqu'il est utilisé.
24. Ne placez aucun conteneur d'aliments sur l'élément chauffant ni sur la grille.
25. Ne rangez aucun élément sous les éléments de chauffage.
26. Ne recouvrez aucune partie du gril d'intérieur avec du papier aluminium. Cela entraînerait un mauvais fonctionnement de l'appareil.
27. Les briquettes de charbon et les copeaux de bois ne peuvent pas être utilisés avec cet appareil.
28. N'utilisez jamais l'appareil si le bac d'égouttage ne contient pas d'eau.
29. N'utilisez jamais votre appareil dans un meuble de rangement ou sous une armoire murale.
Débranchez toujours l'appareil de la prise électrique avant de le ranger dans un meuble de rangement. Le non-respect de cette mesure de précaution risque de provoquer un incendie, et particulièrement si l'appareil touche les parois du meuble de rangement ou si la porte entre en contact avec l'appareil en se fermant.
30. Le gril est lourd, manipulez-le avec précaution.

CONSERVEZ CES INSTRUCTIONS

VOUS AVEZ FAIT LE BON CHOIX !

Le gril électrique d'intérieur professionnel, modèle 878, vous est fourni par Chef'sChoice®, le fabricant mondialement reconnu de produits domestiques professionnels pour gourmets.

Grâce à ce gril Chef'sChoice®, votre famille et vos amis profiteront des délicieuses saveurs et des arômes braisés d'aliments parfaitement grillés, à l'intérieur et tout au long de l'année !

Le secret est dans la plaque de la grille en aluminium, ce qui permet un transfert de chaleur efficace pour des résultats parfaits à chaque utilisation. Qu'il s'agisse de délicieux steaks grillés ou juteux, de délicats pavés de saumon ou de toute autre spécialité grillée, le gril d'intérieur professionnel Chef'sChoice® ravira les papilles de votre famille et de vos amis. ***Bon appétit !***

Présentation du gril électrique d'intérieur professionnel Chef'sChoice®

Prenez une minute pour identifier les fonctions et commandes de l'intérieur Barbecue électrique, (Figure 1) d'aluminium clés, en acier inoxydable brossé et de haute résistance, les plastiques techniques à haute température. La plaque de la grille est en aluminium, avec un revêtement anti-adhésif en céramique. La grille est emballée séparément du corps du gril électrique pour garantir la sécurité du transport. Enlevez simplement la grille de son emballage et placez-la sur le gril tel qu'indiqué dans la Figure 2.

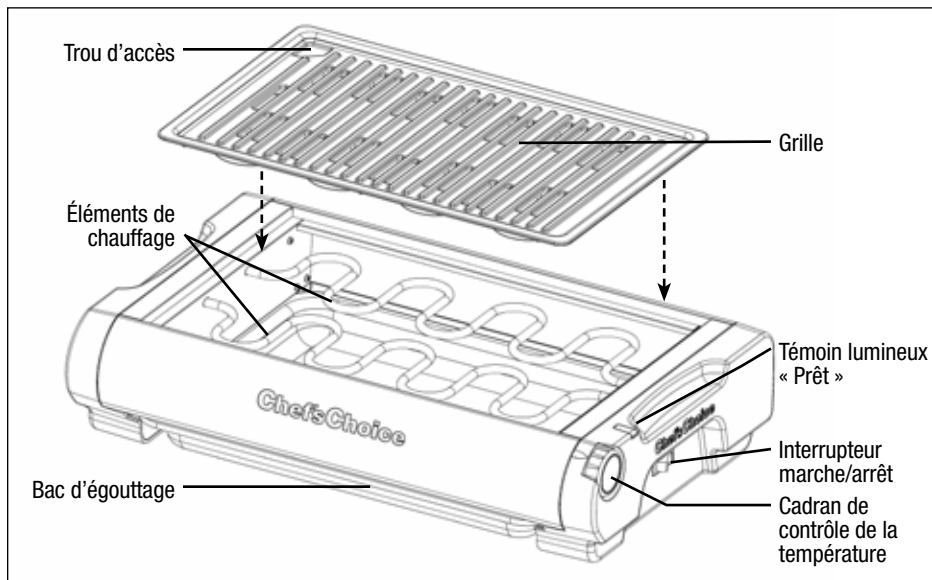


Figure 1. Gril électrique d'intérieur professionnel Chef'sChoice®.

L'interrupteur illuminé marche/arrêt est encastré sur le côté droit de l'appareil, sous la poignée en plastique. Lorsque le gril est branché, l'interrupteur s'allume lorsqu'on le place dans la position « On [Marche] ».

Le cadran de commande de la température est gradué de façon numérique; plus le numéro est élevé et plus le gril deviendra chaud. Ce cadran de contrôle est relativement sensible et de très petites variations numériques peuvent provoquer une différence notable de la température de cuisson. Le voyant lumineux « Ready [Prêt] » se trouve directement derrière la molette de contrôle de la température, sur la partie supérieure de l'appareil. Le voyant s'allumera lorsque le gril atteindra la température préréglée et qu'il sera prêt pour la cuisson (voir page 6 pour plus de détails).

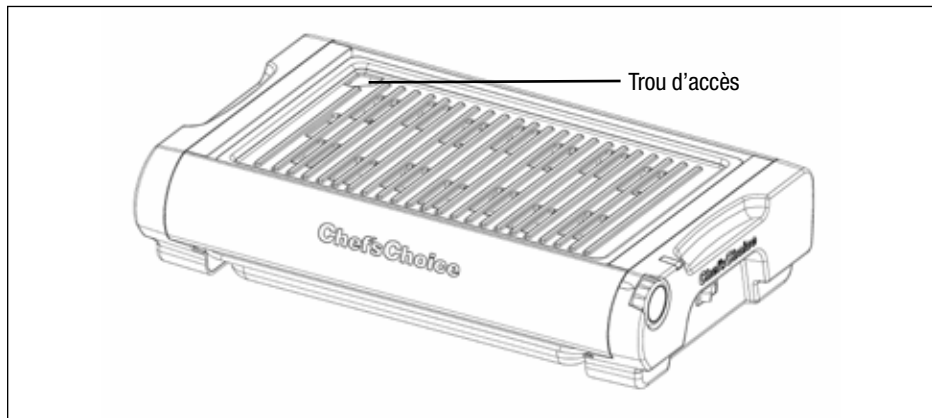


Figure 2.

Utiliser le gril électrique d'intérieur professionnel POUR LA PREMIÈRE FOIS

Avant de brancher l'appareil, assurez-vous que le gril repose sur une surface plane, stable et rigide et qu'il soit installé à une distance adéquate de toutes les surfaces susceptibles d'être affectées par la chaleur.

Assurez-vous que le bac d'égouttage situé sous l'appareil est parfaitement en place. Le gril ne fonctionnera pas si le bac d'égouttage n'est pas installé dans sa position correcte. Remplissez le bac avec une quantité suffisante d'eau claire afin que le niveau soit compris entre les marques « Min » et « Max » situées sur le bac. Remplir le bac d'eau de façon adéquate permet de garantir des températures de cuisson plus homogènes et d'éviter les émissions de fumées.

Remarque : Il est plus facile de remplir le bac d'égouttage avec de l'eau avant que la grille ne soit mise en place. Déballez la grille de son emballage et placez-la sur le gril afin que les éléments de chauffage s'insèrent à l'intérieur de la grille, tel qu'illustré sur les Figures 1 et 2. Vous pouvez utiliser le trou d'accès situé dans le coin supérieur gauche de la grille afin de mettre cette dernière en place. Reportez-vous aux Figures 1 et 2 pour consulter l'orientation correcte de la grille sur le gril. (Le trou d'accès devrait se trouver dans le coin supérieur gauche du gril).

Branchez le câble d'alimentation dans une prise de courant de 120 volts comportant une mise à la terre. Mettez l'interrupteur à bascule en position « On [Marche] ». L'interrupteur s'allume lorsqu'il est en position « On [Marche] ». Placez la molette de commande de la température sur le réglage le plus élevé. Nous recommandons de régler le gril sur la température la plus élevée pendant 15 minutes. Durant ce tout premier cycle, une légère odeur peut être émise, ce qui est typique dans le cas des éléments de chauffage neufs.

Procédure de cuisson générale

Si le gril électrique d'intérieur professionnel n'a pas encore été utilisé, suivez les instructions indiquées à la page 5 sous l'intitulé « Utiliser le gril électrique d'intérieur professionnel pour la première fois ».

- Assurez-vous que le gril se trouve sur une surface plane, stable et rigide et que le cadran de commande de la température soit réglé sur la température la plus basse.
- Veillez à ce que le bac d'égouttage soit propre et qu'il coulisse entièrement en position. (Le gril ne fonctionnera pas si le bac d'égouttage n'est pas installé dans sa position correcte).
- Remplissez le bac avec une quantité suffisante d'eau claire afin que le niveau soit compris entre les marques « Min » et « Max » situées sur le bac
- Placez la grille sur le gril (assurez-vous que le trou d'accès se trouve dans le coin supérieur droit)
- Branchez le câble d'alimentation dans une prise de courant de 120 volts.
- Activez l'interrupteur à bascule « On/Off [Marche/arrêt] » afin qu'il s'illumine
- Placez le cadran de commande de la température sur le réglage souhaité.
- Laissez le gril arriver à température. Il est prêt à cuire en 15 minutes, lorsque le voyant lumineux vert s'allume le gril est "prêt". Veuillez noter que le voyant lumineux peut prendre plus de 15 minutes pour s'allumer. Lorsque le gril éteint son réglage le plus élevé, la grille sera prêt à cuire.
- Placez l'aliment à griller sur la surface de la grille, en faisant en sorte de disposer la nourriture de la façon la plus homogène possible.

Produit	Température Interne Minimale
Bœuf, porc, veau et agneau	145 degrés et attente de 3 minutes
Bœuf haché	160 degrés
Toutes volailles	165 degrés
Poisson	145 degrés

*** La consommation de viandes, volailles, poissons, fruits de mer ou œufs crus ou cuits de façon insuffisante est susceptible d'augmenter le risque d'intoxication alimentaire, en particulier si vous souffrez de certains troubles médicaux.*

- Pour les temps de cuisson prolongés, assurez-vous de maintenir l'eau du bac d'égouttage au-dessus du niveau minimal. Si l'eau s'évapore totalement, le grill peut commencer à émettre des fumées. Remplissez à nouveau le bac en tirant délicatement ce dernier vers l'avant avec les deux mains, et ajoutez de l'eau pour atteindre le marquage du niveau maximal (voir la Figure 3). Éteignez et débranchez toujours l'appareil avant de procéder au remplissage. (Attention : le bac d'égouttage et l'eau qu'il contient peuvent être très chauds !)
- Il est recommandé d'utiliser un thermomètre à viande afin de garantir que les aliments soient cuits en profondeur.** Les indications générales suivantes sont adaptées à des températures internes minimum. Les durées de cuisson dépendent des températures de départ et de l'épaisseur des aliments.
- Respectez toujours les dernières directives du département de l'Agriculture des États-Unis (United States Department of Agriculture, ou USDA) en matière de température de cuisson adéquate des aliments.

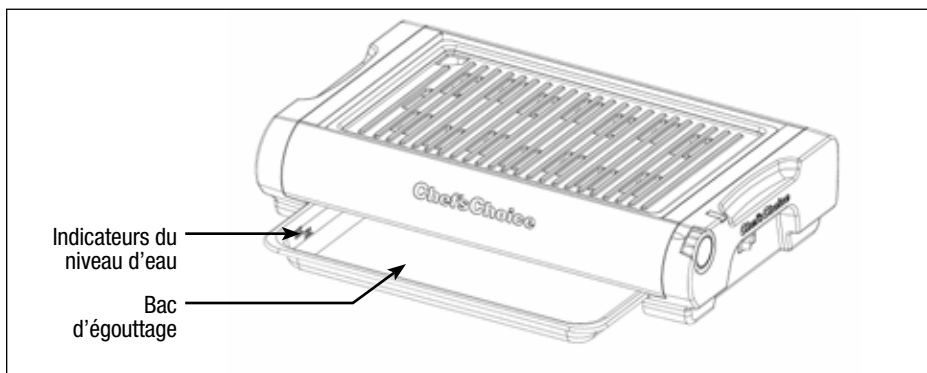


Figure 3. Remplissage du bac d'égouttage.

Conseils de cuisson utiles

- Préchauffez toujours le gril avant la cuisson. Placez la molette de réglage de la température sur le réglage souhaité. Attendez 15 minutes ou jusqu'à ce que le voyant lumineux s'allume selon la première éventualité.
- Les durées de cuisson peuvent varier en fonction de la température de la pièce ou de la quantité, de la taille et de la forme des aliments à griller
- Lavez-vous les mains et utilisez une surface de travail propre lors de la préparation des aliments.
- La cuisson de la viande sera plus homogène si elle se trouve à température ambiante avant d'être placée sur le gril.
- En général, les gros morceaux de viande nécessiteront davantage de temps de cuisson que les petits morceaux. Les aliments placés sur une grille de cuisson comprenant de nombreux aliments nécessiteront des temps de cuisson plus longs que si la grille ne contient que quelques aliments.
- Découpez les graisses excessives des steaks et côtelettes en laissant une couche de gras inférieure ou égale à $\frac{1}{4}$ de pouce (6,4 mm). Réduire la quantité de graisse permet un nettoyage plus facile.
- Utilisez des pinces plutôt qu'une fourchette pour retourner et manipuler les morceaux de viande afin d'éviter de perdre les jus. Utilisez deux spatules pour la manipulation des poissons entiers.
- Utilisez toujours un minuteur et un thermomètre à lecture instantanée. Un thermomètre pour aliments est la seule façon de vérifier le degré de cuisson.
- Le poisson et la viande ne devraient être retournés qu'une seule fois si possible. Retourner la viande de façon répétée est inutile et assèche l'aliment en cours de cuisson.
- Il est recommandé de recouvrir la surface supérieure de la grille de cuisson avec un aérosol de cuisson antiadhésif avant que le gril est allumé. Cela aidera au nettoyage.

Sécurité du câble d'alimentation

La petite taille du câble d'alimentation fourni avec cet appareil est destinée à réduire le risque que quelqu'un s'y emmêle ou ne trébuche en renversant le gril électrique d'intérieur professionnel et de son contenu brûlant. Bien que EdgeCraft les déconseille, des rallonges existent et peuvent être utilisées si des précautions sont prises. Si une rallonge électrique est utilisée, elle doit avoir un fil de terre sécurisé, être munie d'une fiche à trois broches et la puissance électrique indiquée sur la rallonge doit être d'au moins 20 ampères. Le câble plus long devra être disposé de manière à ce qu'il ne pende pas au-dessus des rebords d'une table ou d'un comptoir afin qu'il ne puisse pas être tiré par des enfants ou des animaux domestiques et qu'on ne puisse pas trébucher dessus.

Nettoyage et rangement

- Débranchez toujours le câble d'alimentation avant de nettoyer le gril électrique d'intérieur professionnel.
- **Attendez que le gril soit revenu à température ambiante avant de terminer son nettoyage.**
- *Remarque* : videz toujours le bac d'égouttage avant de tenter de déplacer le gril. Le bac d'égouttage peut être lavé au lave-vaisselle.
- Ne lavez jamais le corps du gril sous l'eau.
- La partie extérieure peut être nettoyée sans risque avec un détergent doux et un chiffon doux humide ou une petite brosse souple.
- La grille devrait être retirée une fois refroidie pour continuer son nettoyage. La grille peut être nettoyée avec une éponge. Ne pas utiliser des outils tranchants ou pointus car ils peuvent endommager les surfaces antiadhésives.

Accessoire en option

EdgeCraft fabrique également en option, une plaque chauffante en fonte d'aluminium, avec un revêtement en céramique antiadhésive, qui peut être acheté auprès de votre revendeur. La plaque chauffante est particulièrement bien adaptée pour frire des œufs et du bacon, faire des crêpes et des frites maison et bien d'autres mets délicieux.

Entretien

Cet appareil est destiné à un usage domestique uniquement. L'appareil ne comporte aucune pièce remplaçable par l'utilisateur. L'entretien doit être confié à du personnel qualifié.

Si un entretien s'avérait nécessaire, veuillez renvoyer votre gril électrique d'intérieur professionnel Chef'sChoice® à EdgeCraft Corporation, où un devis de réparation, de réglage électrique ou de mécanique peuvent être estimés avant que la réparation ne soit entreprise. Si une panne survient pendant la période de garantie, l'entretien sera éventuellement gratuit.

Veuillez indiquer votre adresse de réexpédition ainsi qu'une brève description du problème ou des dégâts subis par l'appareil sur une feuille séparée à l'intérieur du colis. Prenez une assurance sur l'expédition et conservez un reçu de votre envoi comme preuve d'envoi et comme protection en cas de perte du colis pendant l'expédition.

Envoyez votre gril d'intérieur assuré et pré-affranchi à :

EdgeCraft Corporation
825 Southwood Road, Avondale, PA 19311, É.-U.
Téléphone : 800-342-3255 ou 610-268-0500

www.chefschoice.com

Conservez la preuve d'expédition pour votre protection.

Conforms to: UL 1026 Certified to CAN/CSA: C22.2#64

© EdgeCraft Corporation 2015

K15

G878001

Garantie limitée : Lors d'une utilisation normale, ce produit EdgeCraft est garanti contre les matériaux défectueux et les vices de fabrication pendant une période d'un (1) an à compter de la date d'achat initial (« Période de garantie »). Nous réparerons ou remplacerons, à notre discrétion, tout produit ou élément défectueux au niveau des matériaux ou comportant des vices de fabrication gratuitement si le produit nous est retourné par colis affranchi accompagné d'une preuve d'achat datée au cours de la période de garantie. Cette garantie ne s'applique pas lors d'un usage commercial ou en cas d'emploi abusif. TOUTES LES GARANTIES IMPLICITES, Y COMPRIS LES GARANTIES IMPLICITES DE QUALITÉ MARCHANDE ET DE CONFORMITÉ POUR UN USAGE SPÉCIFIQUE SONT LIMITÉES À LA PÉRIODE DE GARANTIE. LA COMPAGNIE EDGE CRAFT NE POURRA ÊTRE TENUE RESPONSABLE DES DOMMAGES CONSÉCUTIFS OU INDIRECTS. Certains États ne permettent pas de limitations de la durée des garanties implicites et certains États ne permettent pas d'exclusions ou de limitations des dommages consécutifs et indirects, les limitations mentionnées ci-dessus ne s'appliquent donc peut-être pas à votre cas particulier. Cette garantie limitée vous confère des droits spécifiques et vous pouvez également disposer d'autres droits différents selon les États.