

# BERES

PUTTERS

P 3 0 3

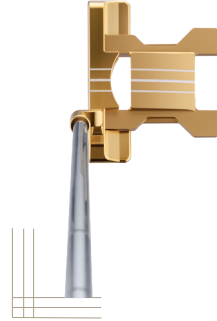
P 3 0 8



# BERES P 303



# BERES P 308



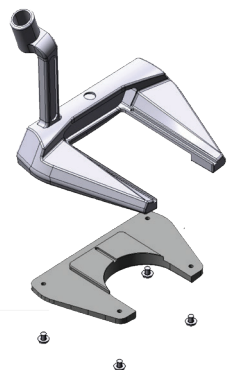
## SHAFTS



## SPECIFICATIONS

### P 303

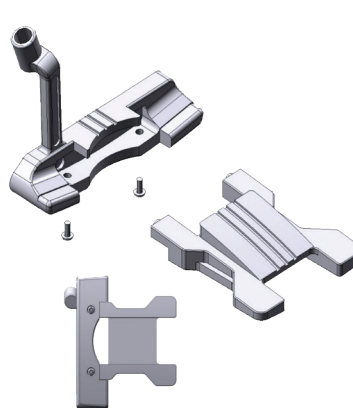
Achieve more stable putting with a head that moves automatically and a hard-to-change face surface. Additionally, the head shape distributes weight to the toe and heel creating a high MOI, making it possible to produce stable rolling even if a miss hit occurs.



P303	
REAL LOFT	4.5°
LOFT	2.0°
LIE ANGLE	70°
HEAD WEIGHT	373 g
GROSS WEIGHT	546 (Steel Shaft)

### P 308

The unique T-shape allows linear addressing and stroke without hesitation with respect to the target. In addition, by designing the high CG, it has a shape that makes it easy to create the forward rotation of the ball required for putting.



P303	
REAL LOFT	4.5°
LOFT	2.0°
LIE ANGLE	70°
HEAD WEIGHT	373 g
GROSS WEIGHT	546 (Steel Shaft)

