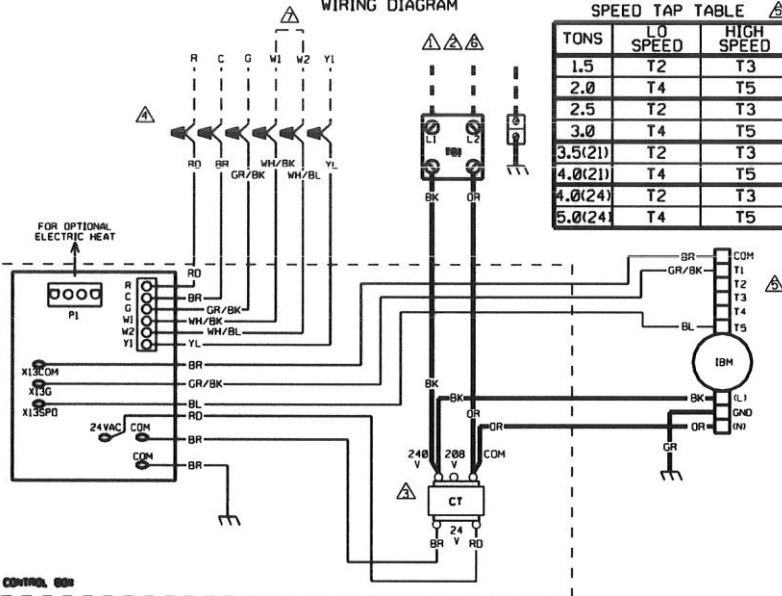
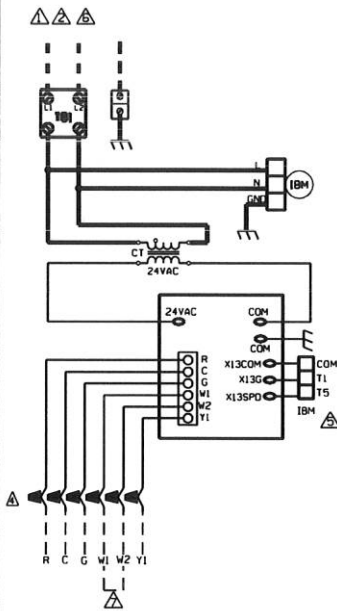


### WIRING DIAGRAM



### SCHEMATIC DIAGRAM



### NOTES

- ⚠ CONNECT SUPPLY WIRING FOR VOLTAGE, PHASE AND HERTZ SHOWN ON RATING PLATE.
- ⚠ SUPPLY WIRE MUST BE RATED AT 75°C MIN. SEE INSTRUCTIONS FOR SIZE.
- ⚠ CT FACTORY WIRED FOR 240 VOLTS. MOVE WIRES FROM 240V TO 208V FOR 208V OPERATION.
- ⚠ CONTROL WIRING TO THERMOSTAT.
- ⚠ BLOWER SPEED SELECT (BL WIRE) IS FACTORY WIRED TO FULL TONNAGE HIGH SPEED TAB T5, EXCEPT FOR 4-TON IN 24" WIDE CABINET. 4-TON 24" IS FACTORY WIRED TO T3. (SEE SPEED TAP TABLE FOR ALTERNATE CONFIGURATION)
- ⚠ FOR USE WITH COPPER CONDUCTORS ONLY.
- ⚠ WHEN USING 13KW AND HIGHER IT IS RECOMMENDED TO JUMP W1 AND W2 TOGETHER FOR MAXIMUM TEMPERATURE RISE.

### COMPONENT CODES

CT CONTROL TRANSFORMER  
 GND GROUND  
 IBM INDOOR BLOWER MOTOR  
 TB TERMINAL BLOCK (41 VOLT)  
 ⚡ WIRE NUT

### WIRING INFORMATION

LINE VOLTAGE  
 -FACTORY STANDARD \_\_\_\_\_  
 -FACTORY OPTION - - - - -  
 -FIELD INSTALLED - - - - -  
 LOW VOLTAGE  
 -FACTORY STANDARD \_\_\_\_\_  
 -FIELD INSTALLED - - - - -

REPLACEMENT WIRE  
 MUST BE THE SAME SIZE AND TYPE OF INSULATION AS ORIGINAL (105C. MIN.)  
 WARNING  
 CABINET MUST BE PERMANENTLY GROUNDED AND CONFORM TO I.E.C., N.E.C., C.E.C., NATIONAL WIRING REGULATIONS, AND LOCAL CODES AS APPLICABLE.

### WIRE COLOR CODE

BK.....BLACK G.....GREEN PR.....PURPLE  
 BR.....BROWN GY.....GRAY R.....RED  
 BL.....BLUE O.....ORANGE W.....WHITE  
 Y.....YELLOW

ELECTRICAL WIRING DIAGRAM  
 ELECTRICAL AIR HANDLER  
 230V X-13 MOTOR