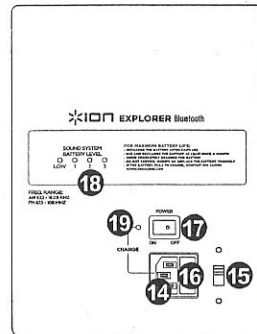
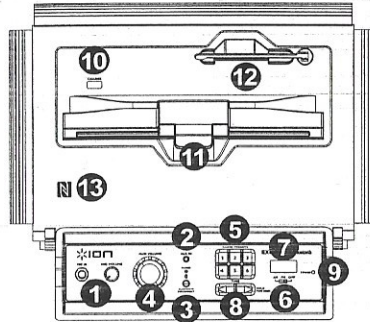


Diagram and Parts Description

- Microphone Input with Volume Control (1/4"):** This mono input accepts a 1/4" input such as a microphone, guitar, or other musical instrument.
- Auxiliary input:** This stereo 3.5mm (1/8") input can be used to connect a CD player, MP3 player, or other audio source.
- Bluetooth:** The Paired LED will be lit when a device is paired to EXPLORER BLUETOOTH. This LED will not be lit when EXPLORER BLUETOOTH is first powered on (unless it was previously paired with a device). Press the **Disconnect** button to disconnect a paired Bluetooth device.
- Master Volume Control:** This adjusts the speaker's main mix volume, which includes the Microphone Input, Auxiliary Input, Tuner, and the audio of a paired Bluetooth device.
- AM/FM Presets:** Store a favorite radio station and quickly tune to a preset radio station. There are 6 numeric positions for AM stations and 6 numeric positions for FM stations. To add a preset:
 - Select either the AM or FM band and then use the Tuner buttons to select the desired radio station.
 - Press and hold a numeric preset button to assign the current station to that preset number. To use an added preset, tap a preset number once lightly to go to the stored radio station.
- Radio Selector:** This switch sets the tuner to AM or FM or turns the tuner off. (**Note:** This switch does not turn the unit's power off – just the tuner.)
- LCD:** Displays the current radio station.
- Tuner:** Use these buttons to search for a radio station. To "seek" (jump to the next available station), hold this down for a few seconds until it starts to seek a station. The unit will remember the last station you were on and start at that station when you power off and power on again.
- Power LED:** Indicates whether EXPLORER BLUETOOTH is on or off.
- USB Charge:** Connect your device's charge cable here to charge it. USB charging only functions when the unit's power is turned on. **Note:** To charge your smartphones and tablets faster, put your device's screen to sleep.
- Device Cradle:** Place your iPad/iPod touch/iPhone, Android or other device here to be held. These can be connected via Bluetooth or to the aux input using the included 3.5mm (1/8") to 3.5mm (1/8") cable. **Note:** It is recommended to remove your iPad or other device from the cradle before transporting or traveling with EXPLORER.
- Antenna:** Adjust this FM antenna to get the best radio reception. **Note:** To prevent accidental damage, we recommend rotating the antenna only when it is positioned horizontally. Also, retract the antenna when the Tuner is not in use. **Note:** When using AM radio if you have a Bluetooth device that is paired, this will cause poor AM reception. Unpair your Bluetooth device in order to listen to AM radio.
- NFC:** Tap your NFC (near-field communication) supported and enabled device here to pair your phone by gently bumping on the 'N' logo. See the section *Pairing with a Device using NFC* for more information.
- Power Cable Input (IEC):** Insert the included power cable here to charge the unit. Note that the EXPLORER BLUETOOTH can run off the power adapter while it simultaneously charges the battery. The charge indicator illuminates when the battery is charging.
- Voltage Selector*:** If your unit has a voltage selector switch, change its setting only when necessary (e.g., when traveling to a country or region with a different voltage), and replace the fuse with one with an appropriate rating (printed under the unit's power cable input, next to the desired voltage). Selecting an improper voltage setting or using a fuse with an incorrect rating can damage the unit and/or fuse. If the voltage selector is covered, only remove "one" screw of the cover and slide it aside to expose the selector.
- Fuse Cover:** If the unit's fuse is broken or if you are changing the setting of the voltage selector switch, use a screwdriver or other tool to lift this tab to replace the fuse. Replace it with a fuse with an appropriate rating (printed under the unit's power cable input, next to the desired voltage). Using a fuse with an incorrect rating can damage the unit and/or fuse.
- Power ON/OFF Switch:** Turns EXPLORER BLUETOOTH on or off. Please note that while EXPLORER BLUETOOTH is connected to a power source, it does not need to be powered on to charge the battery.
- Battery Level Indicator:** While the unit is powered ON and unit is not plugged in, these four lights indicate the power left in the battery. Battery life varies based on volume and usage.
- Charging LED:** This illuminates when the unit is attached to wall power and is in the process of charging.

***WARNING:** If your unit has a voltage selector switch, change its setting only when necessary (e.g., when traveling to a country or region with a different voltage), and replace the fuse with one with an appropriate rating (printed under the unit's power cable input, next to the desired voltage). Selecting an improper voltage setting or using a fuse with an incorrect rating can damage the unit and/or fuse. If the voltage selector is covered, only remove "one" screw of the cover and slide it aside to expose the selector.



Troubleshooting

If the sound is distorted: Try lowering the volume control of your sound source or musical instrument. Also, try to reduce the overall volume of EXPLORER BLUETOOTH.

If there is too much bass: Try adjusting the tone or EQ control on your sound source to lower the bass level. This will allow you to play the music louder before clipping (distortion) occurs.

If there is a high-pitched whistling noise when using microphones: This is probably feedback. Point the microphone away from the speaker.

If there is poor AM reception: To adjust AM reception, move entire unit.

If you can't hear the microphone over the music volume: Turn down the music volume from your source.

Pairing a Bluetooth Device

- Turn on your Bluetooth device.
- Power on EXPLORER BLUETOOTH and it will automatically go into pairing mode to search for Bluetooth devices. You will know you are in pairing mode when the LED is blank.
- If your Bluetooth device is not able to pair to the amp, press the disconnect button on the amp to break previous Bluetooth connections and reset the Bluetooth module.
- Navigate to your Bluetooth device's setup screen, find "Explorer BT" and connect. **Note:** If your Bluetooth device prompts for a pairing code, enter "0000".
- EXPLORER BLUETOOTH LED will light up solid when it is 'paired'. **Note:** If you experience trouble pairing or playing music, update your device's OS.
- To disconnect pairing, press the 'Disconnect' button on EXPLORER BLUETOOTH.
- To connect to another Bluetooth device, repeat steps 3-4.

Note: Maximum range will be achieved when using devices with Bluetooth 4.0.

Pairing a Bluetooth Device Using NFC

NFC (near-field communication) allows data exchange from devices, such as pairing, by gently bumping them together. Check in your device's manual to see if this feature is supported.

To use NFC to pair with EXPLORER BLUETOOTH:

- In order to use NFC, your device must be turned on and unlocked.
- Enter your device's **Settings** menu and check that **NFC** is turned **On** (one time step).
- Power on EXPLORER BLUETOOTH.
- Gently bump your device against the 'N' logo located on EXPLORER BLUETOOTH's top panel.
- Follow the pairing instructions that appear on your phone. If a passcode is required, enter "0000".
- To unpair, gently bump your device against the 'N' logo located on EXPLORER BLUETOOTH's top panel.