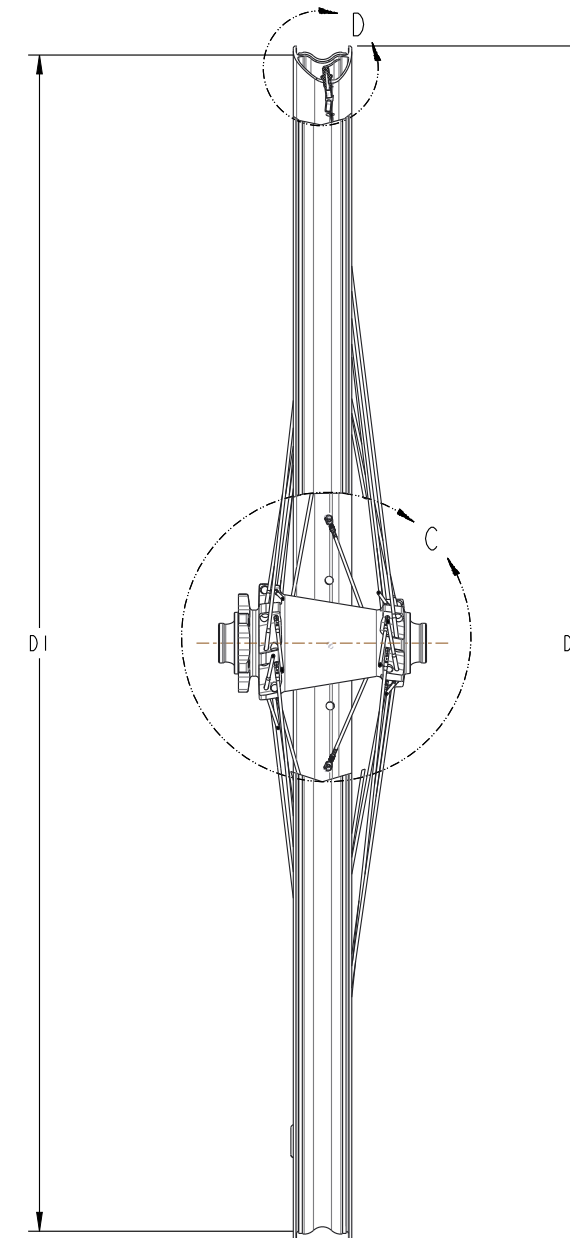
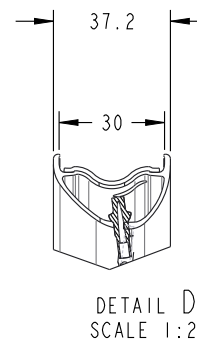
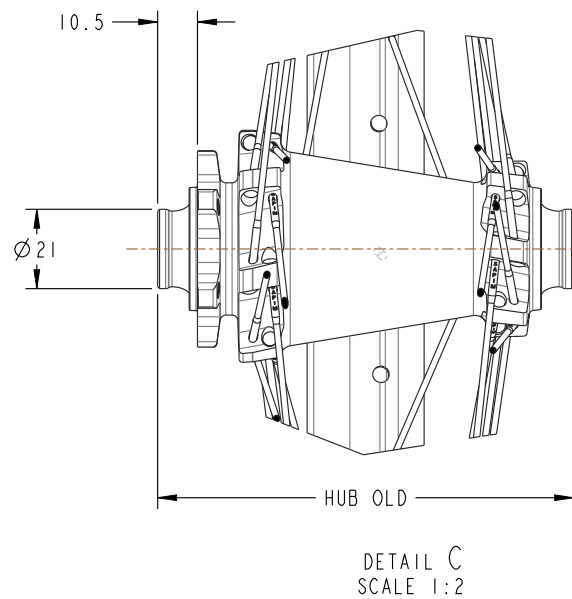
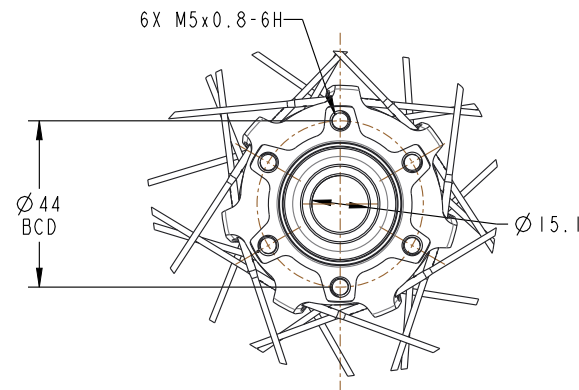


— PROPRIETARY —
 THIS DOCUMENT CONTAINS CONFIDENTIAL, PROPRIETARY INFORMATION
 THAT IS FOX PROPERTY. DO NOT DISCLOSE TO OR DUPLICATE
 FOR OTHERS EXCEPT AS AUTHORIZED BY FOX.

FRONT WHEELS	RIM DESIGNATION (ISO 5775-2)	"D1" MEASURED DIAMETER TIRE BEAD SEAT	"D2" OVERALL RIM DIAMETER	HUB OLD
Era 30 27.5" 15x110	584 x 30TC	584	595	110
Era 30 29" 15x110	622 x 30TC	622	633	110

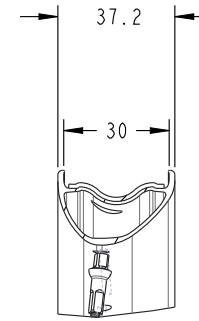
RIM MAXIMUM ALLOWABLE TIRE PRESSURE ³			
TIRE WIDTH		MAX AIR PRESSURE	
(mm)	(in)	(bar)	(psi)
51	2.0	3.4	49
53	2.1	3.2	47
57	2.25	3.0	44
60	2.35	2.9	42
61	2.4	2.8	41
64	2.5	2.7	39



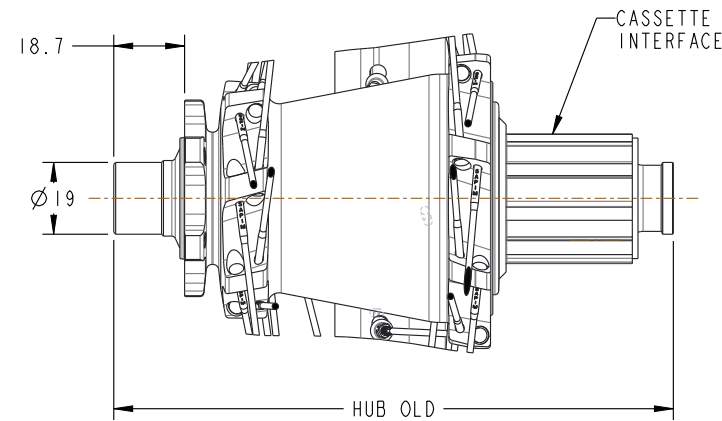
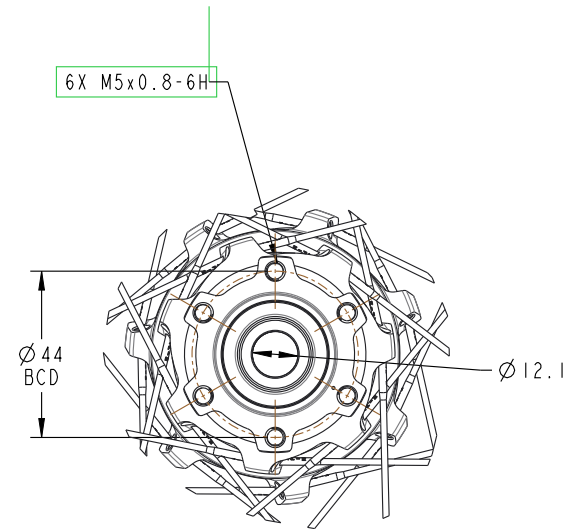
1. ERA WHEELS HAVE TUBELESS TAPE AND VALVES PRE-INSTALLED AT FACTORY
2. COMPATIBLE WITH TUBELESS, UST, AND STANDARD CLINCHER (WITH TUBES) TIRES
- ³ SEE TABLE ABOVE FOR MAXIMUM TIRE PRESSURE ALLOWABLE BY TIRE SIZE
4. MAXIMUM ALLOWABLE DISC ROTOR DIAMETER 225 mm (8.9 in)
5. INTENDED USE CATEGORY: EN 17406 CONDITION 4
6. MAXIMUM ALLOWABLE BICYCLE SYSTEM WEIGHT 140 kg (306 lbs)

		FOX FACTORY INC. SPECIALTY SPORTS GROUP <small>*118 - 8333 EASTLAKE DRIVE BURNABY BC, V5A 4W2</small>	
		User Spec: 2024,WHEEL,ERA	
SIZE	PART NO.	REVISION	
B	611-40-001	A	
PLOT SCALE 1:4		SHEET 1 OF 2	

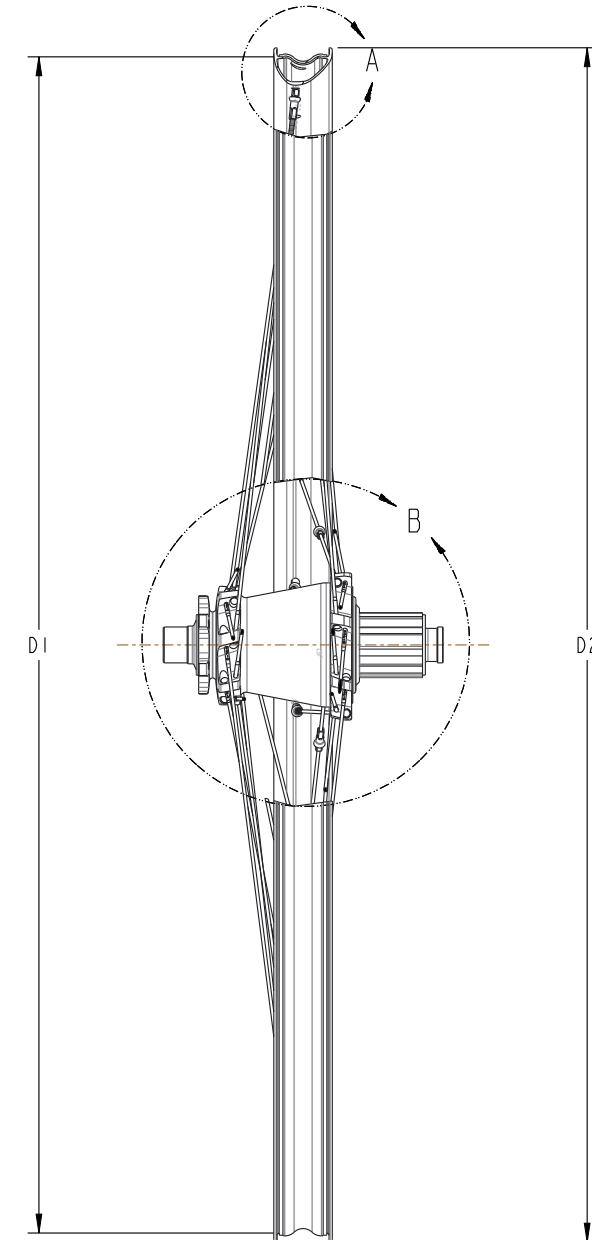
REAR WHEELS	RIM DESIGNATION (ISO 5775-2)	"D1" MEASURED DIAMETER TIRE BEAD SEAT	"D2" OVERALL RIM DIAMETER	HUB OLD	CASSETTE INTERFACE
Era 30 27.5" 12x148 MS	584 x 30TC	584	595	148	SHIMANO MICRO SPLINE
Era 30 27.5" 12x148 XD	584 x 30TC	584	595	148	SRAM XD
Era 30 29" 12x148 MS	622 x 30TC	622	633	148	SHIMANO MICRO SPLINE
Era 30 29" 12x148 XD	622 x 30TC	622	633	148	SRAM XD
Era 30 27.5" 12x157 MS	584 x 30TC	584	595	157	SHIMANO MICRO SPLINE
Era 30 27.5" 12x157 XD	584 x 30TC	584	595	157	SRAM XD
Era 30 29" 12x157 MS	622 x 30TC	622	633	157	SHIMANO MICRO SPLINE
Era 30 29" 12x157 XD	622 x 30TC	622	633	157	SRAM XD



DETAIL A
SCALE 1:2



DETAIL B
SCALE 1:2



— PROPRIETARY —
THIS DOCUMENT CONTAINS CONFIDENTIAL, PROPRIETARY INFORMATION
THAT IS FOX PROPERTY. DO NOT DISCLOSE TO OR DUPLICATE
FOR OTHERS EXCEPT AS AUTHORIZED BY FOX.

SIZE B	CAGE NO. NONE	DWG. NO. 611-40-001	REV. A
PLOT SCALE 0.250		2 OF 2	