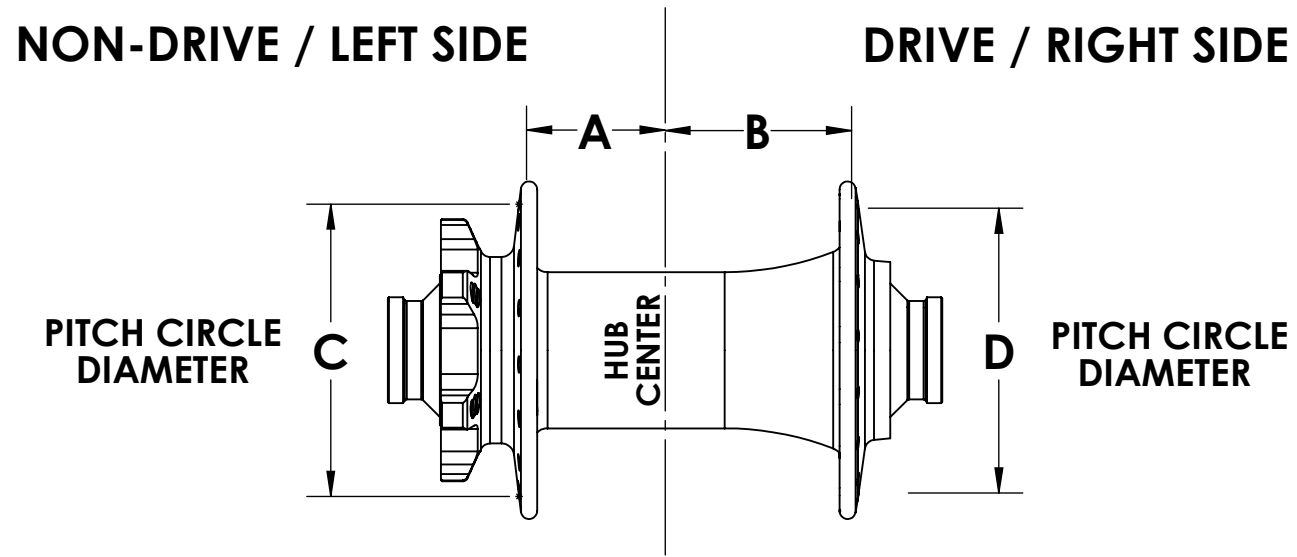


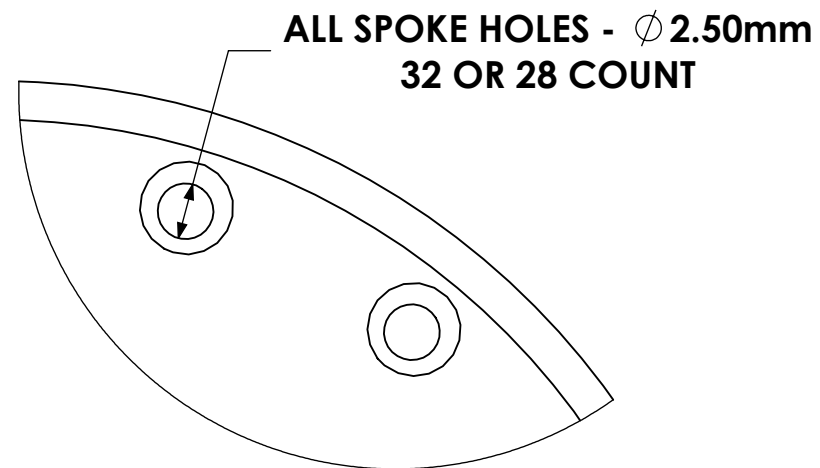
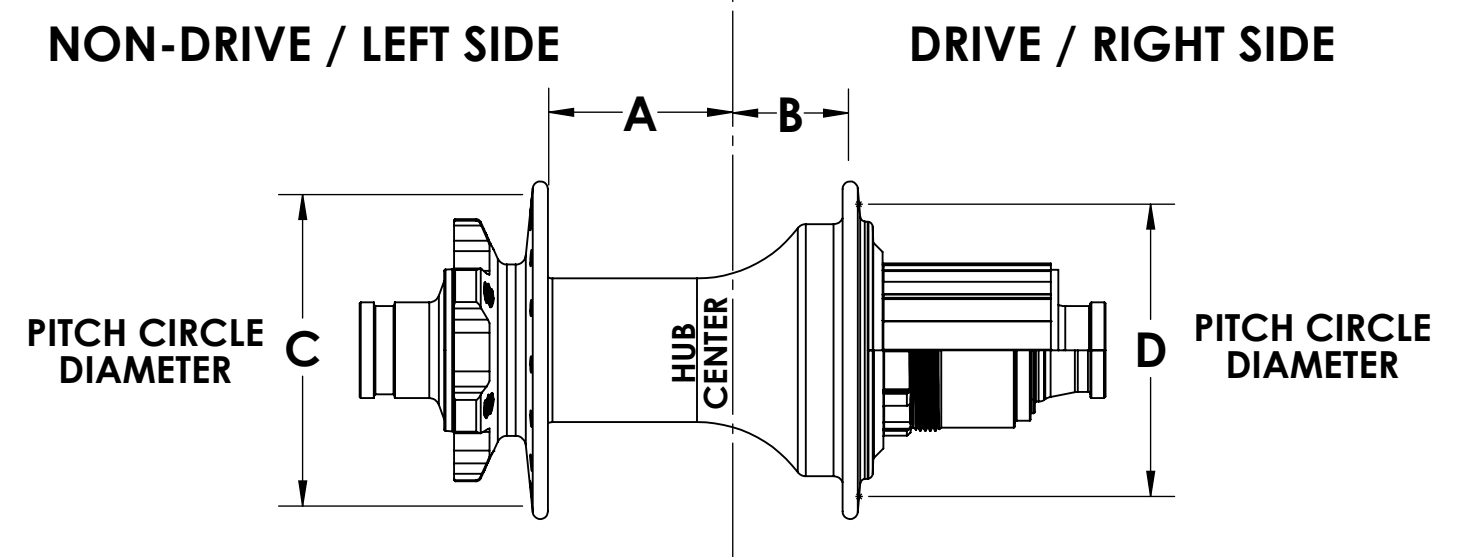
NOTES-  
1. ALL DIMENSIONS ARE IN mm.

		REVISIONS	
REV.	DATE	DESCRIPTION	DRAWING BY
A	1/27/2020	RELEASE	T CUMMINGS

## FRONT HUB DIMENSIONS



## REAR HUB DIMENSIONS



Race Face Trace J-bend Hub Dimensions (mm)		Center to Flange Distance		Pitch Circle Diameter		Spoke Hole Diameter	Spoke Hole Count
		Non-Drive / Left Side A	Drive / Right Side B	Non-Drive / Left Side C	Drive / Right Side D		
Front	J615 - 15x110 Boost	27	37	58	58	2.50	32
Rear	J624 - 12x148 Boost	39	22	58	58		or
	J622 - 12x157	42	26.5				

This document contains proprietary information belonging to Race Face / Easton Cycling



This information may not be disclosed to others for any purpose nor used for manufacturing purposes without express written permission from Race Face / Easton Cycling

DWG. SIZE: B  
SCALE: 1:1  
SHEET: 1 of 1

**RACEFACE EASTON**  
CYCLING

FOX FACTORY INC. TAIWAN BRANCH  
No.8, Jingke 6th Rd., Nantun Dist., Taichung City 408, Taiwan (R.O.C.)  
915 Disc Drive, Scotts Valley, CA 95066 USA  
#209 - 8327 East Lake Dr. Burnaby, BC V5A 4W2 Canada

DESCRIPTION:  
HUB ASSEMBLY; TRACE J-BEND; HUB DIMENSIONS

ID # OF REFERENCED PART / ASSEMBLY: 10038849      REV: A