

TORO[®]

6.5" COMPONENT & COAXIAL SPEAKERS



F6K/F6
USER MANUAL



TORO TECH LLC.

www.toroaudio.com

Dear Customer,

Thank you for your decision to purchase TORO AUDIO F6/F6K Speakers! Our Speakers are the result of extensive engineering, testing, and bullet proof construction. Their versatility enables daily driver to competition applications.

For the best performance and longevity of your new TORO AUDIO Speakers we suggest this product be installed by an Authorized TORO AUDIO retailer. Please take this user guide with you for installation and follow our recommended enclosure specifications and have tuned by a professional to account for variables within your vehicle.

Ensure that you are using authentic installation accessories to ensure the longest life out of your products. 100% pure copper wire is suggested through your system.

Please read your warranty and retain your receipt and original packaging for possible future use. If after reading this manual you still have questions regarding this product please visit our website at www.toroaudio.com for service and support.

THANK YOU FOR YOUR SUPPORT!

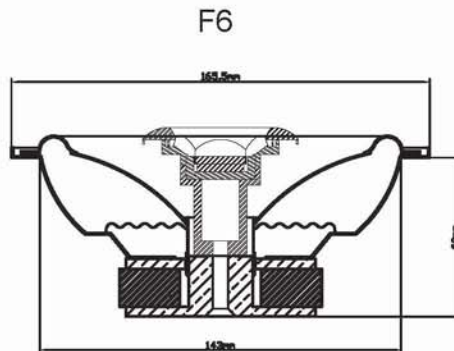
CAUTION:

High powered audio systems in a vehicle are capable of generating higher than "Live Concert" levels of sound pressure. Continued exposure to excessively high volume sound levels will cause hearing loss or damage. Also, operation of a motor vehicle while listening to audio equipment at high volume levels may impair your ability to hear external sounds such as horns, warning signals, or emergency vehicles thus creating a potential traffic hazard. In the interest of safety TORO AUDIO highly recommends listening at lower volume levels when driving.

WWW.TOROAUDIO.COM

General Features:

- * Heavy Gauge Steel Powder Coated Basket
- * High-Energy Y30 Magnets Assures Sufficient Magnetic Force Needed For High Sensitivity And Accurate Sound Reproduction
- * Two Piece Custom Paintable Metal Grill
- * Custom Woven Fiber / Paper Cone With Butyl Rubber Surround
- * High Quality Cloth Spider With Polyester Fiber
- * 1" High Temperature KSV Voice Coil
- * 13mm Hard Dome Tweeter With Ferro Fluid Cooled V.C.
- * Custom Competition Grade 12 dB Crossover With TORO Logo (Kit)



Model	F6	F6K
Woofer Size	6.5"	6.5"
Tweeter Size	13mm PEI	13mm PEI
Frequency Range	50-20KHz	50-20KHz
SPL @ 1W	93dB	93dB
Watts RMS	60W	100W
Maximum Power	120W	200W
Impedance	4 ohm	4 ohm
Crossover Point	N/A	2.5K
Frame Diameter	6.52"	6.52"
Mounting Depth	2.36"	2.36"
Mounting Diameter	5.63"	5.63"

