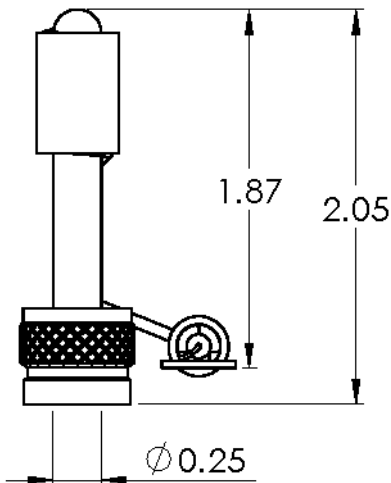
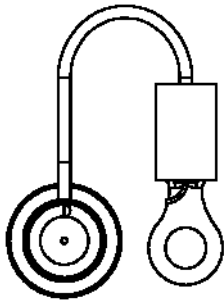


# HCHT500ST Hollow Cathode Tip



- This hollow cathode tip is commonly within the discharge cathode electron source in gridded ion sources.
- This HCHT500ST tip is a patent-pending long-life version of our standard HCHT500 tip. Both are otherwise identical in form, fit, and function.
- 1/4 inch diameter cathode tube, 2.054 inch overall length.
- The heater cable has a #10 ring terminal electrical connection at the base of the cathode.
- Internal patented low work function insert (Pat. No. 10,002,738)



Plasma Controls, LLC  
Fort Collins, Colorado

[info@plasmacontrols.com](mailto:info@plasmacontrols.com)