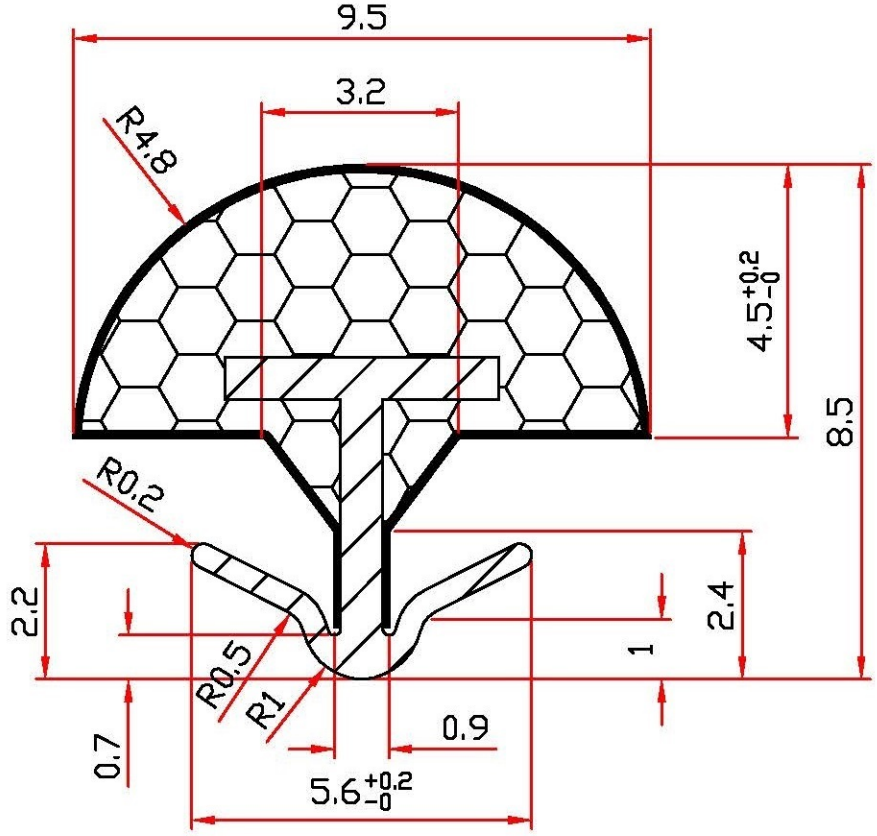
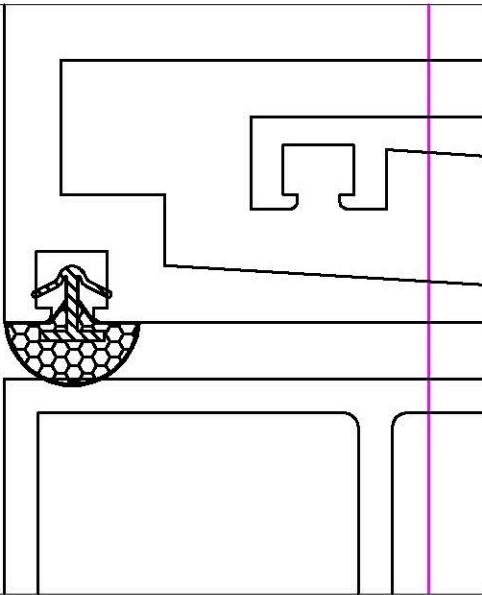


LINEAR DENSITY ±5%Kg/m	AREA 59.65 mm ²	WEIGHT ±5%Kg/pcs	VOLUME cm ³	SCALE 1 : 1	REV. 0	SECTION NO.
---------------------------	-------------------------------	---------------------	---------------------------	----------------	-----------	-------------

SCALE 1:1



SIZE TOLERANCE	
RANGE	TOLERANCE
0-<1.5	±0.15
1.5-<2.5	±0.20
2.5-<4.0	±0.25
4.0-<6.3	±0.35
6.3-<10	±0.40
10-<16	±0.50
16-<25	±0.70
25-<40	±0.80
40-<63	±1.00
63-<100	±1.30
ABOVE 100	±1.50

UNSPECIFIED CORNERS --- mm RAD.
UNSPECIFIED THICKNESS --- mm

SECTION NO. W-QL3050(B)
MATERIAL PEVA+PP+PU
HARDNESS

DRAWN
DATE 2015/04/01
APPROVED
CHECKED

