

LINEAR DENSITY
0.022 ±5%Kg/m

AREA
54.60 mm²

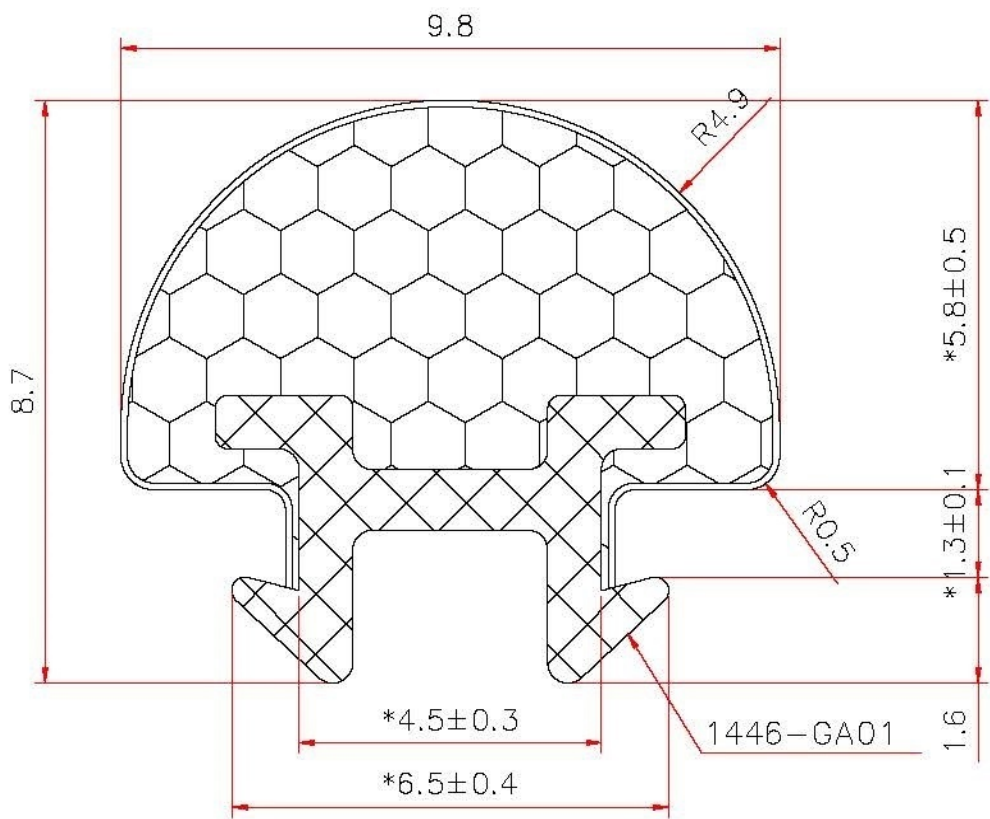
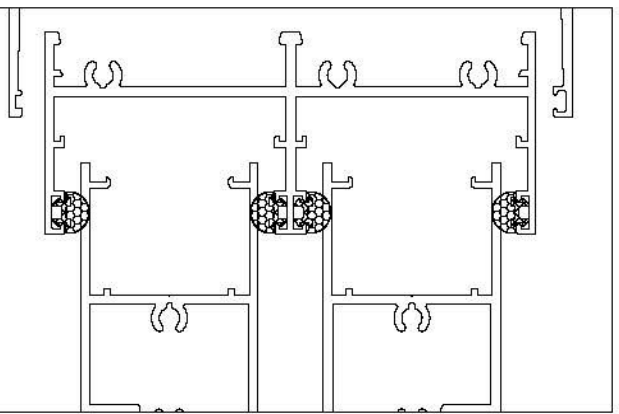
WEIGHT
±5%Kg/pcs

VOLUME
cm³

PROJECT



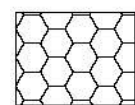
SCALE 1:1



PEVA 24.20mm
2.42mm²



Santoprene 12.69mm²
95°±5°



39.49mm²

=1446-PA-02



SIZE TOLERANCE	
RANGE	TOLERANCE
0-<1.5	±0.15
1.5-<2.5	±0.20
2.5-<4.0	±0.25
4.0-<6.3	±0.35
6.3-<10	±0.40
10-<16	±0.50
16-<25	±0.70
25-<40	±0.80
40-<63	±1.00
63-<100	±1.30
ABOVE 100	±1.50

SECTION NO.
W-QL3038

MATERIAL
PEVA+Santoprene+PU

HARDNESS

DRAWN
PSC

DATE
2016/03/31

APPROVED

CHECKED

