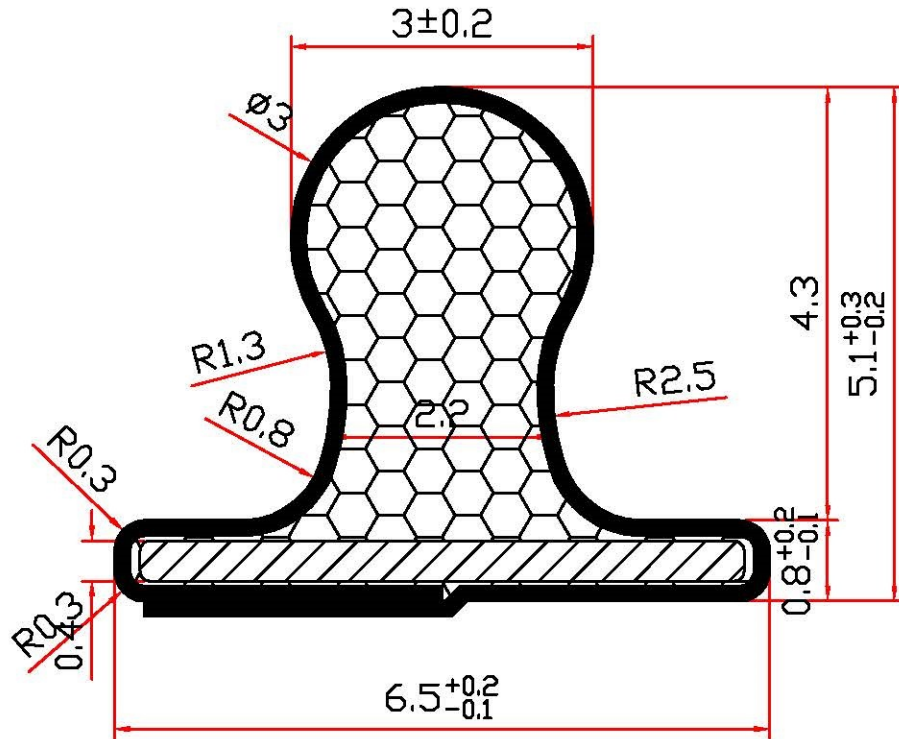


| | | | | | | |
|--------|-----------------------|------------|-----------------|-------|------|-------------|
| WEIGHT | AREA | OUT PERIM. | VOLUME | SCALE | REV. | SECTION NO. |
| Kg/m | 15.97 mm ² | mm | cm ³ | 1 : 1 | 0 | |

Ω
SCALE 1:1



| SIZE RANGE | TOLERANCE |
|------------|-----------|
| 0-1.5 | ±0.15 |
| 1.5-2.5 | ±0.20 |
| 2.5-4.0 | ±0.25 |
| 4.0-6.3 | ±0.35 |
| 6.3-10 | ±0.40 |
| 10-16 | ±0.50 |
| 16-25 | ±0.70 |
| 25-40 | ±0.80 |
| 40-63 | ±1.00 |
| 63-100 | ±1.30 |
| ABOVE 100 | ±1.50 |

UNSPECIFIED CORNERS --- mm RAD.
UNSPECIFIED THICKNESS --- mm

| |
|-------------------------------|
| SECTION NO. PQ65510 |
| MATERIAL PU Sponge |
| HARDNESS |

| |
|--------------------|
| DRAWN |
| DATE 2011/12/23 |
| APPROVED |
| CHECKED |

