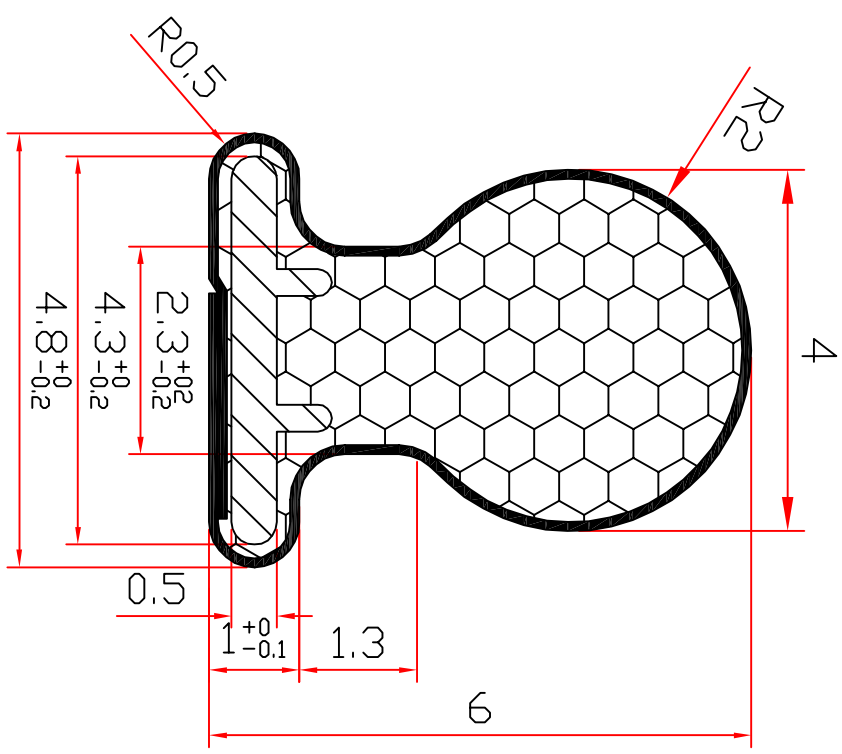


WEIGHT	AREA	DUT PERIM.	VOLUME	SCALE	REV.	SECTION NO.
Kg/m	mm ²	mm	cm ³	1 : 1	0	
	17.55					

SCALE 1:1



CUSTOMERS APPROVAL DRAWING

EXCLUSIVE SHAPES. IN THOSE INSTANCES WHERE THE SHAPE IS DEVELOPED AS AN 'EXCLUSIVE', THE CUSTOMER WHOSE NAME APPEARS ON THIS DRAWING SHALL ACCEPT FULL RESPONSIBILITY FOR ALL CLAIMS MADE AGAINST THE CUSTOMER OR PERSONS CLAIMING UNDER THE CUSTOMER, OR WING KAY THAT THE EXTRUDED SHAPES SHOWN AND PRODUCTS MADE FROM IT, INFRINGES ANY PATENT, REGISTERED DESIGN OR COPYRIGHT IS THE SUBJECT OF CONFIDENTIAL INFORMATION, THE CUSTOMER SHALL INDEMNIFY WING KAY AGAINST ALL DAMAGES, LOSSES AND EXPENSES ARISING OUT OF ANY CLAIM.

SHAPE DIMENSIONS. THIS DRAWING HAS BEEN CHECKED FOR CORRECT DIMENSIONS, TOLERANCES AND ANY OTHER SPECIAL REQUIREMENTS BY THE CUSTOMER. ALTERATIONS MADE AFTER TOOLING MANUFACTURE IS COMMENCED WILL BE AT OUR ACCOUNT.

CUSTOMER: _____
 SIGNATURE: _____
 DATE: _____

SIZE RANGE	TOLERANCE
0-<1.5	±0.15
1.5-<2.5	±0.20
2.5-<4.0	±0.25
4.0-<6.3	±0.35
6.3-<10	±0.40
10-<16	±0.50
16-<25	±0.70
25-<40	±0.80
40-<63	±1.00
63-<100	±1.30
ABOVE 100	±1.50

UNSPECIFIED CORNERS --- mm RAD.
 UNSPECIFIED THICKNESS ---- mm

SECTION NO.	W-QL3143
MATERIAL	PU Sponge
HARDNESS	

DRAWN	Liu Yong
DATE	2013/05/06
APPROVED	
CHECKED	

= 1850-RS-91-AW



PRC TEL +86 757 25330008 FAX +86 757 25330009
 HK TEL +852 29046818 FAX +852 25625698
 Http://www.wingkay.com E-MAIL:wingkay@wingkay.com