

AIRCON



CHILLOUT
SYSTEMS



REGISTER YOUR SYSTEM

To activate your warranty, scan the provided QR code or navigate to <https://chilloutsystems.com/pages/product-registration>.

Products must be registered within 30 Days of purchase.



INCLUDED

- 1x AirCon Helmet Cooler
- 1x Wiring loom
- 1x Carbon fiber baseplate
- 2x Quick release pins
- 4x Rubber isolators

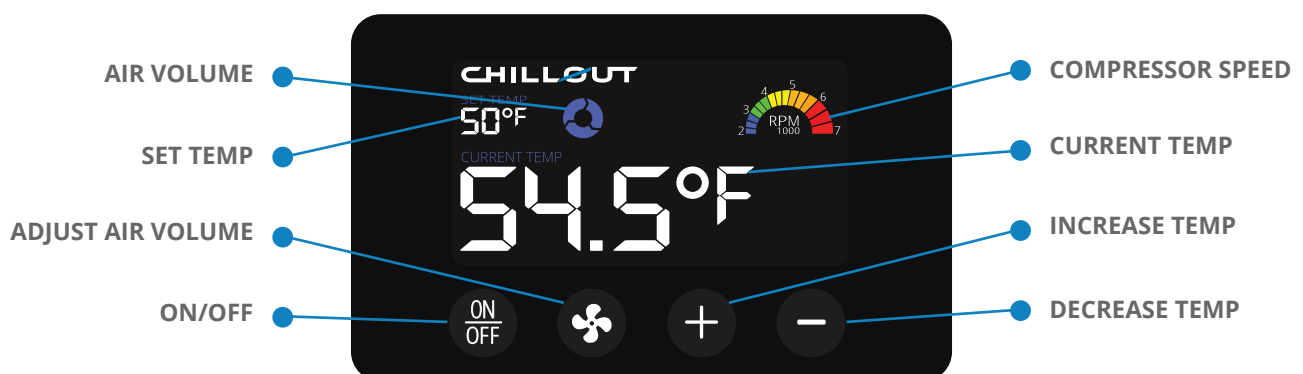
SPECIFICATIONS

	RATED COOLING CAPACITY 500 watts		COOLER SIZE Length: 12.32in / 313mm Width: 6.69in / 170mm
	WORKING VOLTAGE 12V/24V		WEIGHT Cooler: 9.92lbs / 4.5kg Mounting Plate: 6oz / 170gms
	MAX CURRENT 30A/15A		AIR TEMP SETTINGS 50°F - 80°F / 10°C - 26°C Increases in 5° increments
	COMPRESSOR Micro Brushless Inverter Rated Voltage: 24V Displacement: 1.9cc		AIRSPEED SETTINGS Low/Medium/High
	FAN Axial Flow (2) Rated Voltage: 24V		OPERATING TEMPERATURE 32°F - 130°F / 0°C - 54.4°C
	BLOWER Rated Voltage: 24V Max Air Volume: 18.75cfm		STORAGE TEMPERATURE 32°F - 140°F / 0°C - 60°C
	OUTPUT AIR HOSE SIZE Width: 1.25in / 31.75mm		



SYSTEM DISPLAY

The AirCon Helmet Cooler can be controlled via the buttons on the system or by wired remote (sold separately).



BUTTON SETTINGS



ON|OFF
Long press to turn the system On/Off.



Air Volume Settings
Short press between three settings (Low, Medium, and High). The currently selected **Air Volume** is shown on the display. To return, wait 2 seconds and short press again.



Increase System Temperature
Short press the button to switch to the fluid temperature setting. Press again to increase the fluid's temperature (Increments of 5 degrees fahrenheit).



Decrease System Temperature
Short press the button to switch to the fluid temperature setting. Press again to decrease the fluid's temperature (Increments of 5 degrees fahrenheit).

MOUNTING THE BASEPLATE



- Determine the best location to mount your system inside the car. Keep your system away from any heat sources to ensure maximum cooling efficiency. Ensure there is a sufficient gap between the back of the unit so that the air can circulate freely.
- Using the systems baseplate as a guide, carefully outline the preferred install location.
- Drill out the holes so that you can install the rivnuts to the vehicle. Once the rivnuts are installed, you can attach the base plate to the vehicle. Install the provided rubber isolators between the base plate and the installed rivnuts to keep airflow underneath the unit.

DUCTING AND PLENUMS



When installing a NACA duct and plenum, consider using **Chillout System's** 4-inch ducting and plenums. With nearly twice the airflow as 3-inch ducting, this is the most efficient way to keep your system cool. In some cases 3-inch ducting may be the only option. In this case, the system must be paired with a in-line 3-inch blower rated at 275 cfm.

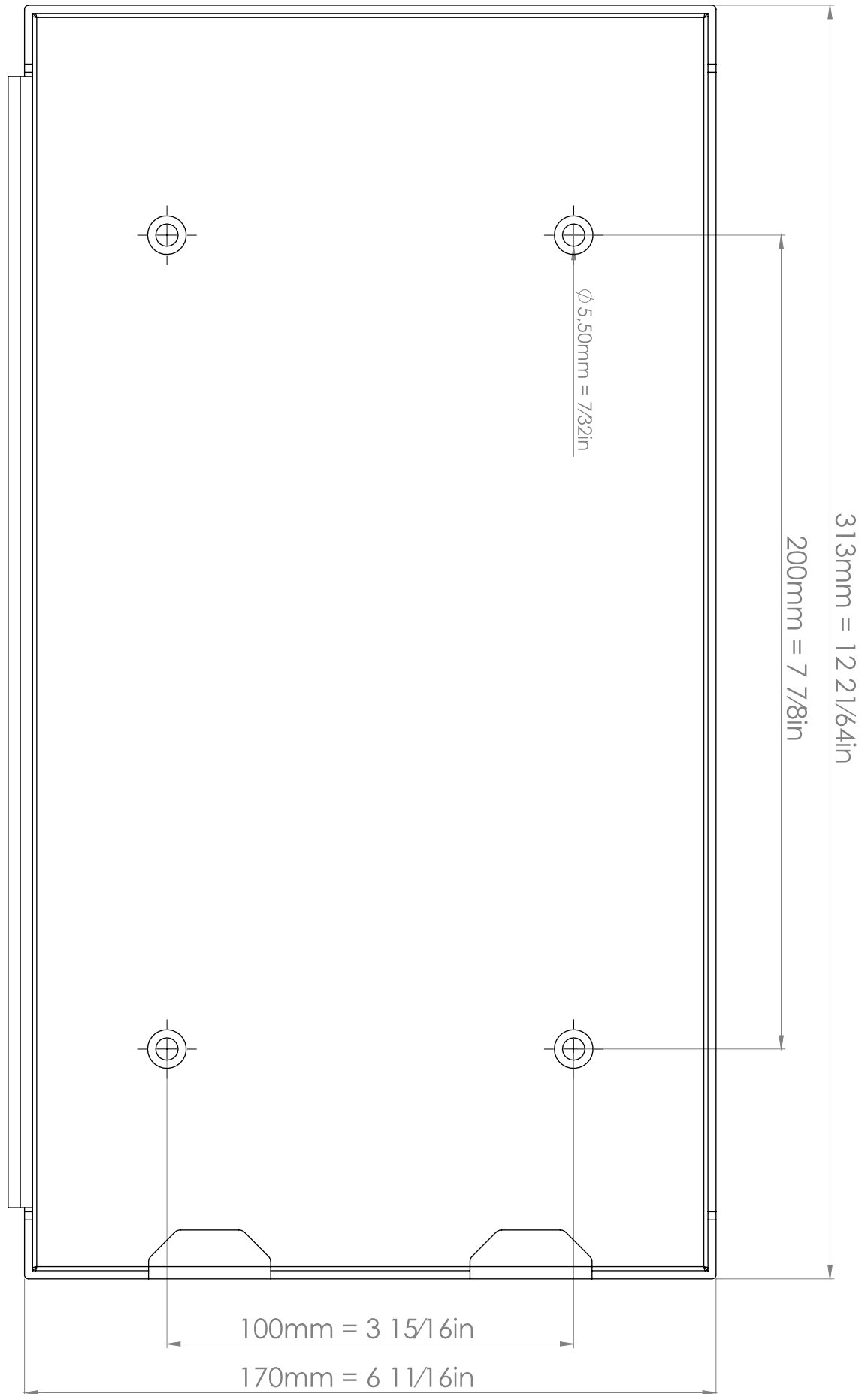
- Place the NACA Duct and use marker or liquid chalk to trace an outline to the vehicle. Once the outline has been traced onto your window, a rotary cutting tool can be used to cut out the outline. We recommend using M4 nuts and bolts to secure the NACA duct to a lexan window.

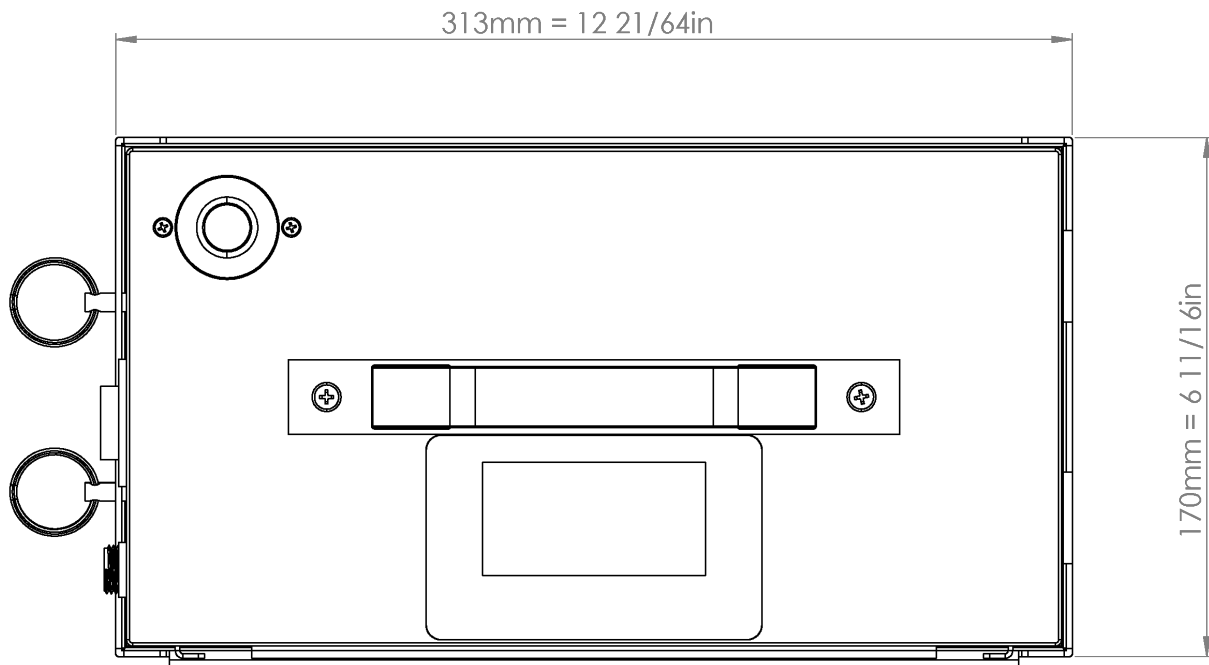
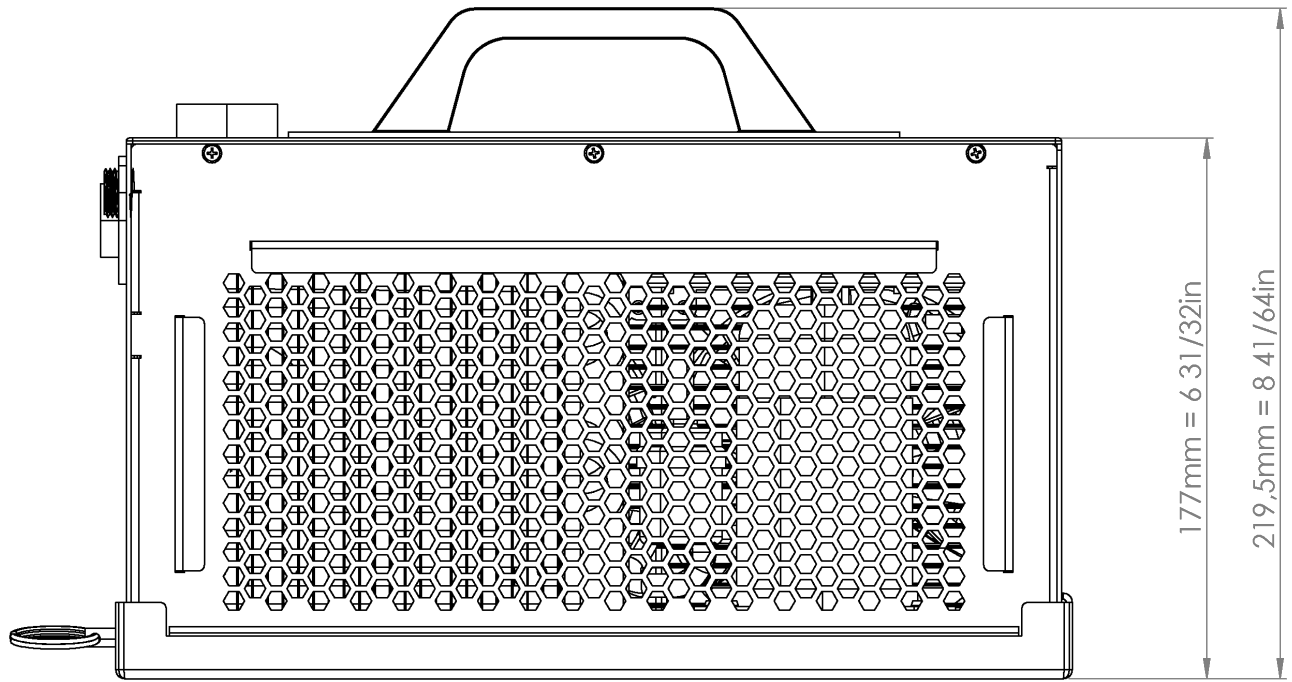
BATTERY TERMINAL LAYOUTS



Please use the following as a reference when advising the terminal layout required for your battery.

- When determining the terminal layout always face the terminal side (terminals closest to you) to avoid confusion / misinterpretation.
- Determine the length of wire required and trim the excess (Our wiring harness uses 8 AWG wire).







SERVICING

- Deep cleaning of all internals (includes fans, condenser, controller boards).
- Servicing of the cooling system.
- Freon pressure check and top-up (if necessary).
- Performance checks and optimization.

REPAIR/REPLACEMENT

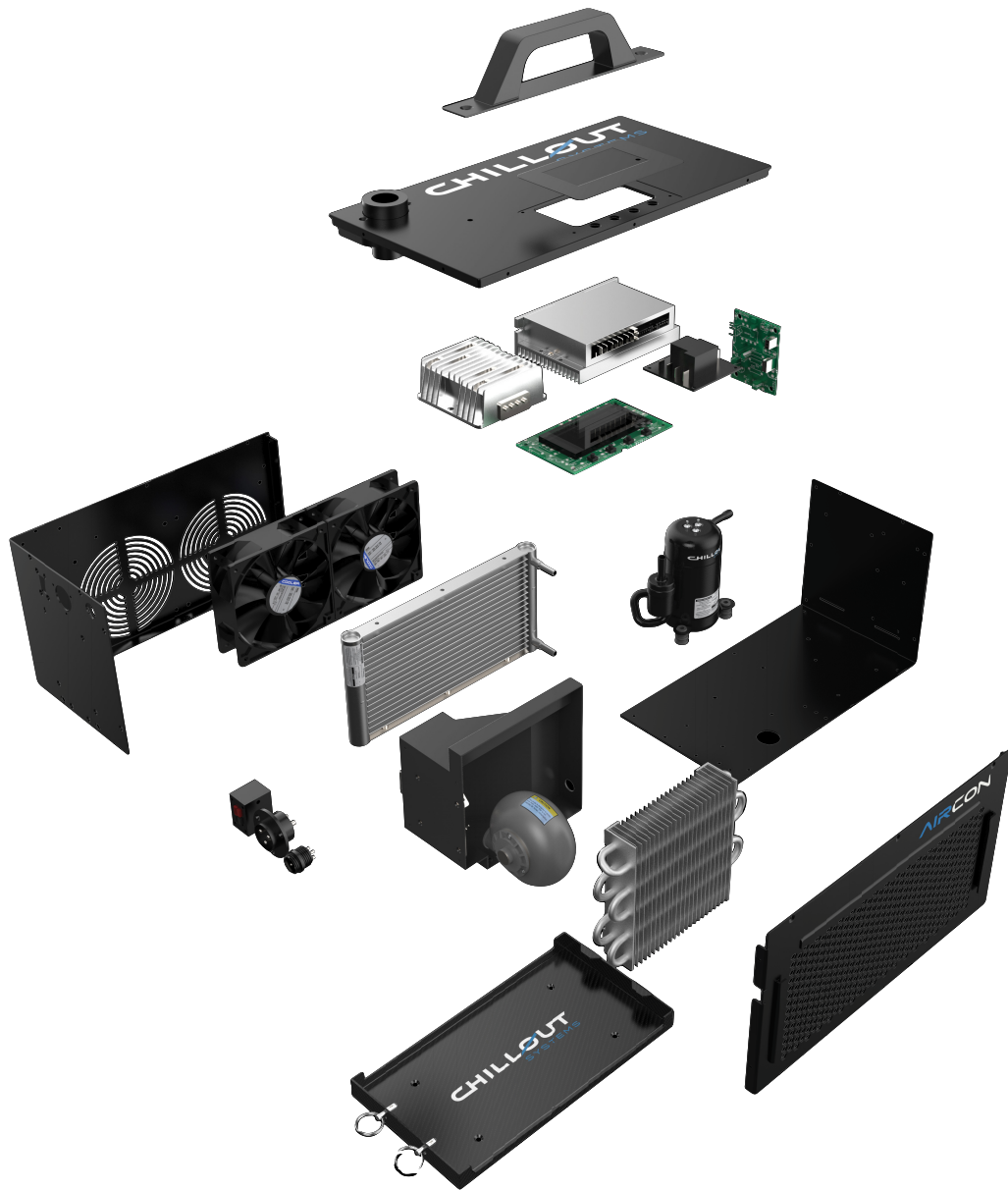
In the unlikely event of a failure to your system, within your extended warranty we will expedite a replacement cooler to you via Express Air Service.

Your system will be diagnosed, serviced, repaired, and sent back to you.



CHILLOUT
SYSTEMS

AIRCON



CHILLOUT
SYSTEMS