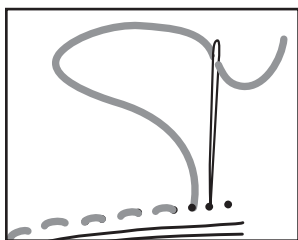
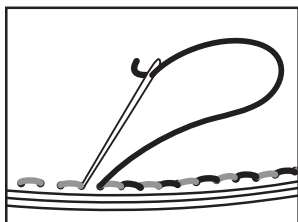


NOTE: Do all tooling, dyeing and finishing before assembly.

DOUBLE RUNNING STITCH INSTRUCTIONS

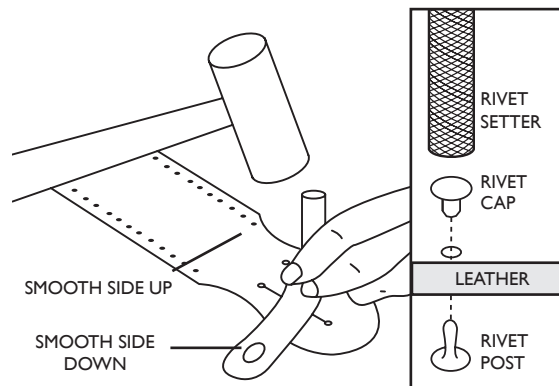


• Attach needle to one end of thread. Begin stitching from back of project, leaving 6" of thread to tie off later. Stitch in and out around kit.

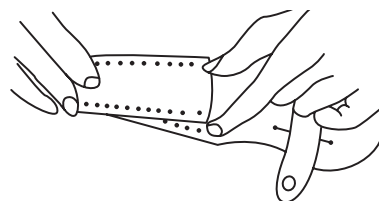


• At last hole, turn and stitch back filling in between previous stitches.
 • Back at starting hole, pull thread tight, tie ends in a knot on back side and trim thread close to leather.

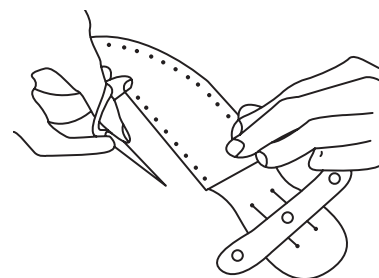
HINT: For a more finished look, tap stitches down flat with a mallet. Finish edges of sheath if desired.



STEP 1: Align the hole in the center of the safety strap with the hole located between the belt slits on the back piece and fasten with rivet as shown.



Step 2: Align the lacing holes of the front piece with the holes on the back piece, smooth sides up.



STEP 3: Stitch parts together using the hand stitch as shown.

EST **tandy** 1919
LEATHER

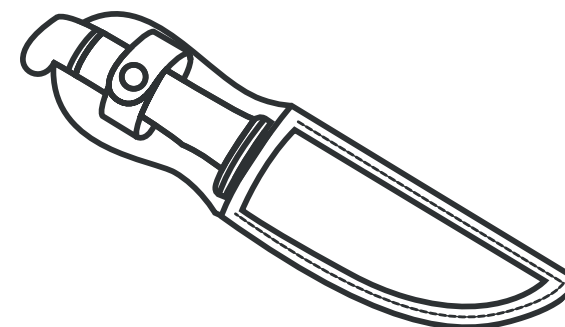
Distributed by Tandy Leather 1900 SE Loop 820, Fort Worth, TX 76140
 Made in the USA with global components.
 ©2022 Tandy Leather. All rights reserved

SMALL KNIFE SHEATH

FUNDA DE PARA CUCHILLO
 POCHETTE POUR COUTEAUX

LEVEL

2



WARNING:
 CHOKING HAZARD - small parts. not for children under 3 years.
 CONTAINS FUNCTIONAL SHARP POINT - Adult supervision recommended.

ADVERTENCIA:
 PELIGRO DE ASFIXIA - Piezas pequeñas. uso no apto para niños menores de 3 años.
 CONTIENE ALGUNAS PARTES AFILADAS - por lo que se recomienda usar siempre bajo supervisión de un adulto.

AVERTISSEMENT:
 RISQUE D'ÉTOUFFEMENT - les petites pièces ne sont pas pour les enfants de moins 3 ans.
 CONTIENT DES POINTES FONCTIONNELLES TRANCHANTES - la surveillance d'un adulte est souhaitable.

FOR MORE PATTERNS, PROJECTS, AND TIPS,
 VISIT TANDYLEATHER.COM/BLOG.

PATTERNS

