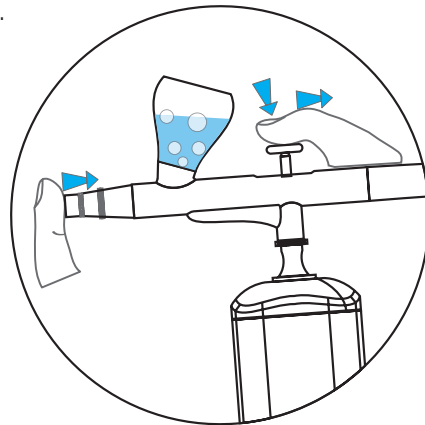


HOW TO CLEAN:

1. Fill the cup halfway with water.
2. Block the nozzle with your finger.
3. Press the trigger down and pull it backward.
4. Let the cup bubble for 30 seconds.
5. Spray until stream comes out clear to ensure all residue is cleared.
6. For even deeper cleaning, use Angelus® Cleaner (#2812-05) in place of water and repeat steps 1-5.

NOTE: Individual parts can also be removed and cleaned as needed.



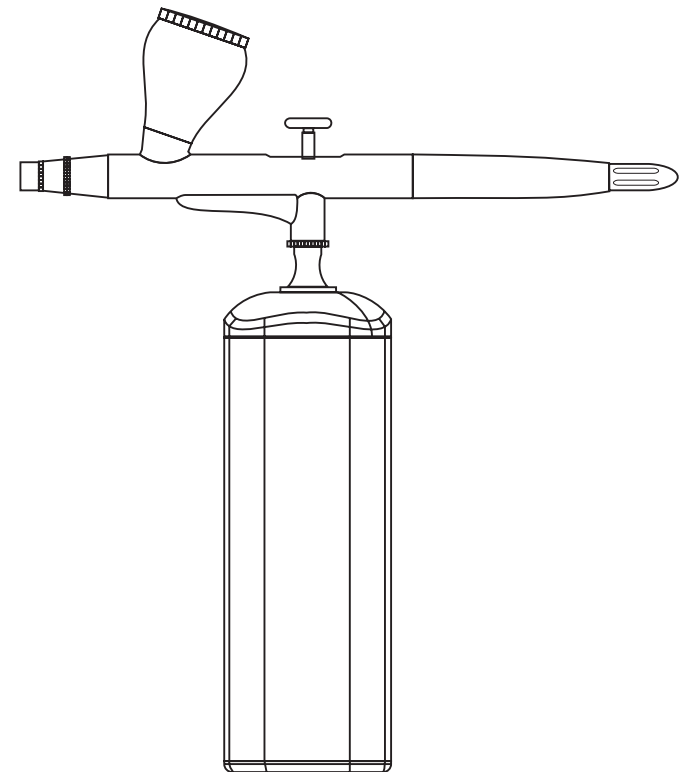
INSTRUCTIONS FOR USE

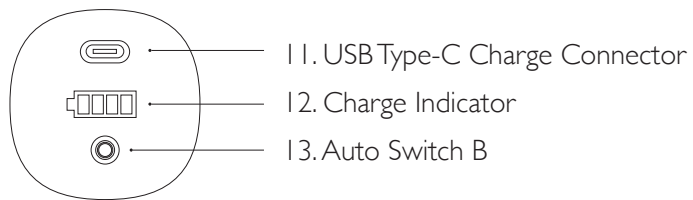
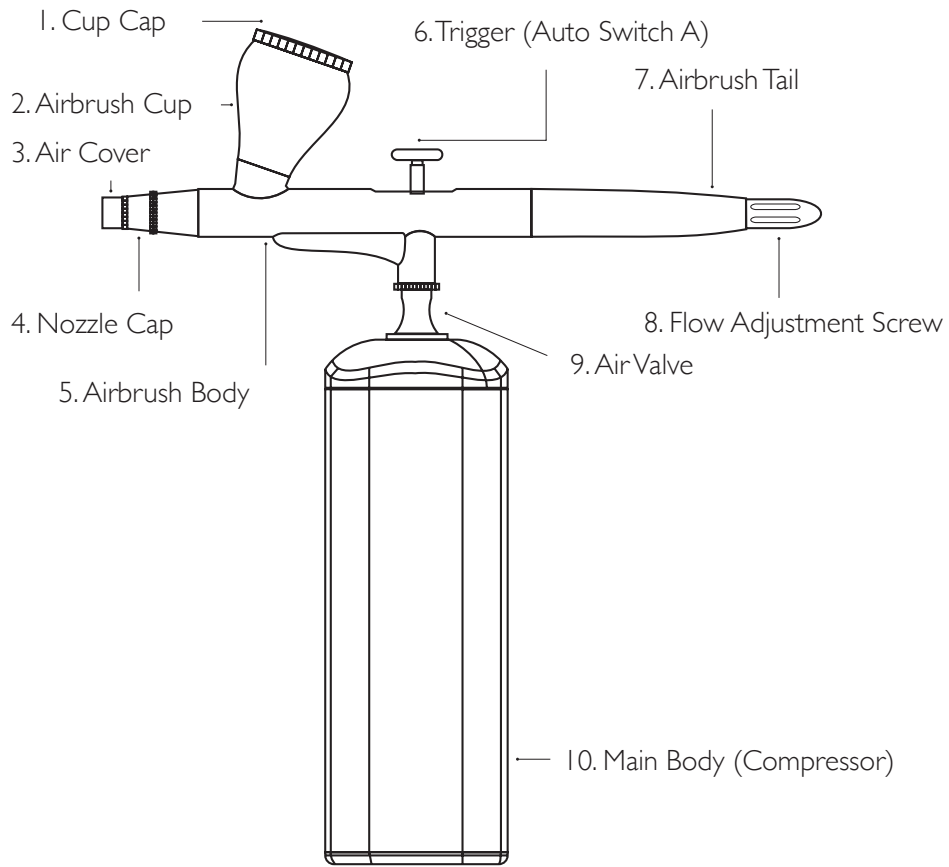
ALL-IN-ONE AIRBRUSH
3940-00

CRAFTOOL®

PARAMETERS:

NAME: ALL-IN-ONE AIRBRUSH
MODEL NO. : 3940-00
SWITCH: Auto Intellectual Switch
PRESSURE: 20-2, 5 Psi
AIR-FLOW: 6-8L
POWER: 5W
CHARGING: 5V 1A USB Type-C
3.7v 2,000mAh
CHARGING: 1.5 hours Normal Use 40 min.





INSTRUCTIONS FOR USE:

