

Hedonist
POSEIDON



Contents

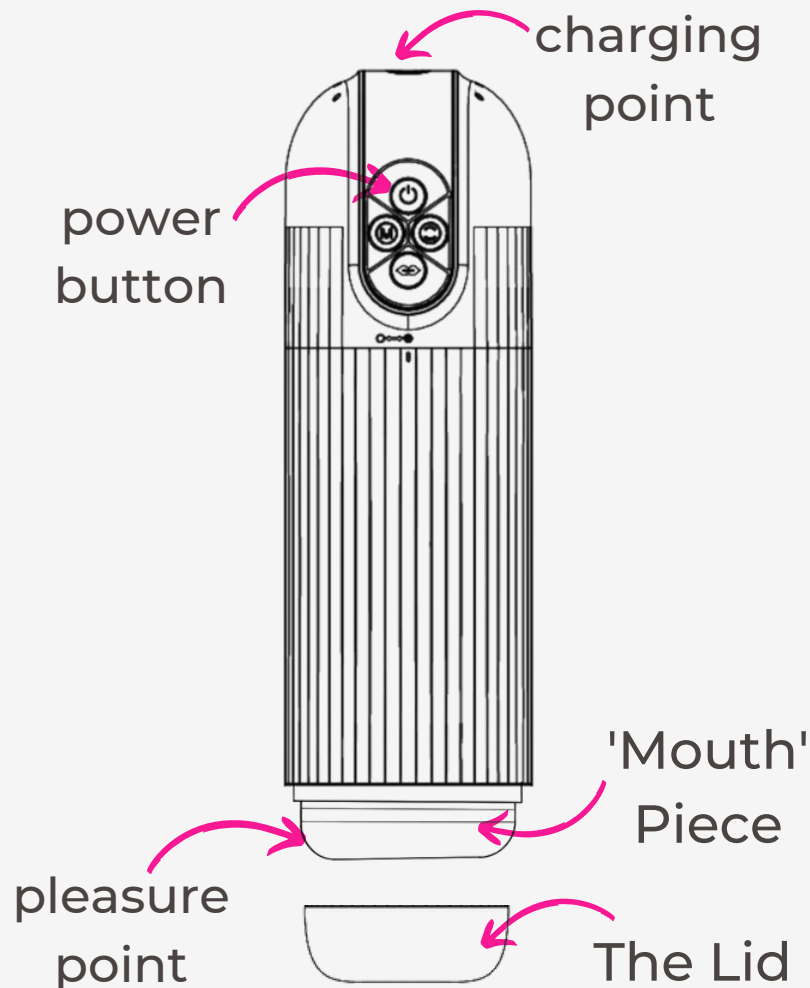
Your Hedonist journey begins today...

1. Getting started
2. Charging Guide
3. Using the Poseidon
4. Special Features
5. Cleaning, Storage & Safety.
6. Trouble Shooting
7. Warranty & Return
8. Product Specifications/Disclaimer

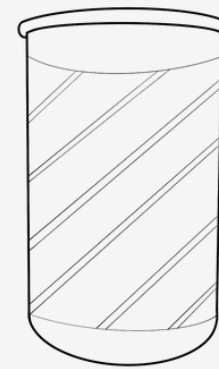
Getting started

Hedonist

Congratulations on acquiring the Poseidon. Before getting more closely acquainted with it, please take a moment to look through this product guide.



Inner Sleeve



External view



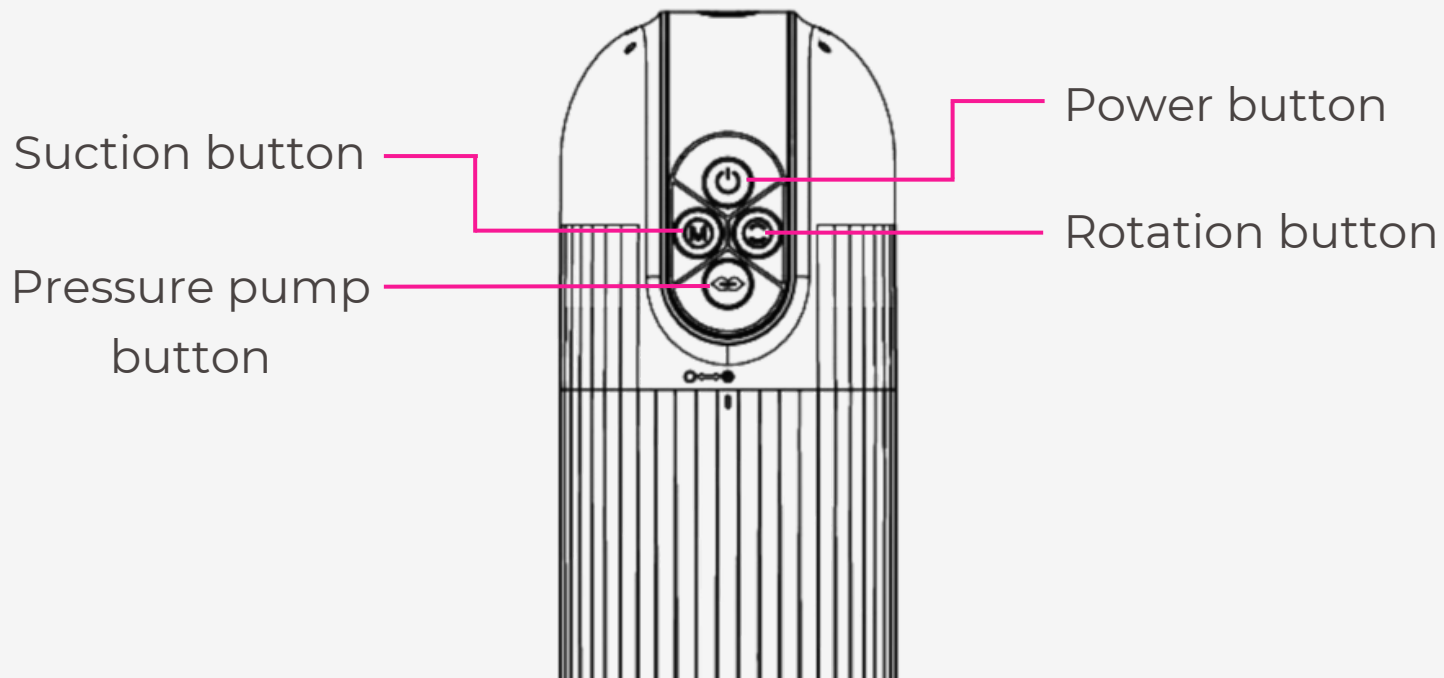
Internal view

- Before first use, charge your Poseidon for ~1.5 hours. For more details on charging, refer to [Charging Guide](#)
- Ensure the inner sleeve and the 'mouth' piece is fully fitted into the device before use. For more tips on how to use, refer here: [Using The Poseidon](#)

Continued...

Getting started

Hedonist



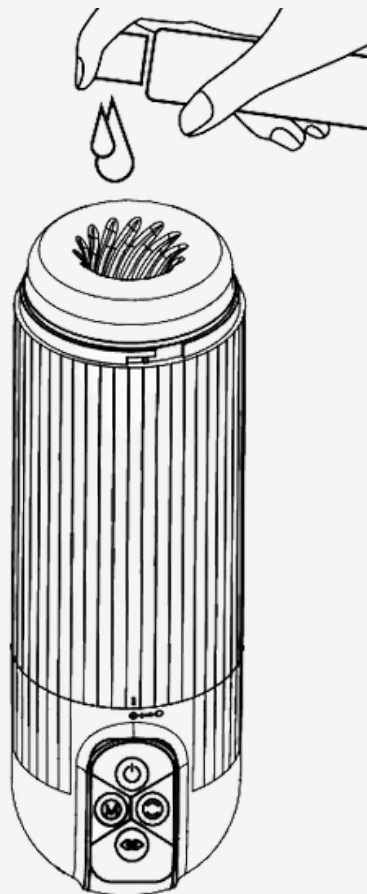
- Once charged, hold the 'Power' button for 3 seconds to activate
- Quick press the 'Rotation' button to adjust between 7 rotation modes
- Quick press the 'Suction' button to adjust between 7 suction modes
- Press and hold the 'Pressure pump' button to activate the constant suction feature. Keep holding down this button if you prefer a stronger suction
- For added stimulation, quick press the 'Rotation' button while the suction feature is still active for an elevated experience
- To reset and fully release the pressure in the barrel, simply quick press the 'Power' button

Using the Poseidon

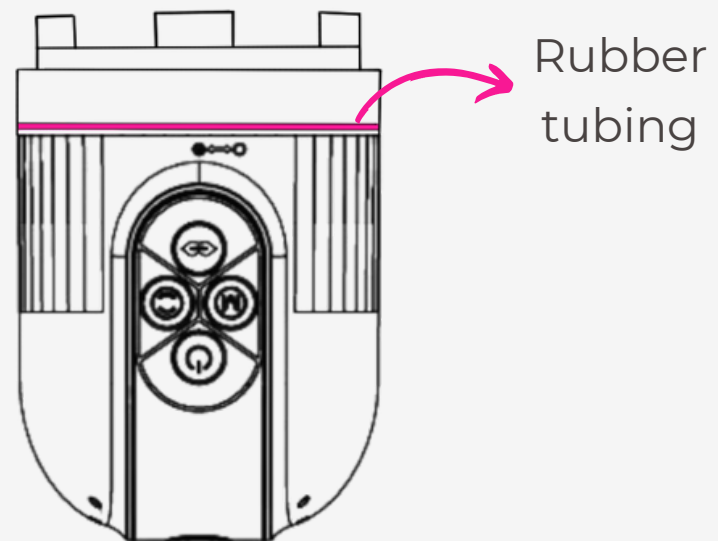
Hedonist

Explore the depths of your own pleasure with the Poseidon Rotating Suction Masturbator!

1. Before use, be sure to lube up



2. Secure its rubber tubing to prevent water leakage

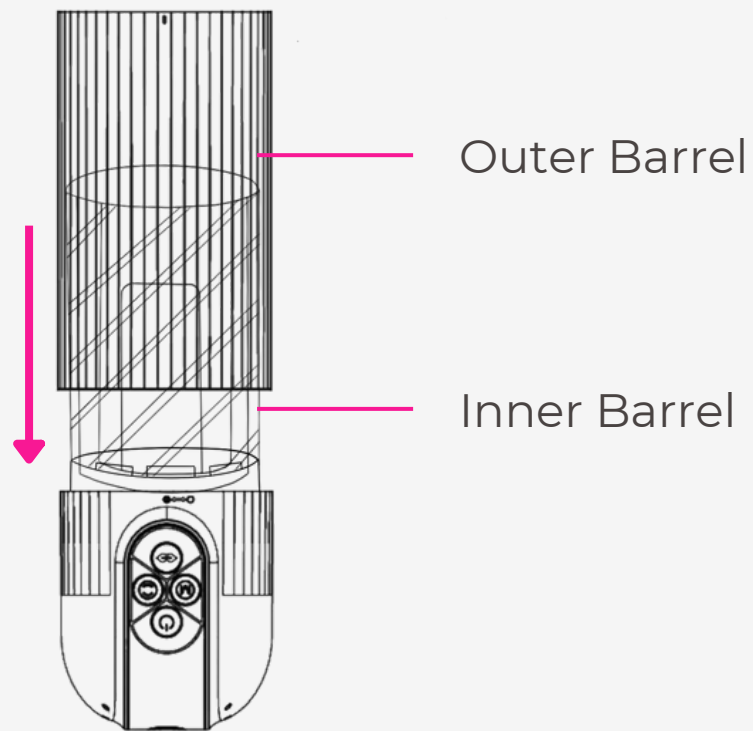


Continued...

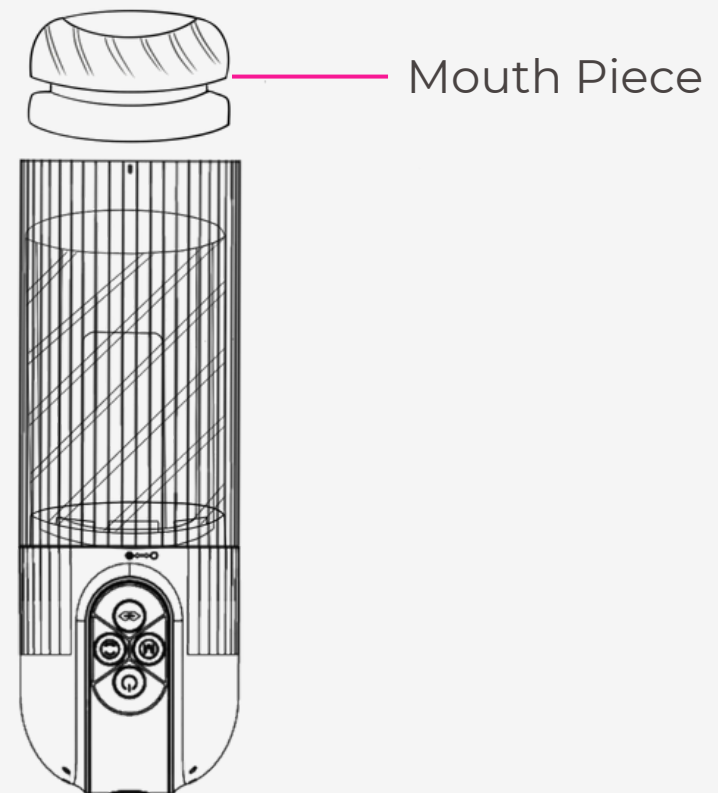
Using the Poseidon

Hedonist

This premium device has a variety of multi-sensory feature and, it even comes with a plush and soft sleeve to give you a truly mind-blowing experience.



3. Attach the inner barrel into the device first, then fasten the outer barrel by twisting it shut



4. Lastly, attach the 'mouth' piece onto the device and have fun

Special Features

1. Rotation mode:

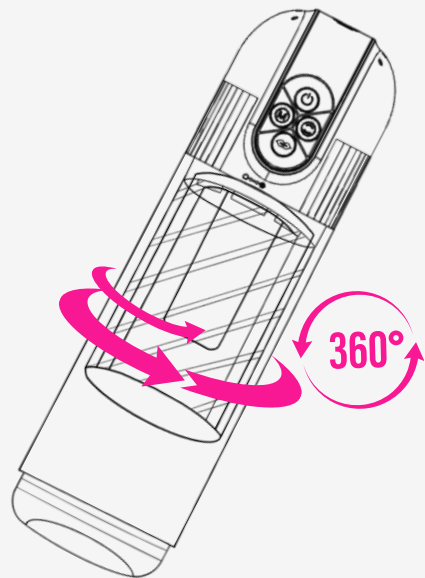
- Gently insert your penis into the Poseidon to enjoy up to 7 rotating modes, and take your pleasure to new heights

2. Suction mode:

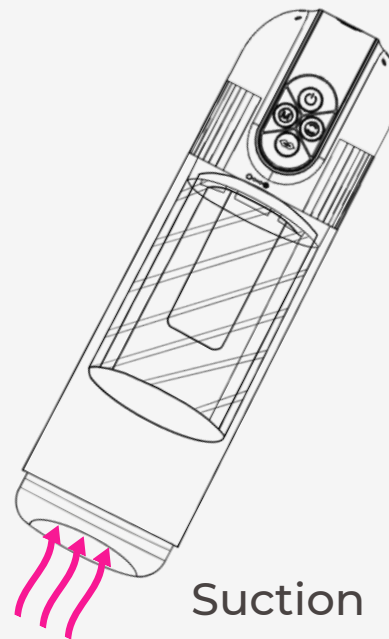
- Gently insert your penis into the Poseidon to enjoy up to 7 suction modes for a 'soul-sucking-out-of -body' experience

3. Pressure pump:

- Get pumped up! Gradually increase the vacuum pressure while your penis is in the Poseidon for that rush of blood flow



Rotation
feature



Suction
feature

Continued...

Special Features

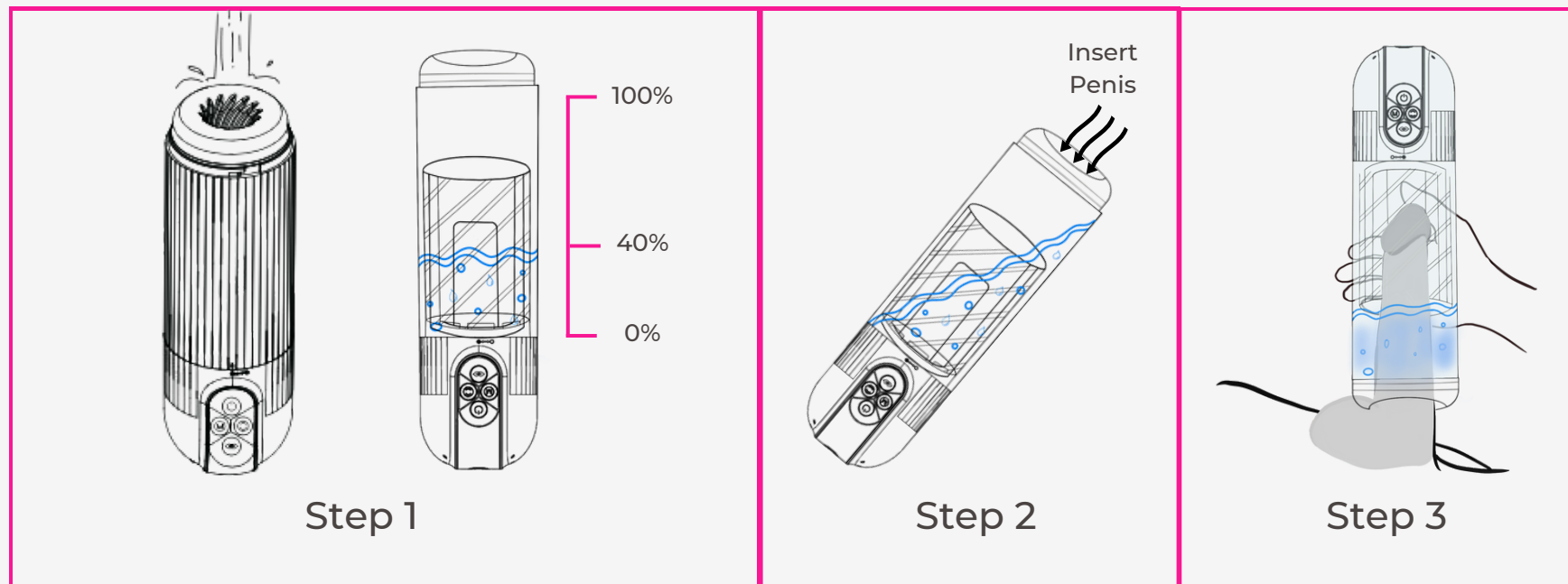
Hedonist

4. Pressure pump (with water):

The Poseidon is best used in the shower with this feature and it is also fully submergible in water. However do not fill the Poseidon with more than 40% water as it might overflow.

- Step 1: Fill the Poseidon with 40% of water
- Step 2: Slowly tilt the Poseidon and insert penis into the Poseidon
- Step 3: Find a comfortable position and have fun

*Disclaimer: Some water will escape though the spout due to the release of air pressure in the barrel

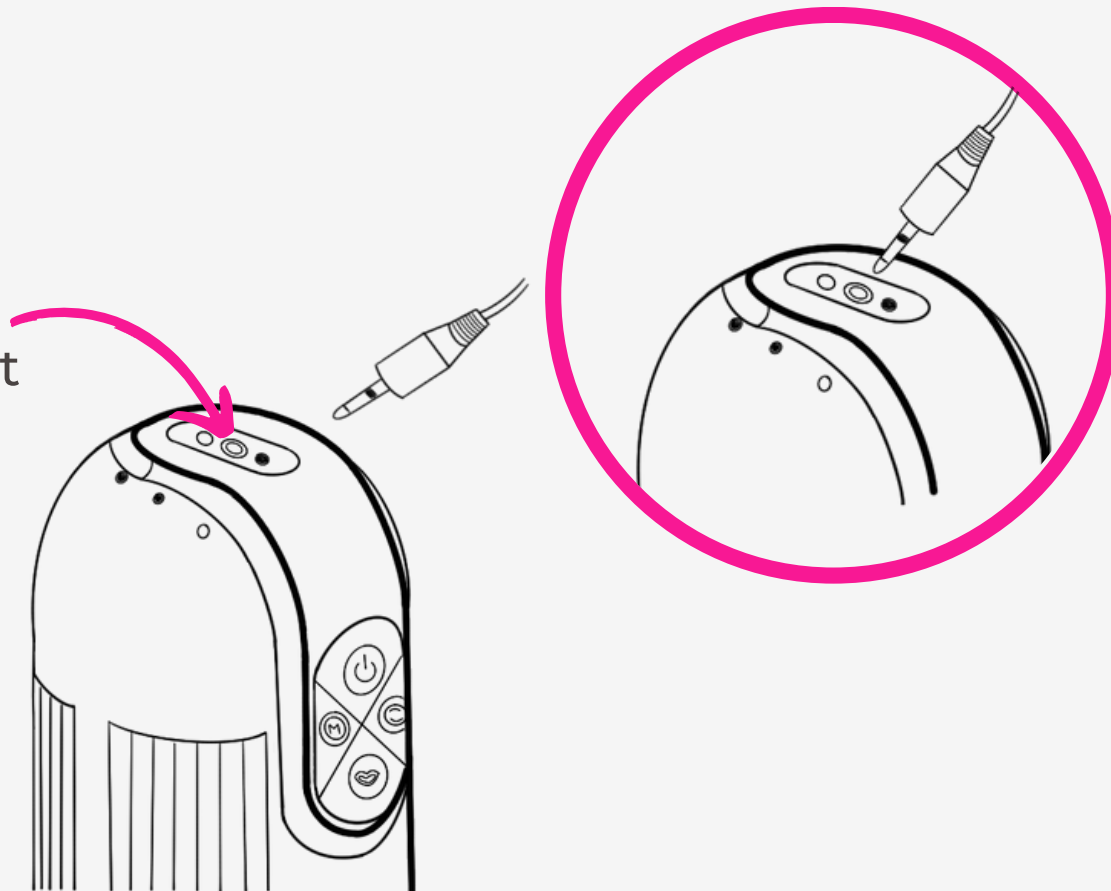


Charging Guide

Hedonist

- Ensure that the charging port is dry before charging
- Connect the charging cable to the DC port at the back of your Poseidon
- Insert the USB port into a USB power adaptor of 5V or less
- The LED light on the interface of your Poseidon will blink to indicate it is charging
- When it is fully charged (after ~1.5 hours), the LED will emit a steady glow
- Please disconnect charger once fully charged
- Avoid charging your Poseidon for a prolonged period of time

Connect to
charging point

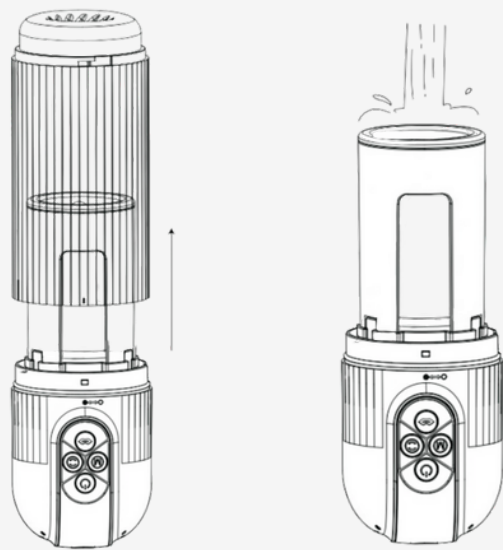


Cleaning, Storage & Safety

Hedonist

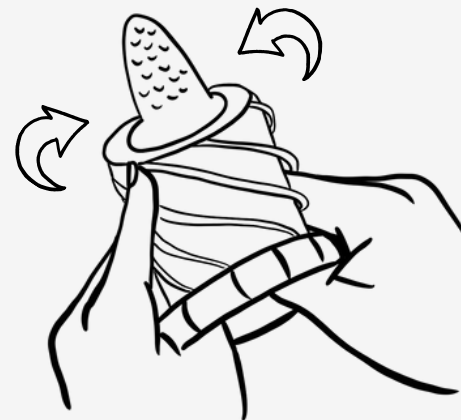
Your Poseidon will offer years of enjoyment with proper care and maintenance. Here are some tips to prolong the life span of your pleasure buddy:

1. Barrel Cleaning:



- Twist and pull out the outer cup barrel
- Next, gently pull out the inner barrel
- Give both the barrels a good rinse and leave it to dry with a soft cloth before reattaching it for another use

2. Inner Sleeve cleaning



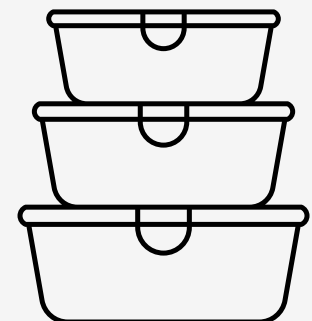
- Gently remove both the 'mouth' piece and the inner sleeve from the Poseidon to give it a good rinse
- To give your inner sleeve a thorough cleanse, flip it inside out and avoid using harsh soaps

Continued...

Cleaning, Storage & Safety

Hedonist

1. Avoid using your Poseidon with hand creams and silicone-based lubricants as it may harm the texture of the silicone toy
2. Always clean your Poseidon after every use with soap and water, then allow it to dry. The Poseidon is also fully waterproof (IPX7)!
3. Never use cleansers containing alcohol, petrol or acetone. And do not boil, bake, microwave, or clean the Poseidon in the dishwasher
4. Before storing it after a wash, be sure to reattach all the parts of the Poseidon and close its lid to avoid the accumulation of dirt, lint, and other harmful particles that may collect
5. Avoid leaving your Poseidon in direct sunlight and never expose it to extreme heat or cold



Troubleshooting

Hedonist

No LED light blink when charging?

- Battery may already be fully charged
- Battery may be drained and will take a few minutes to respond
- Charger may not be properly connected. Please check charging connections:
 - (i) Ensure USB connection is properly plugged to the main power socket;
 - (ii) Ensure the charging plug is fully inserted into the Poseidon's DC port

Not activated when the 'Power' button is pressed?

- Battery may be completely drained. Simply recharge your Poseidon
- Your Poseidon's interface may be locked. Hold down the power button for at least 10 seconds

If you experience any other problems with your Poseidon or if you have any questions regarding its operation, please contact us via hello@hedonisttribe.com.

Warranty & Return

Hedonist

All products come with a 180-Day Limited Warranty and 14-Day Return when purchased directly from www.hedonisttribe.com.

180-DAY WARRANTY

Hedonist warrants this pleasure device for a period of 180 DAYS, from the date of original purchase, against defects due to faulty workmanship or materials. The warranty covers working parts that affect the function of the pleasure object. It does NOT cover any defects caused by fair wear and tear or damage caused by accident, misuse or neglect. Any attempt to open or take apart the pleasure object (or its accessories) will void the warranty. If you discover a defect and notify Hedonist during the warranty period, Hedonist will, at its discretion, replace the pleasure object free of charge. To submit a warranty claim on the product, please write into hello@hedonisttribe.com.

14-DAY RETURN

All products have undergone high standards of quality control in testing every single product before sale. Nonetheless, we accept all returns for a period of 14 DAYS, from the date of original purchase. To be eligible for the return, the product's hygiene seal must not be opened or tampered with and the product must be in its original packaging kit (including the pouch and black box).

For more details on the warranty & return process, please refer to our policy here: www.hedonisttribe.com/pages/returns-and-warranty.

Product Specifications

Hedonist

Materials = ABS + TPE

Weight = 619g

Size = 260 * 80 MM

Charging = ~1.5 hr at 5V, 1 - 2A

User Time = ~60 mins

Interface = 4 buttons, 7 rotation modes, 7 sucking modes, pressure pump

Waterproof = IPX7

Disclaimer

Disclaimer: Users of this product do so at their own risk. Neither Hedonist nor its retailers assume any responsibility or liability for the use of this product. Changes or Modifications not expressly approved by the manufacturer could void the user's authority to operate the equipment.

Model may be changed for improvements without notice.

© 2023 HEDONIST. ALL RIGHTS RESERVED.

CURATED BY HEDONIST SINGAPORE

MANUFACTURED FOR HEDONIST IN CHINA

WEBSITE: WWW.HEDONISTTRIBE.COM

SUPPORT: HELLO@HEDONISTTRIBE.COM