



Product Specification Sheet

BARI

Company name: Valley

Reference number:

S1634.557.210

Product Description

- ADA Compliant
- Brushed stainless steel finish
- Easy to clean and maintain
- Dual pull-out spray head
- Single lever water & temperature control
- Pressure and leak tested
- Resist discoloration and corrosion
- Top-mount, single hole installation
- 360 - degree swivel spout
- Hot/Cold waterlines included
- 2.2 GPM / 8.3LPM flow rate

Finishing Options

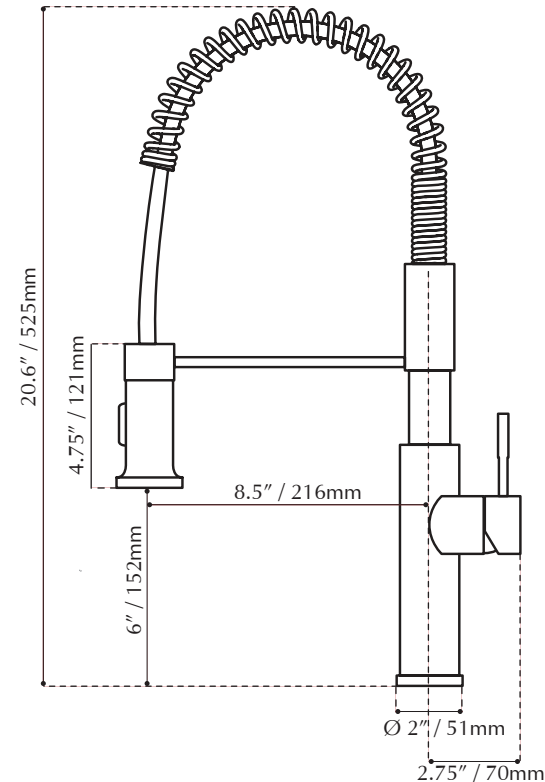


Brushed stainless steel

Shipping Information

Dimensions: 55.9 x 25.4 x 7.6 cm
22" x 10" x 3"

Weight: 2 kg / 4.4 lbs



Measurements may vary +/- 1/4"