



Product Specification Sheet

TULIP

Product Description

Above-counter design
Features a unique, tear-shaped hollow
Scratch, stain, and crack resistant
Overflow and drain assembly sold separately
Default finish: matte white
Made in Canada
Complies with CSA and IAPMO standards
Measurements: 43 by 14.75 by 4.57 inches

Finishing Options



Gloss Pearls White

Shipment Information

Dimensions: 114.3 x 40.6 x 17.8cm

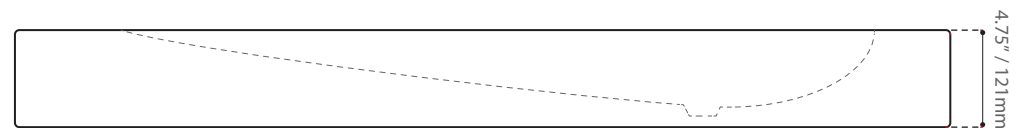
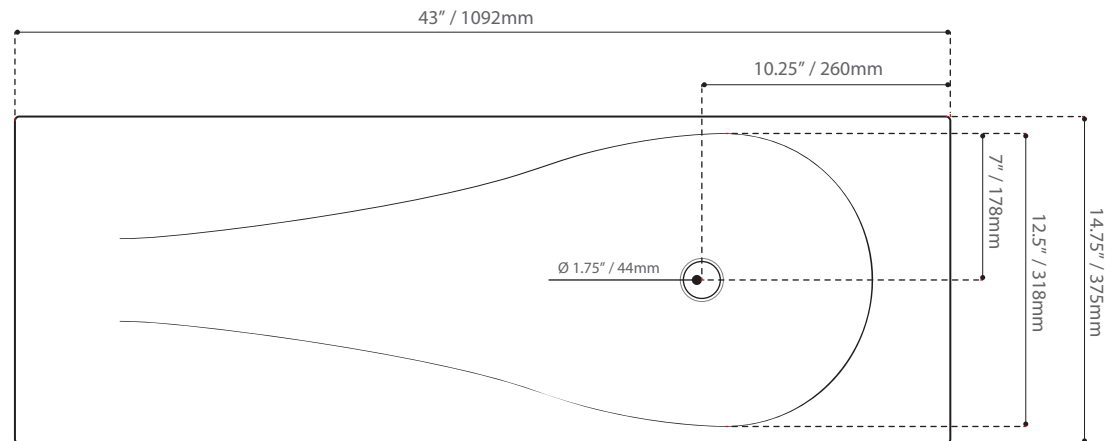
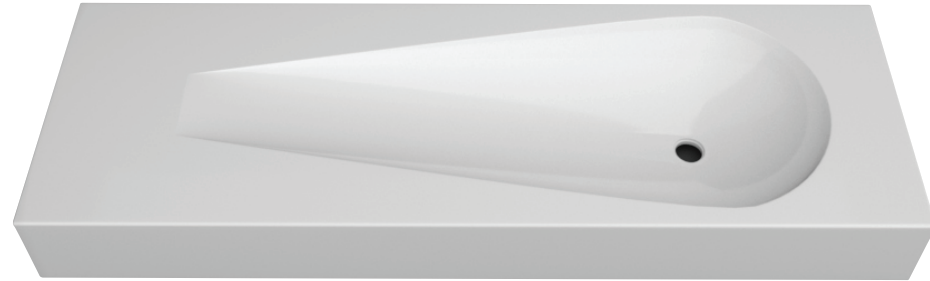
45" x 16" x 8"

Weight: 25 kg / 55 lbs

Faucet Hole Drilling Options

NH NO HOLE

1H ONE HOLE



Measurements may vary +/- 1/4"