



Product Specification Sheet

SRR23218A-10

Company name: Valley

Product Description

Undermount double-basin stainless steel sink.

Product weight: 11.4 kg / 25 lbs

Finishing Options

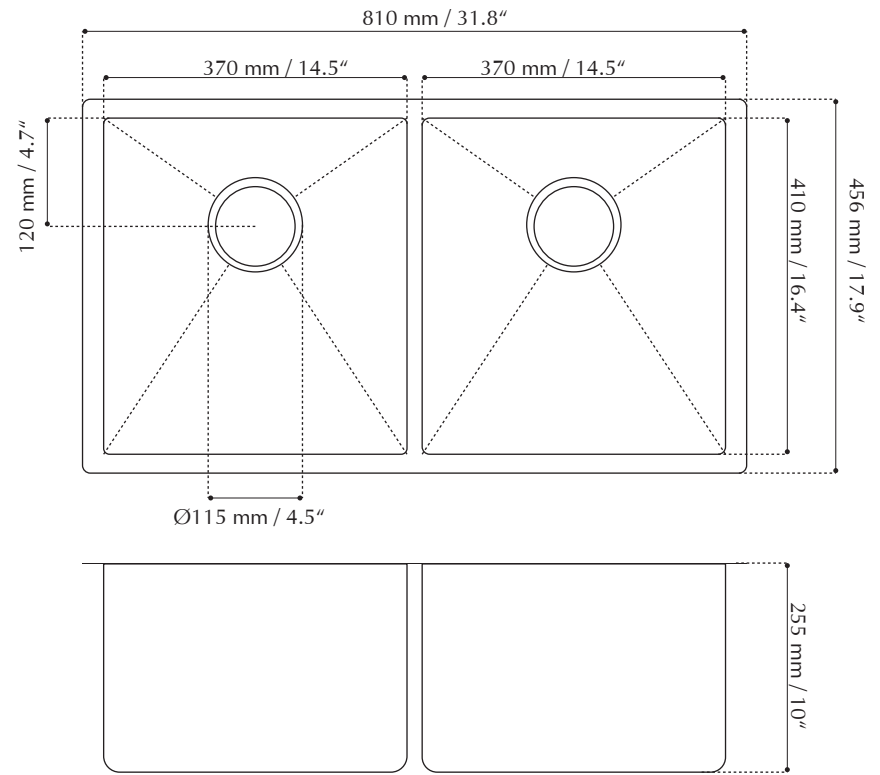


Stainless Steel

Shipment Information

Dimensions: 86.5 X 51 X 35cm
34" x 20" x 13.7"

Weight: 15.15 kg / 33.4 lbs



Measurements may vary +/- 1/4"