



Product Specification Sheet

SPINEL

Company name: Valley Acrylic

Product Description

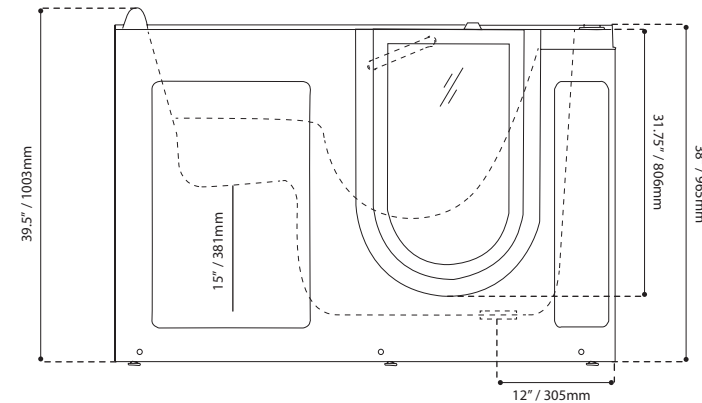
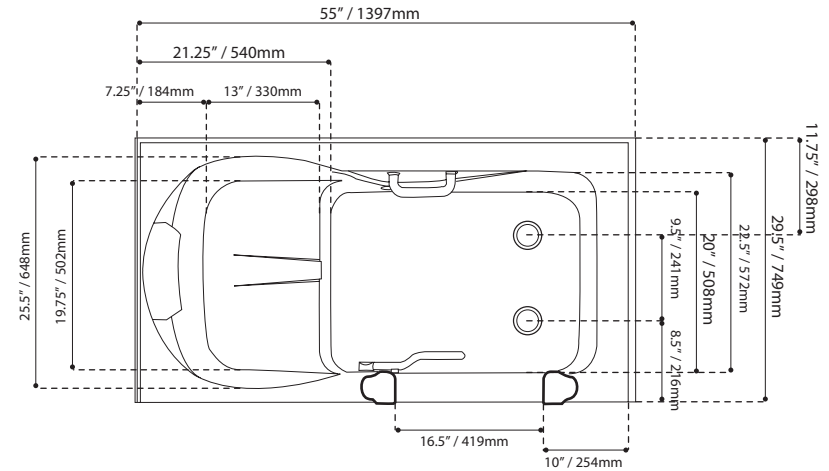
- ADA Compliant.
- High gloss / Crack-resistant acrylic.
- Will accommodate deck-mount tub filler.
- Sealed door.
- Dual drainage system.
- Textured bottom.
- Grab bar.
- Headrest.
- Complies with CSA & IAPMO standards.

Shipment Information

Dimensions: 154.9 x 86.4 x 106.7cm

61" x 34" x 42"

Weight: 97 kg / 214 lbs



Measurements may vary +/- 1/4"