



Product Specification Sheet

SPHENE 67

Reference number: EU8815FS

Product Description

- Modern Style.
- Deck Mounted Space.
- Integral slotted overflow & pop up drain included.
- High Gloss / Crack - resistant Acrylic.
- Complies with CSA & IAPMO standards
- 77 Gallons / 292 liters of water capacity



Finishing Options



Coordinating Items



EASY DRAIN (A10135)



ALLAIRE Freestanding Module (FSTM.188.600)

Waste overflow trim options:





Product Specification Sheet

Jetting options

- Lateral Air jets.
- Air illusion jets.
- Sante air jets.
- Square zen jets.
- Chromatherapy.
- Aromatherapy.
- Comfort Warm.

Required Jetting Electrical information

Blower:	Pump:	In-Line Heater:
• 120 V	• 110 V	• 110 V
• 60 Hz	• 60 Hz	• 60 Hz
• 12 amp.	• 15 amp.	• 15 amp.

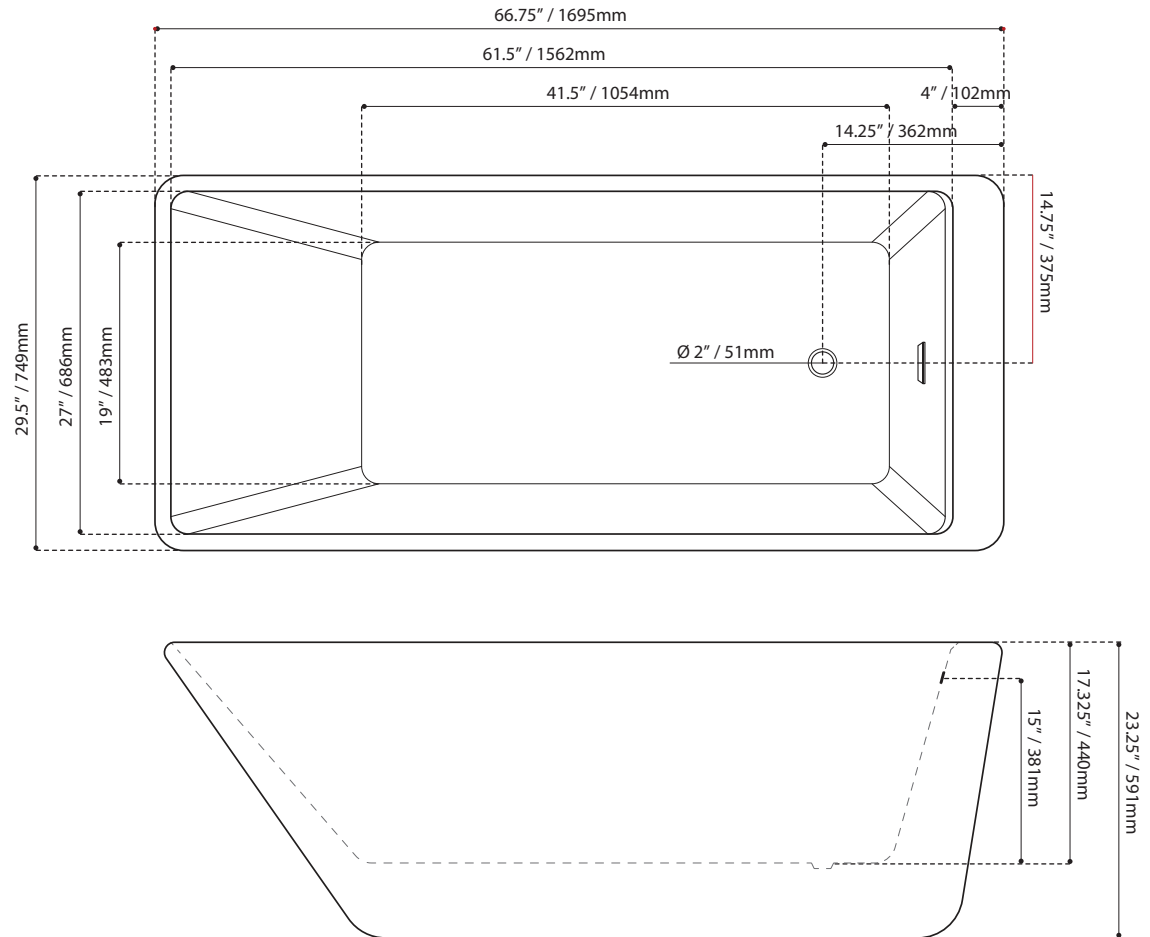
Shipping Information

Dimensions: 173 x 78 x 62cm
68" x 30.7" x 24.4"

Weight: 69 kg / 152 lbs

Tub Warranty

Valley Acrylic's Acrylic Freestanding bathtubs have a limited warranty for residential use for a period of original purchase date, against any failure from improper manufacturing defects.



DISCLAIMER:

Measurements may vary $\pm 1/4"$
(Diagram Not to scale)