



Product Specification Sheet

SOVANA

Company name: Valley

Reference number: 61.595.100

Product Description

- ADA Compliant.
- Brushed stainless steel finish.
- Dual pull-out spray head.
- Single lever water & temperature control.
- Pressure and leak tested.
- Resist discoloration and corrosion.
- Top-mount, single hole installation.
- 360 - degree swivel spout.
- Hot/Cold waterlines included
- Complies with CSA & IAPMO standards

Finishing Options

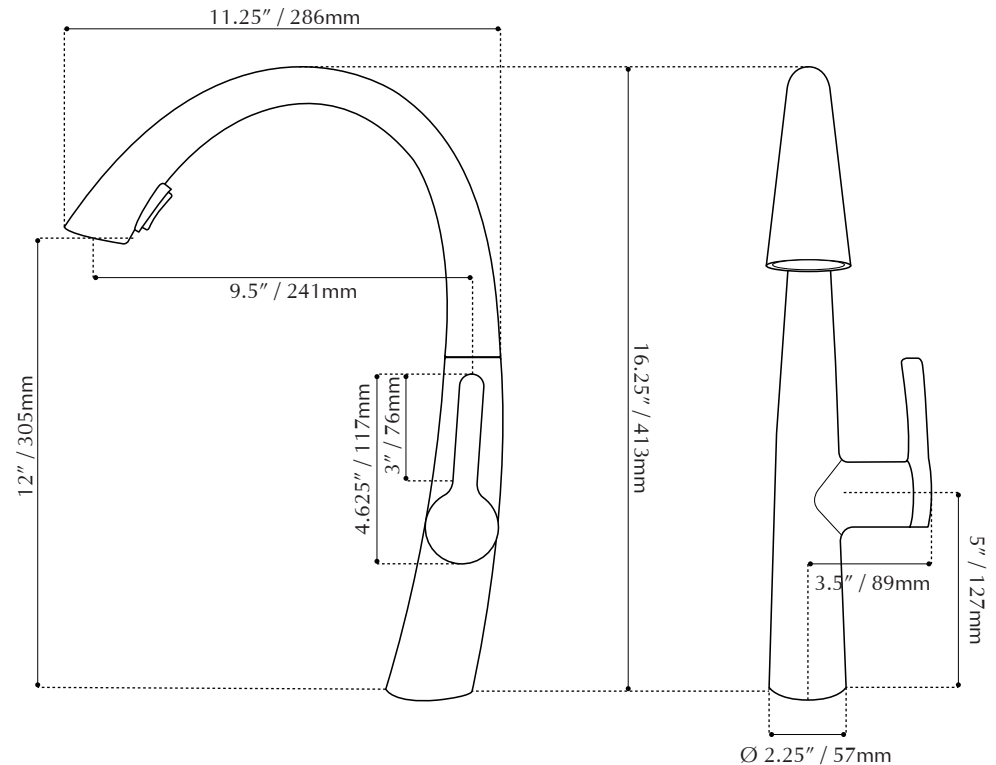


Stainless steel

Shipping Information

Dimensions: 62.2 x 33.7 x 8.9 cm
24.5 x 13.25 x 3.5"

Weight: 3.5 kg / 7.7 lbs



Measurements may vary +/- 1/4"