



# Product Specification Sheet

## OPAL

### Product Description

- Contemporary style.
- Integral slotted overflow & pop up drain included.
- High Gloss / Crack - resistant Acrylic.
- Complies with CSA & IAPMO standards
- 99.6 gal. 377 liters of water.

### Finishing Options



White

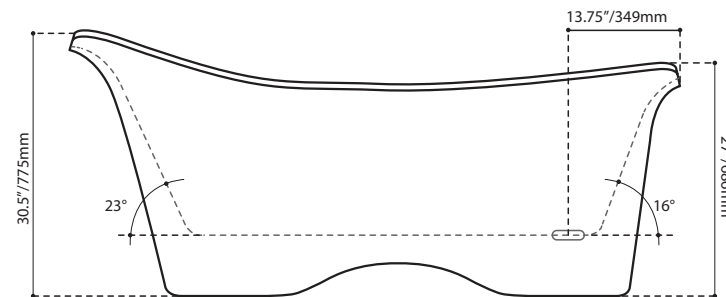
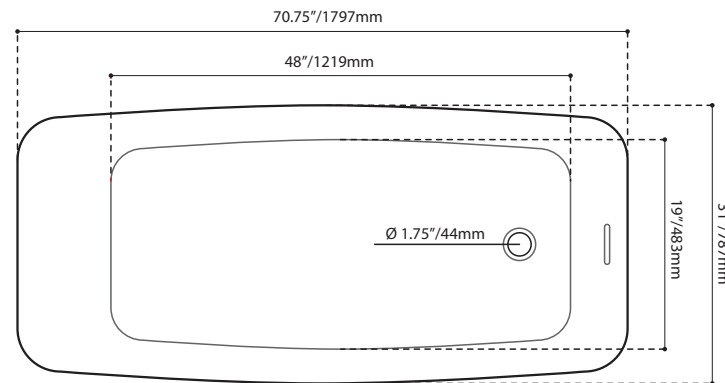
### Exterior colours.



### Shipping Information

**Dimensions:** 185.4 x 86.4 x 83.8cm  
73" x 34" x 33"

**Weight:** 65 kg / 143 lbs



Measurements may vary 5mm  
- Diagram NOT to scale -