

EASY DRAIN

Company name: Valley Acrylic
Reference number: EU10135

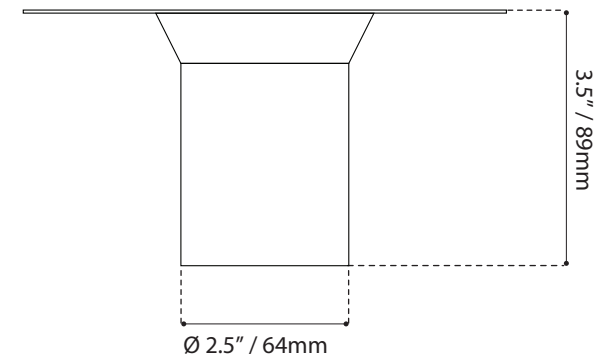
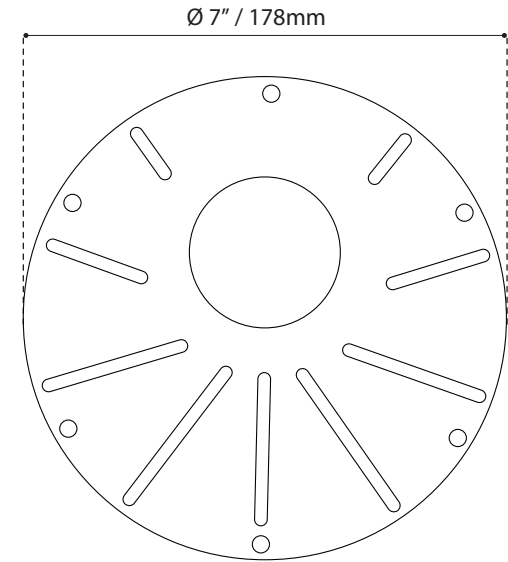
Product Description

- Quick, easy and clean process
- No access panel required.
- Needed for all freestanding bathtub installations.
- Allows for an installation as close to the wall as possible.
- Plate can be uninstalled if adjustments are needed.
- Fits with 1 1/2" male, 1 1/2" female or 1 1/2" threaded bathtub drains.
- Made in Canada.

Shipment Information

Dimensions: 21.6 x 20.3 x 11.4cm
 8.5" x 8" x 4.5"

Weight: 1.5 kg / 3.3 lbs



Measurements may vary +/- 1/4"