



# Product Specification Sheet

## EL9869-3 CH/SN

### Product Description

Elegant wall mounted 60W- A19 vanity light with frosted cup shape frosted glass shades. Available in Chrome and Satin Nickel finishes.

### Product Information

**Dimensions:** 610 x 220 x 220 cm / 24 x 8.6 x 8.6"

**Installation:** Wall mounted

**Light Source:** 60W-A19 Bulb

**Glass detail:** Bell cup glass shades

### Finishing Options



Chrome



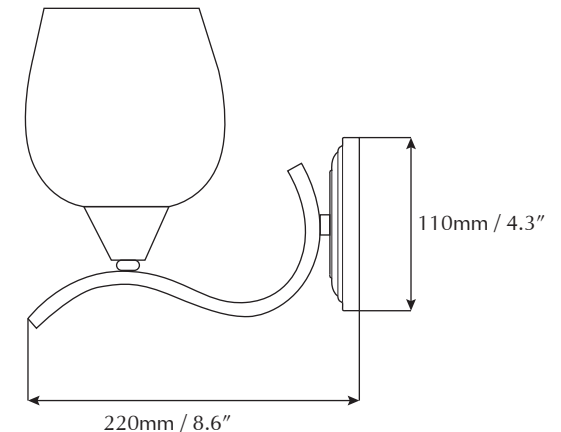
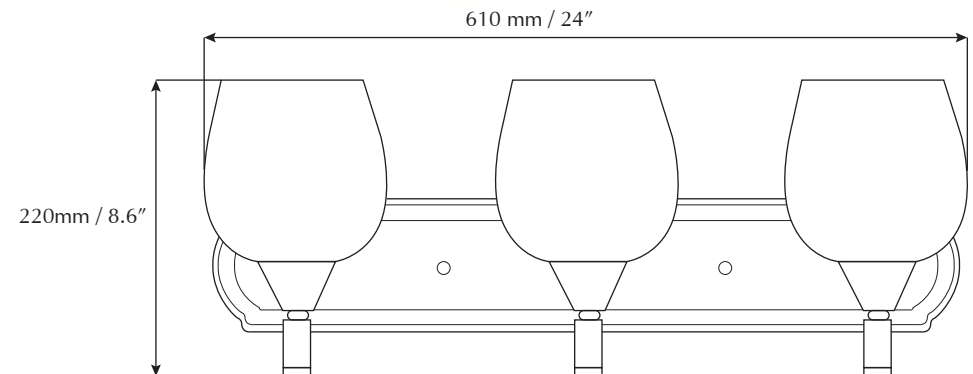
Satin Nickle

### Shipment Information CH/SN

**Dimensions:** 74 x 24.5 x 20 cm  
29" x 9.6" x 7.8"

**Net Weight:** 2.4 kg / 5.2 lbs

**Gross Weight:** 3.4 kg / 7.4 lbs



Measurements may vary +/- 1/4"