



# Product Specification Sheet

## EL96992-2 SN

### Product Description

Elegant and modern wall mounted dual light 60W-A 19 vanity light with frosted cup shape glass shades. Available in Satin Nickel finish.

### Product Information

**Dimensions:** 360 x 200 x 185 mm / 14.1 x 7.8 x 7.2"

**Installation:** Wall mounted

**Light Source:** 60W- A19 Bulb

**Glass detail:** frosted cup shape glass shades

### Finishing Options



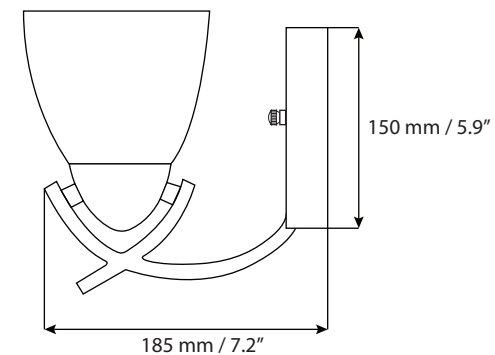
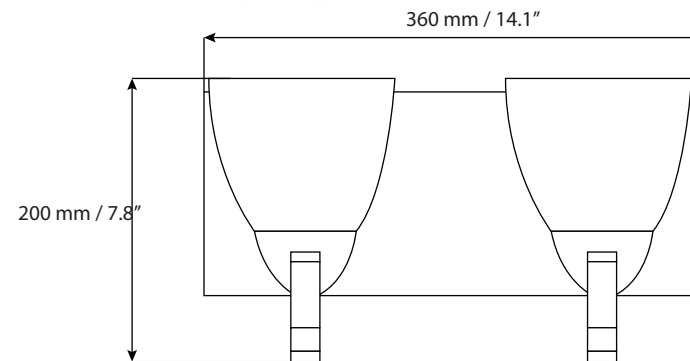
Satin Nickel

### Shipment Information SN

**Dimensions:** 48 x 20 x 20 cm  
18.8" x 7.8" x 7.8"

**Net Weight:** 1.8 kg / 3.9 lbs

**Gross Weight:** 2.5 kg / 5.5 lbs



Measurements may vary +/- 1/4"