



Product Specification Sheet

EL8293-3 CH/SN

Product Description

Elegant wall mounted 60W- A19 vanity light with smoke frosted cup shape glass shades. Available in Chrome and Satin Nickel finish.

Product Information

Dimensions: 640 x 220 x 280 mm / 25.2 x 8.7 x 11"

Installation: Wall mounted

Light Source: 60W-A19 Bulb

Glass detail: Cup shape glass shades smoke finish

Finishing Options



Chrome



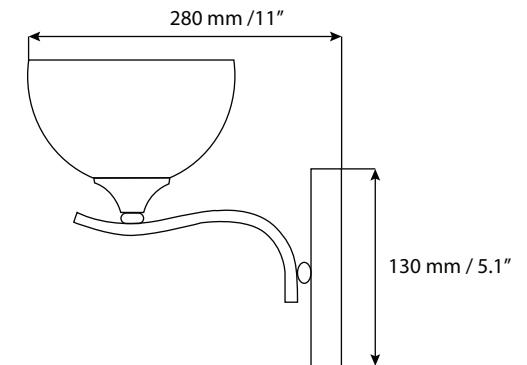
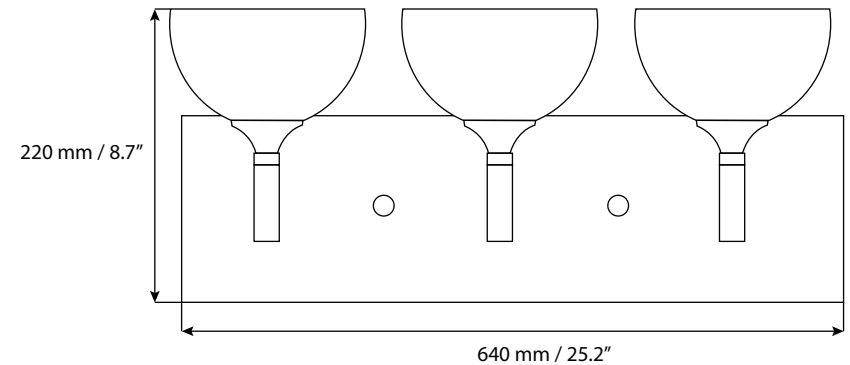
Satin Nickle

Shipment Information CH/SN

Dimensions: 74 x 21 x 23 cm
29.1" x 8.2" x 9"

Net Weight: 3.2 kg / 7 lbs

Gross Weight: 4.5 kg / 9.9 lbs



Measurements may vary +/- 1/4"